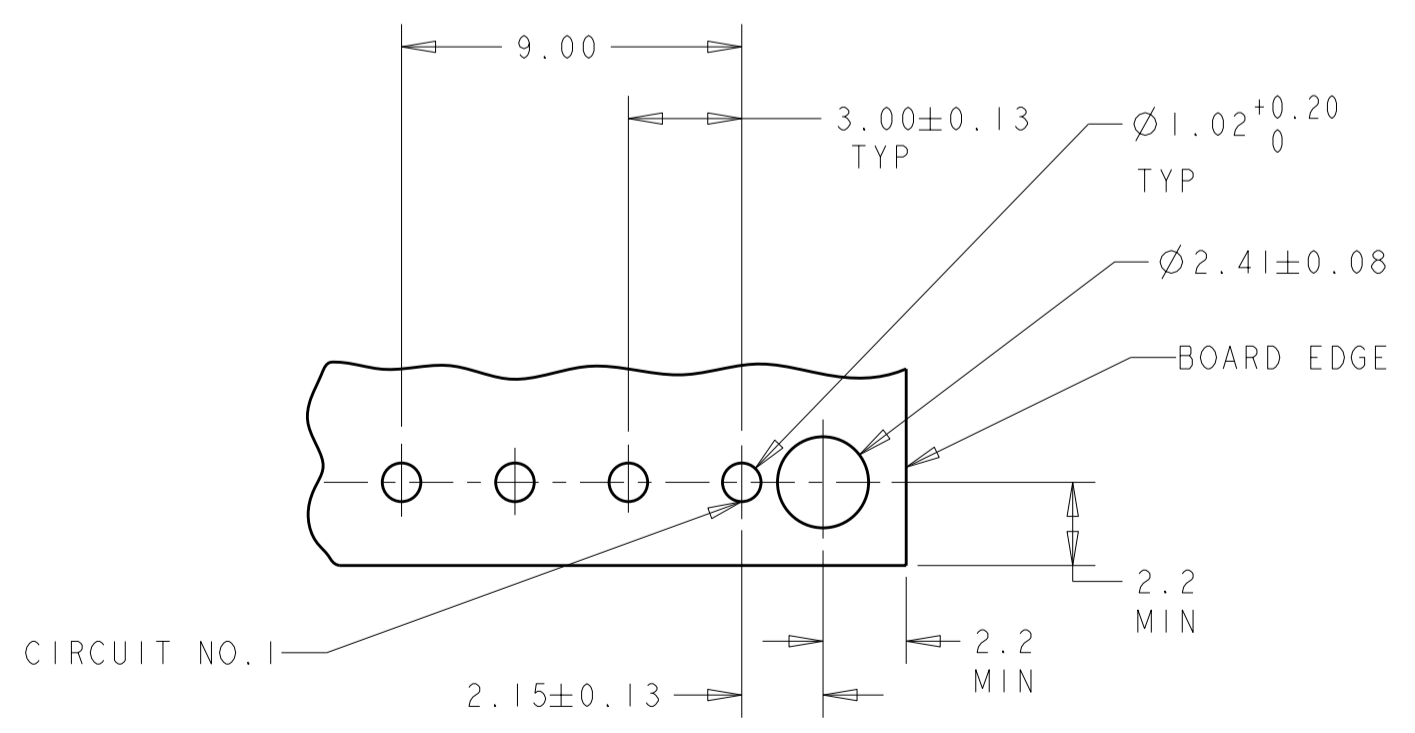
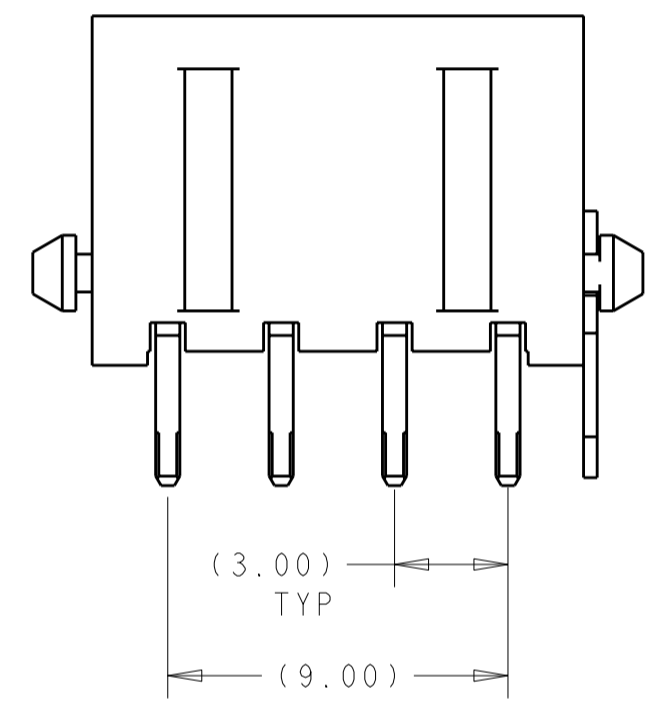
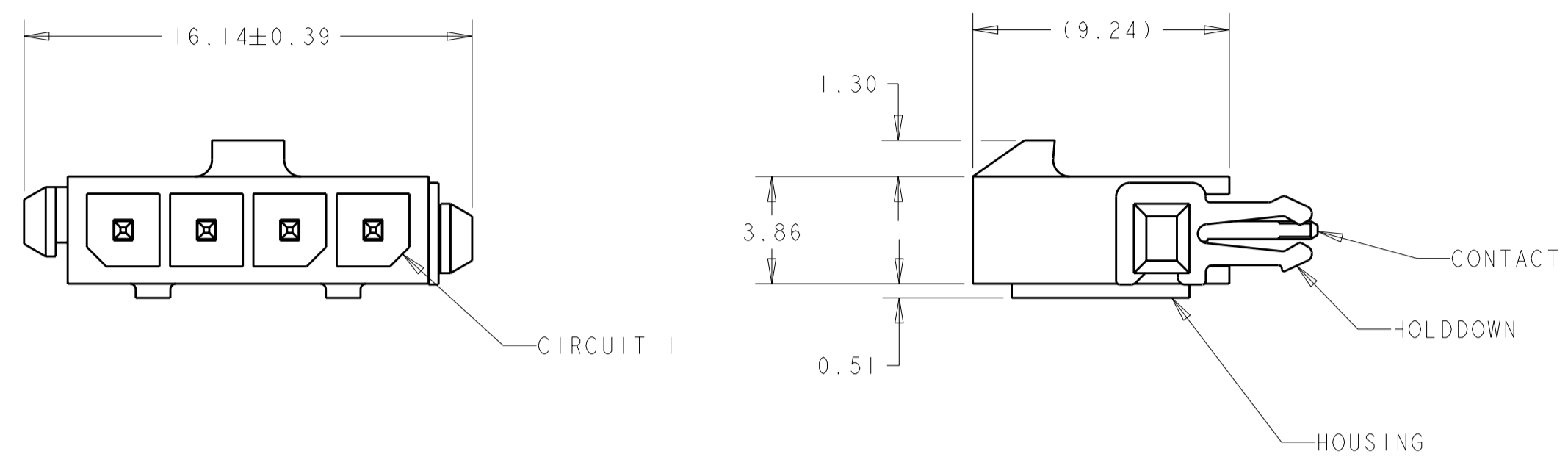


THIS DRAWING IS UNPUBLISHED. RELEASED FOR PUBLICATION 2012
 © COPYRIGHT 2012 Tyco Electronics AMP GmbH ALL RIGHTS RESERVED.

LOC	DIST	REVISIONS			
P	LTR	DESCRIPTION	DATE	DWN	APVD
CM	00	A1	REVISED PER ECR-12-007353	17MAY2012	KH TM



PCB LAYOUT COMPONENT SIDE 4

- 1 MATERIAL: CONTACTS - BRASS
HOUSING - UL 94V-0 RATED HIGH TEMP NYLON, COLOR BLACK.
HOLDDOWNS: - PHOSPHOR BRONZE.
- 2 PLATING: CONTACTS - 2.54µm MINIMUM TIN-LEAD OVER 1.27µm MINIMUM NICKEL.
HOLDDOWNS: 2.54µm MINIMUM MATTE TIN OVER 1.27µm MINIMUM NICKEL.
- 4 RECOMMENDED PC BOARD THICKNESS OF 1.57.
- 5 PLATING: CONTACTS - 2.54µm MINIMUM MATTE TIN OVER 1.27µm MINIMUM NICKEL.
HOLDDOWNS: 2.54µm MINIMUM MATTE TIN OVER 1.27µm MINIMUM NICKEL.
- 6 ROHS COMPLIANT.

6	5	2-794930-4
	2	794930-4
	FINISH	PART NUMBER

THIS DRAWING IS A CONTROLLED DOCUMENT.		DWN K. WHITAKER 17-MAY-2001	TE Connectivity	
DIMENSIONS: mm		CHK D. COLEY 17-MAY-2001		
TOLERANCES UNLESS OTHERWISE SPECIFIED:		APVD D. COLEY 17-MAY-2001	NAME VERTICAL THRU HOLE HEADER ASSY, TIN CONTACTS, WITH THRU HOLE HOLDDOWN, SINGLE ROW, MICRO MATE-N-LOK™	
0 PLC ± 1 PLC ± 2 PLC ±0.20 3 PLC ± 4 PLC ± ANGLES ± FINISH		PRODUCT SPEC -	SIZE A2	CAGE CODE 00779
MATERIAL 1 -		APPLICATION SPEC -	DRAWING NO. 794930	RESTRICTED TO -
SEE TABLE		WEIGHT -	SCALE 5:1 SHEET 1 OF 1 REV A1	
CUSTOMER DRAWING				