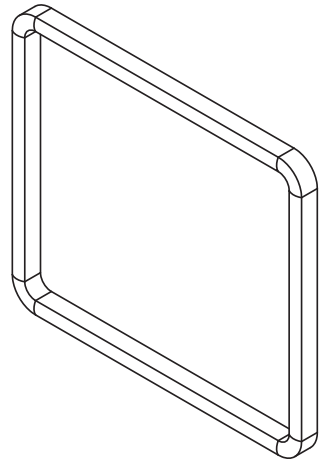
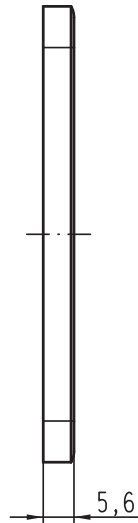
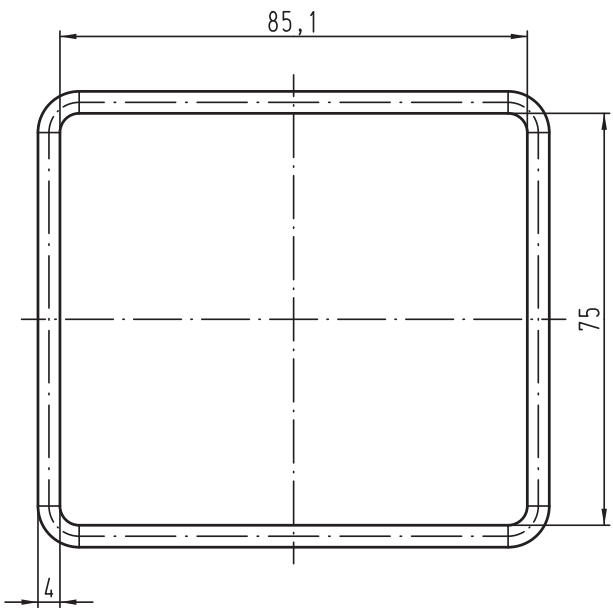




Alle Rechte vorbehalten/ All rights reserved



| | | | | | | | | |
|-----------------------------------------------------------------------------------------------------------------------------------|------|------|--------------------------------|----------|------|---------------------------------------------------------------------------------------------------------|--|--|
|  All Dimensions in mm Original Size DIN A 4 | | | Techn. Character. | | | Nicht tolerierte Maß/Free size tolerances | | |
| | | | | Dat. | Name | Maßstab/Scale | | |
| | | | Detail. | 14.04.11 | Spr | 1:1 | | |
| | | | Insp. | | Be | | | |
| | | | Stand. | | | | | |
| A | | | HARTING Electric GmbH & Co. KG | | |  TB 09 30 000 9963 | | |
| Mod. | Dat. | Name | D-32339 Espelkamp | | | | | |