



SUNON

SPECIFICATION FOR APPROVAL

CUSTOMER :
DESCRIPTION : AXIAL AC FAN
DIMENSIONS : 120X120X38 mm
MODEL : SP101A
P/N : 1123HBT
APPROVED NO :
 (AUTHORIZED)
APPROVED BY :



DAWN	<i>Yuehan 7/11</i>	CHKD.	<i>Shing</i>	APPD.		SPEC. NO.	A120024
						ISSUE DATE	05.10.1996
						EDITION	1
						REVISE DATE	03.11.1997
						E.SPEC	EA12003

建準電機工業股份有限公司

SUNONWEALTH ELECTRIC MACHINE INDUSTRY CO., LTD.

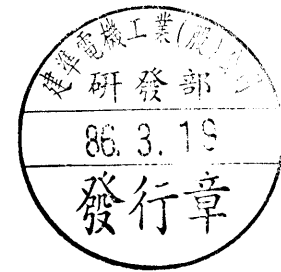
12FL., 120 CHUNG CHENG 1ST RD.,

TEL:886-7-7163069(41 LINES)

KAOSIUNG, TAIWAN, R. O. C.

FAX:886-7-7163086~89

AXIAL AC FAN
MODEL : SP101A
P/N : 1123HBT



CHARACTERISTICS

1. Motor Design : Reliable Shaded-Pole Motor Construction.
2. Insulation Resistance : 500 Megohms minimum at 500 VDC.
3. Dielectric Strength : 1500 VAC for one minute.
4. Motor Protection : Impedence protected.
5. Noise Level : Measured in an semi-anechoic chamber
with background noise level below 15
dBA. The fan is running in free air with
microphone at a distance of one meter
from the fan intake.
6. Air Performance : Measured by a double chamber. The value are
recorded when the fan speed is stabilized at
rated voltage.
7. Tolerances : +15% on rated power and current.

建準電機工業股份有限公司 SUNONWEALTH ELECTRIC MACHINE INDUSTRY CO., LTD	SPEC. NO.	A120024	REVISE DATE	03. 11. 1997
	ISSUE DATE	05. 10. 1996	EDITION	1
	PAGE	2 OF 6		

SPECIFICATIONS

MODEL: SP101A

P/N : 1123HBT

- | | | |
|-------------------------------------|----------|---|
| 1-1. Rated Voltage | : | 115/115 VAC 50/60 HZ |
| 1-2. Operating Voltage Range | : | 85-125 VAC |
| 1-3. Starting Voltage | : | 85 VAC |
| 1-4. Rated Speed | : | 2750/3050 RPM±7% |
| 1-5. Air Delivery | : | 87/107 CFM |
| 1-6. Static Pressure | : | 0.26/0.32 Inch-H₂O |
| 1-7. Rated Current | : | 0.21/0.18 AMP |
| 1-8. Input Power | : | 20/18 WATTS |
| 1-9. Noise Level | : | 45/50 dB(A) |
| 1-10. Direction of Rotation | : | Counter-clockwise viewed front fan blade |
| 1-11. Motor Protection | : | Impredance Protected |
| 1-12. Operating Temperature | : | -10 to +70 Deg.C |
| 1-13. Storage Temperature | : | -40 to +70 Deg.C |
| 1-14. Bearing System | : | Precise ball bearing system |
| 1-15. Weight | : | 550 g |
| 1-16. Safety | : | UL/CSA/TUV Approvals |
| 1-17. Vibration | : | Vibration of acceleration 1.5G and frequency 5~50~5Hz is applied in the 3directions(X,Y,Z) for 30 minutes,each direction at the cycle of 1 minute. |



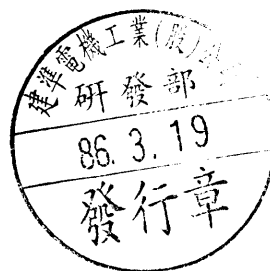
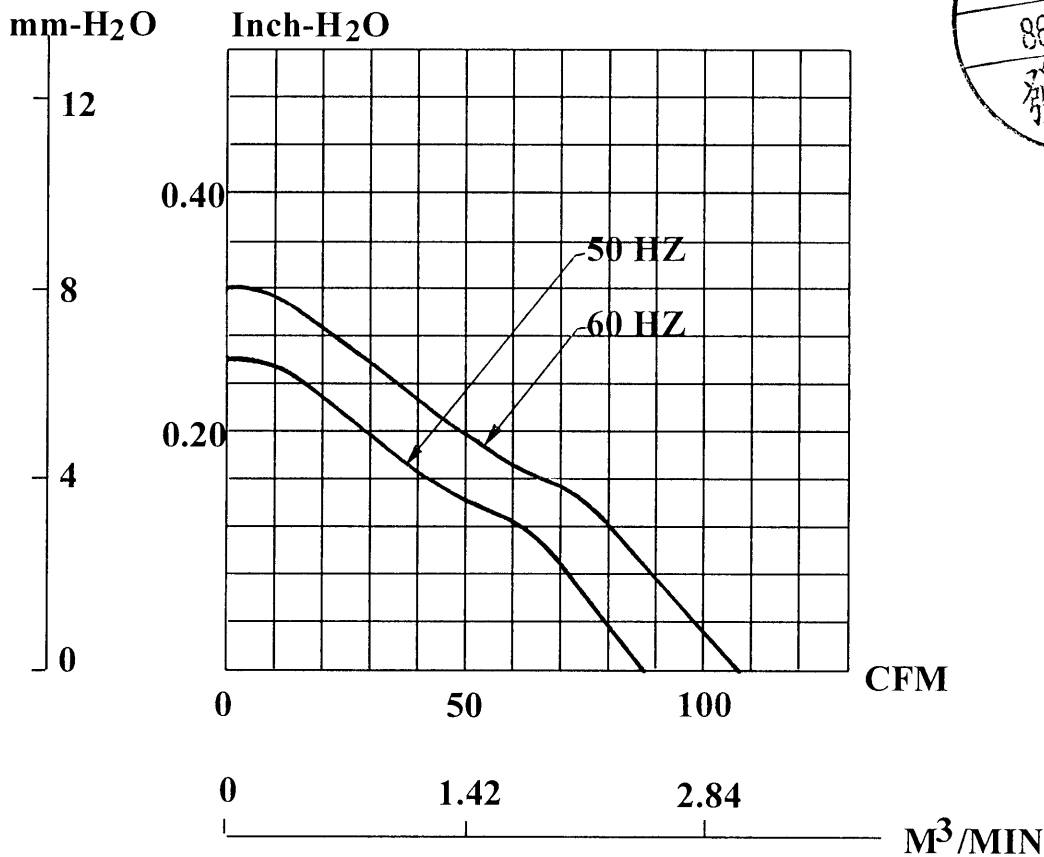
建準電機工業股份有限公司 SUNONWEALTH ELECTRIC MACHINE INDUSTRY CO., LTD	SPEC. NO.	A120024	REVISE DATE	03. 11. 1997
	ISSUE DATE	05. 10. 1996	EDITION	1
	PAGE	3 OF 6		

MODEL: SP101A

P/N : 1123HBT

PERFORMANCE CURVES

STATIC PRESSURE



建準電機工業股份有限公司 SUNONWEALTH ELECTRIC MACHINE INDUSTRY CO., LTD.	SPEC. NO.	A120024	REVISE DATE	03. 11. 1997
	ISSUE DATE	05. 10. 1996	EDITION	1
	PAGE	4 OF 6		

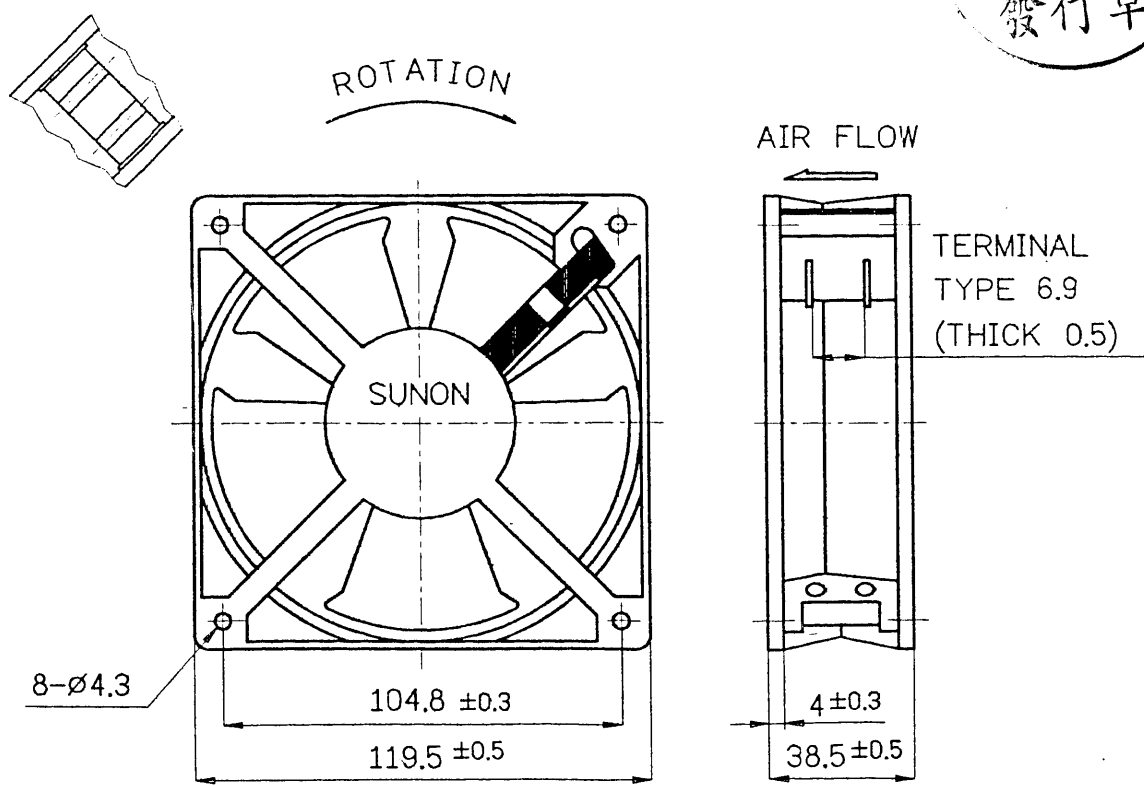
MATERIAL

2. Material

2-1. Frame : DIE-CAST ALUMINUM

2-2. Impeller : Thermoplastic PBT of UL 94V-0

DIMENSIONS



1. Air Flow Direction: Label side.

2. The Best Mounting Direction: In any orientation.

UNITS : mm

建準電機工業股份有限公司 SUNONWEALTH ELECTRIC MACHINE INDUSTRY CO., LTD	SPEC. NO.	A120024	REVISE DATE	03. 11. 1997
	ISSUE DATE	05. 10. 1996	EDITION	1
	PAGE	5 OF 6		



Notes

1. SUNON will not guarantee the products if the application of our products is exceeded the limitation which is specified on this specification.
2. In case of change of the specification specified on this document, a written notice is requested in advance.
3. Please do not touch the impeller with pressure and never bring the fan with lead wire. The bearings and lead wire may be damaged.
4. No guarantee on the products against the safety problem or failure caused by powder dust, drop of water or insect.
5. If there is any data or related documentation different from this data sheet, this data sheet is the principal reference.
6. For the purpose of MIS, please indicate SPEC No. on every order.
7. In case of the fan has no polarity protection function, wires with same color (electrode) must be connected together during the assembly. (i.e. red+red, black+black) or the fan will be damaged immediately.
8. Please do not use the fan in the environment of corrosive gas or liquid or any detrimental gas.
9. Please do not store the fan in the environment of high / low temperature, high humidity or any detrimental gas. Please store the fan within 6 months, every 6 months, there shall be a linkage of electric current to the fan, even though the fan is stored in room temperature.
10. While the fan is in operation, please do not lock the fan intentionally for a long period of time, since the continuous stoppage will result in over-heat and thus burn-out of the fan.
11. During the installation of the fan, please pay substantial attention to possible noise cause by resonance vibration and vibration.

建準電機工業股份有限公司 SUNONWEALTH ELECTRIC MACHINE INDUSTRY CO., LTD.	SPEC. NO.	A120024	REVISE DATE	03. 11. 1997
	ISSUE DATE	05. 10. 1996	EDITION	1
	PAGE	6 OF 6		