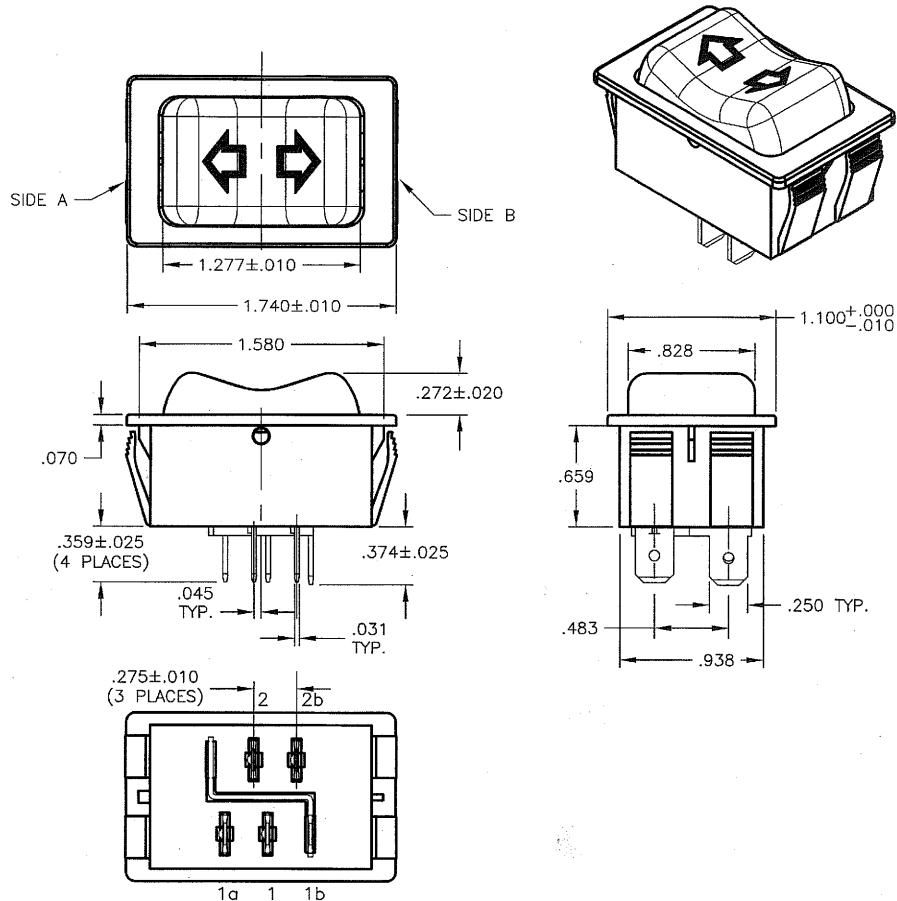


DIMENSIONS IN INCHES (MILLIMETERS)
DO NOT SCALE DRAWING

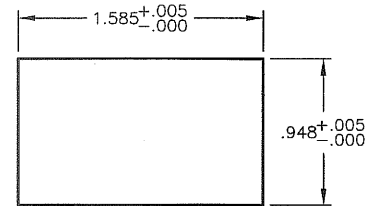
Dwg. No.
GRS-6024C-0005

E
D
C
B
A



ACTUATOR POSITION	CIRCUITS			
	1a-1	1-1b	1b-2	2-2b
CENTERED	CLOSED	OPEN	OPEN	CLOSED
DEPRESSED ON SIDE A	OPEN	CLOSED	OPEN	CLOSED
DEPRESSED ON SIDE B	CLOSED	OPEN	CLOSED	OPEN

Reversing Motor Circuit:
Terminals 1a & 2b ground
Terminal 1b power
Terminals 1 & 2 motor leads



PANEL OPENING

PANEL THICKNESS: .090

1 2 3 4 5 6 7 8 9 10

FORM-B3	REVISIONS	0 RELEASED DGW 11-14-2011 NOV 15 2011	<p>ATTENTION</p> <p>THIS DRAWING AND ITS ATTACHMENTS, IF ANY, ARE PROPRIETARY TO CW INDUSTRIES AND DESCRIBE DESIGNS THAT ARE CONFIDENTIAL AND MUST NOT BE DISCLOSED UNLESS AUTHORIZED, IN WRITING, BY AN OFFICER OF CW INDUSTRIES.....</p>				PDF File Made	<p>CW INDUSTRIES Southampton, Pa. 18966</p> <p><u>TOLERANCES UNLESS OTHERWISE SPECIFIED</u></p> <table border="0"> <tr> <td>2 Place Decimal ±.010</td> <td>METRIC</td> </tr> <tr> <td>3 Place Decimal ±.005</td> <td>1 Place Dec. ±.25mm</td> </tr> <tr> <td>Angles ±1°</td> <td>2 Place Dec. ±.13mm</td> </tr> </table>		2 Place Decimal ±.010	METRIC	3 Place Decimal ±.005	1 Place Dec. ±.25mm	Angles ±1°	2 Place Dec. ±.13mm	<p>Title: REVERSING SWITCH</p>	
	2 Place Decimal ±.010	METRIC															
	3 Place Decimal ±.005	1 Place Dec. ±.25mm															
	Angles ±1°	2 Place Dec. ±.13mm															
						<p>Made for:</p>		<p>Division: SWITCH</p>									
						<p>Drawn by: DGW 11-14-2011</p>		<p>Dwg. No. GRS-6024C-0005</p>									
						<p>Checked by: <i>G. Gold 11-14-11</i></p>											
						<p>Approval: <i>G. Gold 11-14-11</i></p>											

MASTER