

4

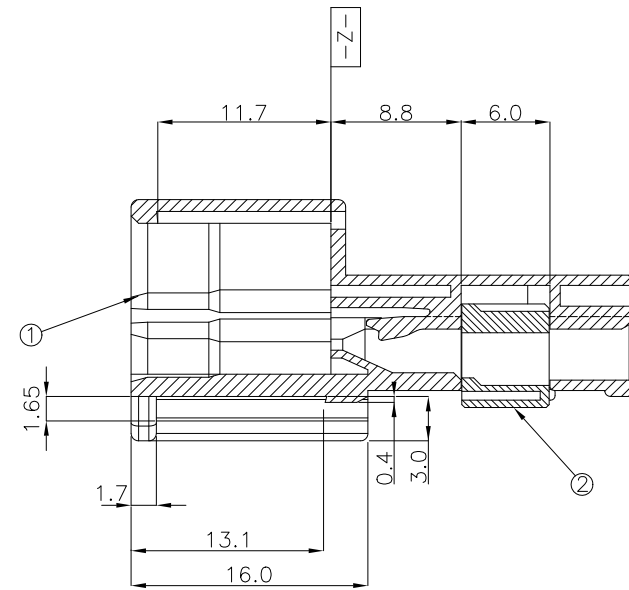
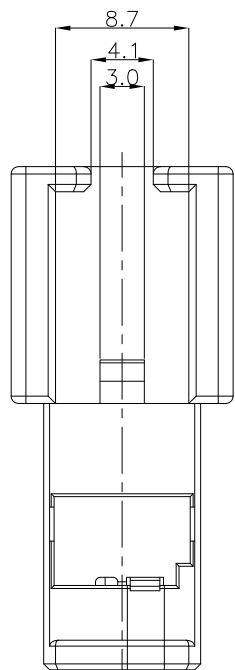
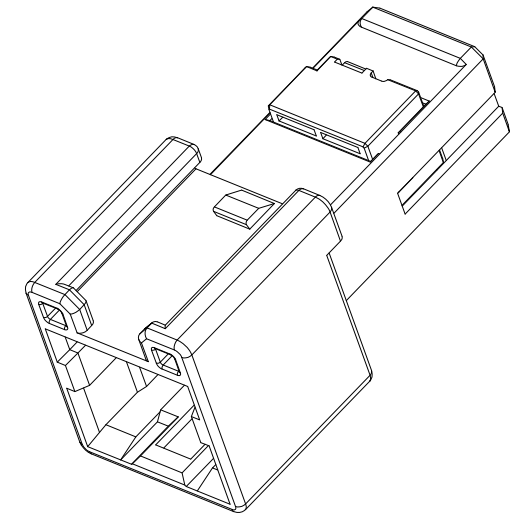
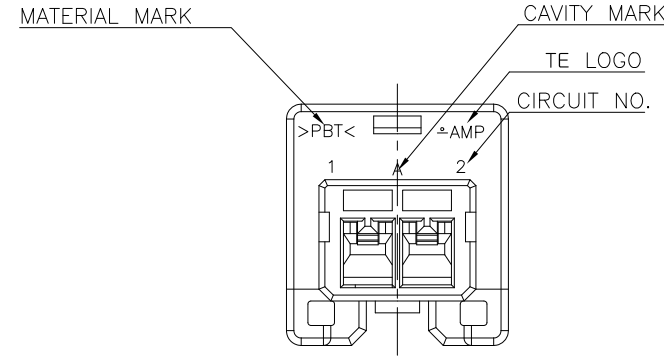
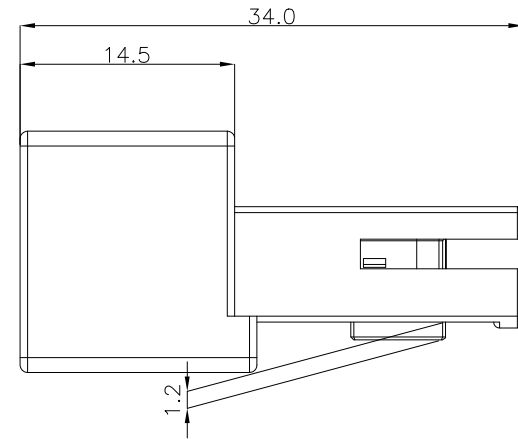
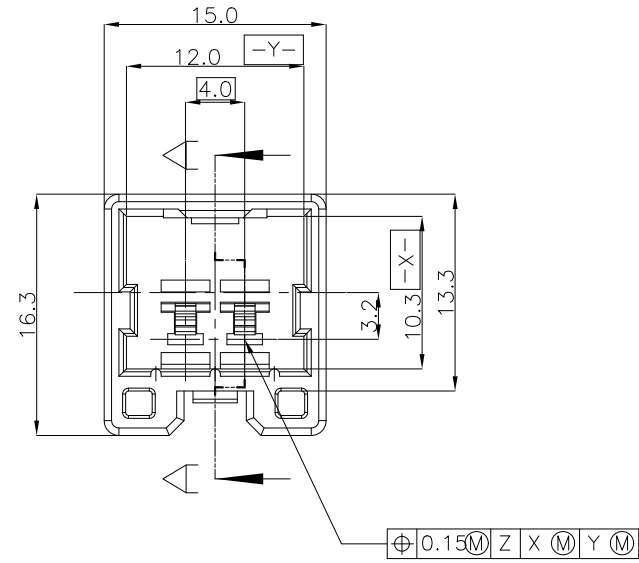
3

2

1

THIS DRAWING IS UNPUBLISHED. RELEASED FOR PUBLICATION
COPYRIGHT BY TYCO ELECTRONICS CORPORATION, ALL RIGHTS RESERVED.

LOC	DIST	REVISIONS					
		P	LTR	DESCRIPTION	DATE	DWN	APVD
DS	-		A	REVISED (FC00-0014-03)	28.JAN.'03	KTLIM	CS
			A1	REVISED (ECR-09-005035)	24.MAR.'09	KT	HG



NOTES.

- THE MATING HSG. P/N ; 936224
- APPLIED CONTACT P/N ; 090 II TAB. - 368086, 368087, 368088, 1897752

-주기-

- 상대 하우징 P/N. ; 936224
- 적용단자 P/N. ; 090 II TAB. - 368086, 368087, 368088, 1897752

ASSY P/N
0-936236-8
0-936236-5
0-936236-4
0-936236-3
0-936236-2
0-936236-1

NO	COLOR	MATERIAL	DESCRIPTION	P/N	QTY
1	BLUE	PBT	CAP	0-936237-8	1
	YELLOW	PBT	CAP	0-936237-5	1
	BROWN	PBT	CAP	0-936237-4	1
	D/GRAY	PBT	CAP	0-936237-3	1
	BLACK	PBT	CAP	0-936237-2	1
	NATURAL	PBT	CAP	0-936237-1	1
2	NATURAL	PBT	DBL	0-936226-1	1 1 1 1 1 1

SECTION A-A

DIMENSIONS: MM		TOLERANCES UNLESS OTHERWISE SPECIFIED:	
		0 <XX<10 ± 0.2 10<XX<30 ± 0.25 30<XX ± 0.3 ANGLES ± 3°	
MATERIAL		FINISH	
SEE TABLE			

THIS DRAWING IS A CONTROLLED DOCUMENT FOR TYCO ELECTRONICS CORPORATION IT IS SUBJECT TO CHANGE AND THE CONTROLLING ENGINEERING ORGANIZATION SHOULD BE CONTACTED FOR THE LATEST REVISION.

DWN: KT JUNG
CHK: JW JUNG
APVD: HG CHD
PRODUCT SPEC: -
APPLICATION SPEC: -
WEIGHT: -

Tyco Electronics AMP KOREA, Kyungsan, Korea

NAME: 090III 2P CAP ASS'Y

SIZE: A3 CAGE CODE: 00779 DRAWING NO: C-936236 RESTRICTED TO: -

CUSTOMER DRAWING SCALE: 2/1 SHEET: 1 OF 1 REV: A1