

Table with 4 columns: PART NUMBER, REV, FIRST USED, and UNIT. Rows include 1855522-1 through 1855522-5.

- 1 RECOMMENDED SPARE PARTS
2 ITEMS NOT SHOWN
3 TOL ±.25
4 TO RUN THIS APPLICATOR ON THE AMPOMATOR SEE DOC. PACKAGE ITEM 146.
5 USE SEALANT PN 1-23419-5 AS SHOWN
7 AFTER QUALIFICATION, DRILL AND PIN ITEM 2 TO ITEM 1 USING ITEM 169, 2 PLACES. (-4 ONLY)
8 GREASE LIGHTLY ITEMS 8 AND 9.
9 CANNOT RUN 2 WIRES ON LEADMAKER.

Table with columns: LOC, DIST, REVISIONS, DATE, DWN, APVO. Includes revision A and B.

CRIMPING DATA table with columns: PAD LETTER, CRIMP HEIGHT, WIRE SIZE, REF SETTING, and TERMINAL P/N. Includes rows for A, B, C, D and CRIMP, WIRE, INS., INSULATION.

Main parts list table with columns: QTY REQD PER ASSY, PART NO, DESCRIPTION, and ITEM NO. Rows 187-210.

Main parts list table with columns: QTY REQD PER ASSY, PART NO, DESCRIPTION, and ITEM NO. Rows 139-210.

Main parts list table with columns: QTY REQD PER ASSY, PART NO, DESCRIPTION, and ITEM NO. Rows 139-210.

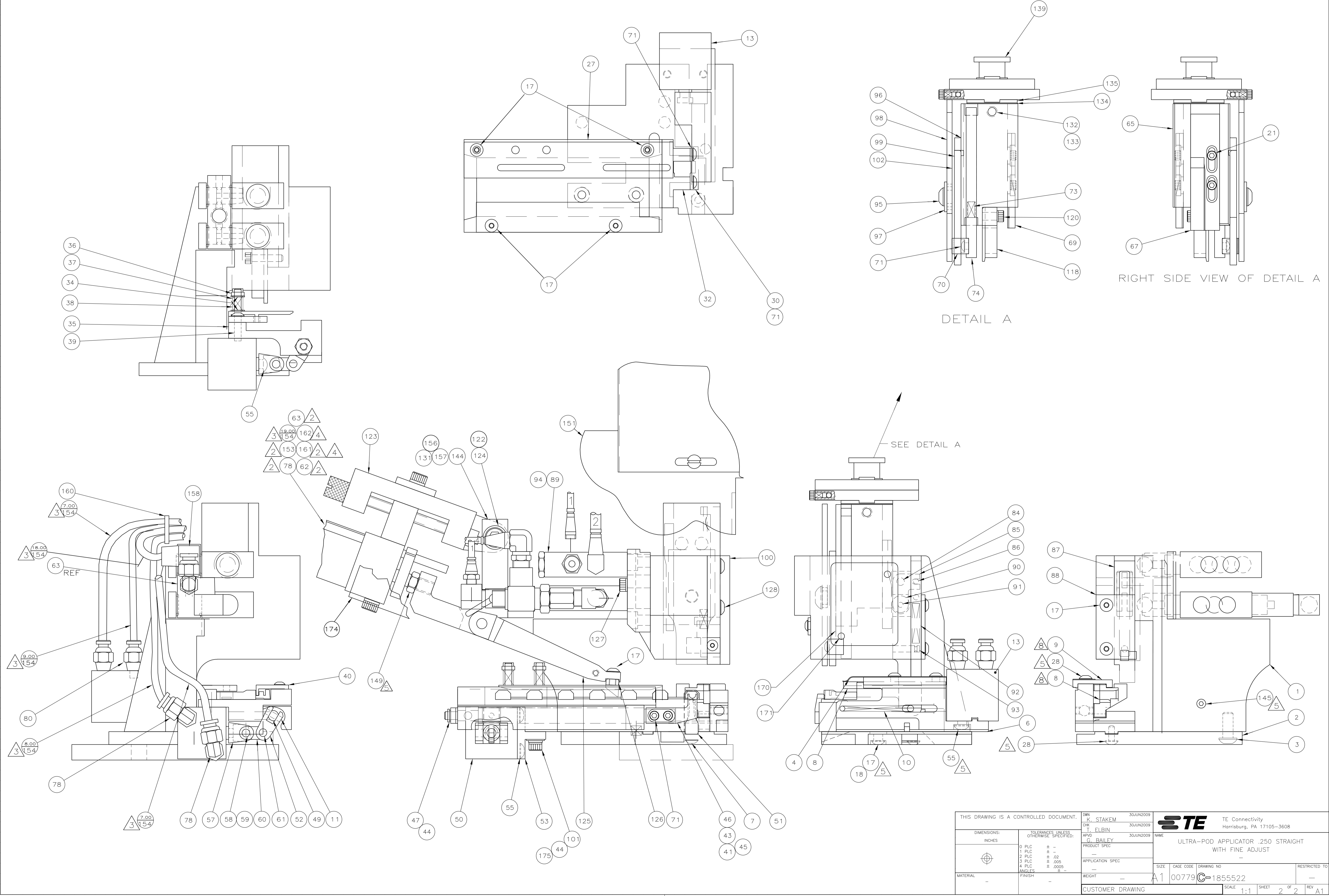
Summary table with columns: QTY REQD PER ASSY, PART NO, DESCRIPTION, and ITEM NO. Rows 211-214.

Summary table with columns: QTY REQD PER ASSY, PART NO, DESCRIPTION, and ITEM NO. Rows 211-214.

Summary table with columns: QTY REQD PER ASSY, PART NO, DESCRIPTION, and ITEM NO. Rows 211-214.

Technical drawing footer containing: THIS DRAWING IS A CONTROLLED DOCUMENT, DIMENSIONS, TOLERANCES, MATERIAL, FINISH, and TE Connectivity logo.

REVISEMENTS		DATE	DMN	APVO
LOC	DIST			
A	66			
F LTR	DESCRIPTION			
-	SEE SHEET 1		-	-



DETAIL A

RIGHT SIDE VIEW OF DETAIL A

SEE DETAIL A

THIS DRAWING IS A CONTROLLED DOCUMENT.		DWN K. STAKEM 30JUN2009	TE Connectivity Harrisburg, PA 17105-3608
DIMENSIONS: INCHES		CHK T. ELBIN 30JUN2009	
DIMENSIONS: INCHES 0 PLC ± - 1 PLC ± - 2 PLC ± .02 3 PLC ± .005 4 PLC ± .0005 ANGLES ± -		APVO G. BAILEY 30JUN2009	NAME ULTRA-POD APPLICATOR .250 STRAIGHT WITH FINE ADJUST
MATERIAL		APPLICATION SPEC - WEIGHT - CUSTOMER DRAWING	SIZE A1 CASE CODE 00779 DRAWING NO. 1855522
		SCALE 1:1	RESTRICTED TO SHEET 2 OF 2 REV A1