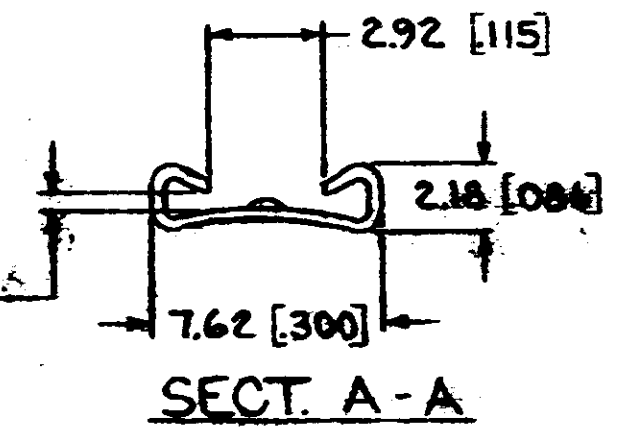
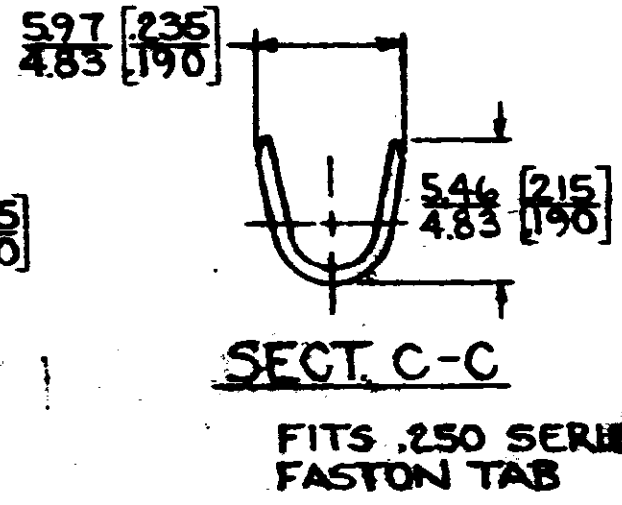
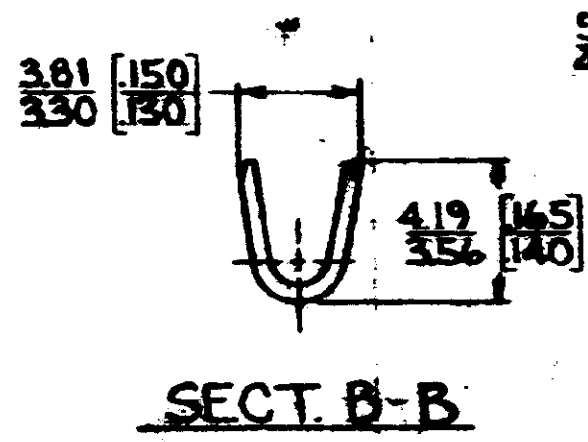
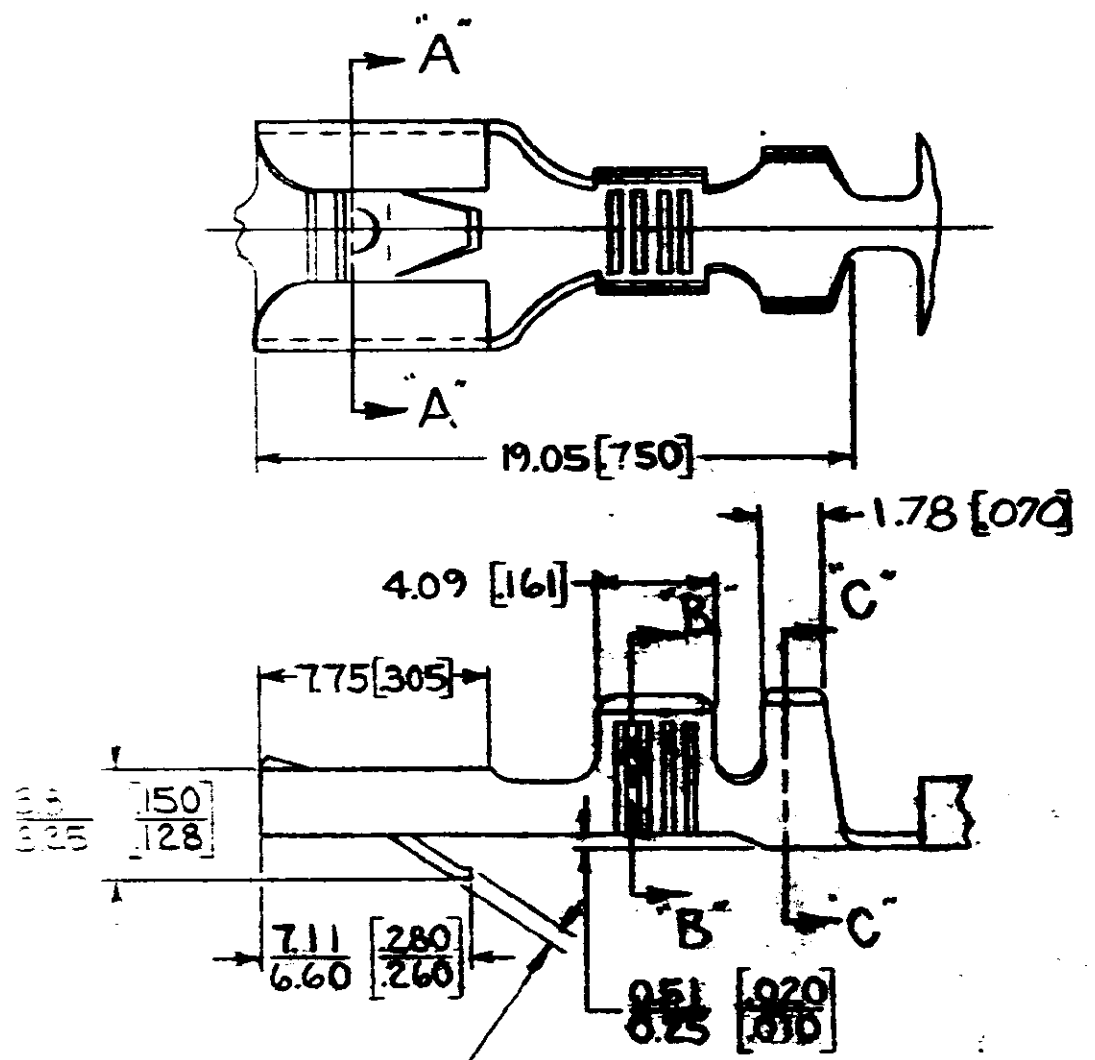


THIS DRAWING IS UNPUBLISHED. RELEASED FOR PUBLICATION . 19
 COPYRIGHT 1981 BY AMP INCORPORATED, HARRISBURG, PA. ALL INTERNATIONAL RIGHTS RESERVED. AMP PRODUCTS MAY BE COVERED BY U.S. AND FOREIGN PATENTS AND/OR PATENTS PENDING.

REVISIONS						
P	F	ZONE	LTR	DESCRIPTION	DATE	APPROVED
			0	Rel.		
			A	OBS. -2	AF-3480	6-10-88 LS/49



NOTE:
 CONTINUOUS STRIP ON REELS.
 DIMS. IN BRACKETS ARE IN INCHES.

FIN				63418-2
NONE	0.81 ^{+0.05} [032 ^{+0.001}]	08-20 ^{mm} [18-14] OR (2) 08 ^{mm} [18]	2.29-4.45 [090-.175] OR 2.5 [100]	63418-1
FINISH	TAB THK.	WIRE RANGE	INSULATION RANGE	PART NO.

UNLESS OTHERWISE SPECIFIED DIMENSIONS ARE IN MILLIMETERS. TOLERANCES ON: DECIMALS ±0.30 [015] ANGLES ±

MATERIAL 0.41 [016] THK. BRASS

FINISH SEE TABLE

CONTRACT NO
 DP JRP 1-15-86
 CHK G Yuter 1/20/86
 APD C. Meyer 1-20-86
 APPD G Kudo 1-20-86

AMP | AMP INCORPORATED
 Harrisburg, Pa.

250-SERIES FASTIN FASTON RECEPTACLE

NAME: 250-SERIES FASTIN FASTON RECEPTACLE

SIZE: B PSCM NO: 00779 DRAWING NO: 63418

SCALE: NTS SHEET: 1 of 1



CUSTOMER DRAWING