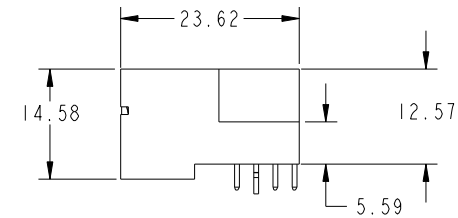
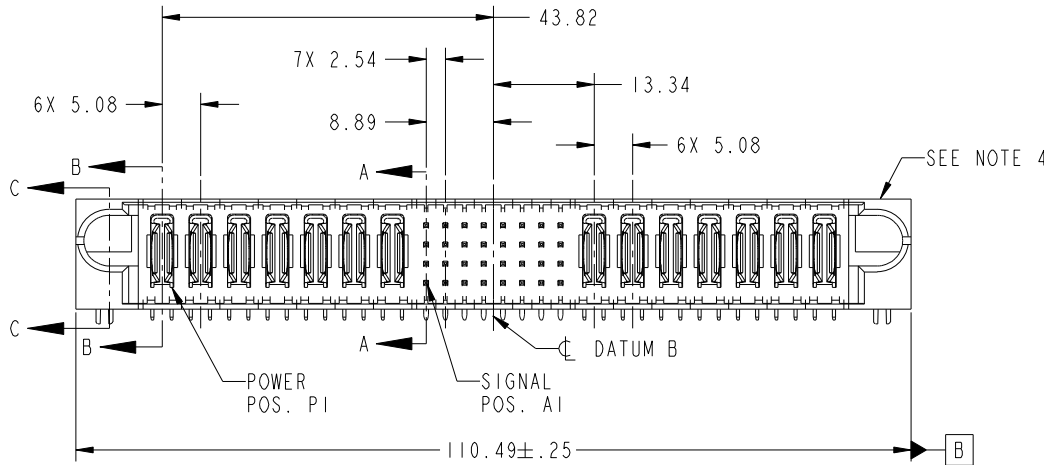
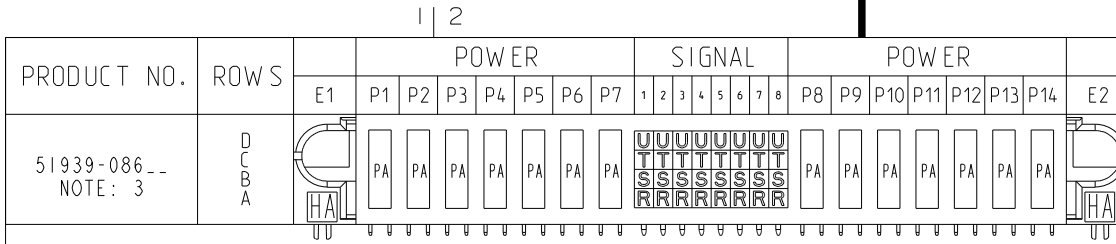


Tous droits strictement reserves. Reproduction ou communication a des tiers interdite sous quelque forme que ce soit sans autorisation ecrite du proprietaire. Propriete de c.FCI. Droits de reproduction FCI.

All rights strictly reserved. Reproduction or issue to third parties in any form whatever is not permitted without written authority from the proprietor. Property of FCI. Copyright FCI.



CODE	DIM "M" MATING LENGTH	CONTACT TYPE
R	[6.86]	SIGNAL
S	[6.86]	SIGNAL
T	[6.86]	SIGNAL
U	[6.86]	SIGNAL
PA	[N/A]	POWER
HA	[N/A]	HOLD-DOWN

mat'l code				SEE NOTE		tolerances unless otherwise specified	
ltr	ecn no.	dr	date	linear	angles		
A	V03-1128	TAB	10/20/03	0.X ± 0.5			
B	DG05-0171	GuoJM	06/19/05	0.XX ± 0.25			
C	DG05-0435	SW	11/03/05	0.XXX ± 0.10	0° ± 2°		
D	DG07-0498	JW	09/15/08				
				dr	T. BRUNGARD	10/20/03	
				enrg	M. GRAY	10/20/03	
				chr	M. GRAY	10/20/03	
				appd	M. GRAY	10/20/03	
sheet index	revision sheet	D 1	D 2	D 3	D 4		

CUSTOMER		FCI	
COPY		www.fciconnect.com	
projection		title	7P + 32S + 7P RIGHT ANGLE SOLDER HEADER
product family	PwrBlade	code	213
size	A	dwg no	51939-086
scale	1:1	sheet	1 of 4

A

B

1 | 2

3 |

4

A

B

Pro/E

PDM: Rev:D

STAT: Released

Printed: Dec 20, 2010

cage code 28516

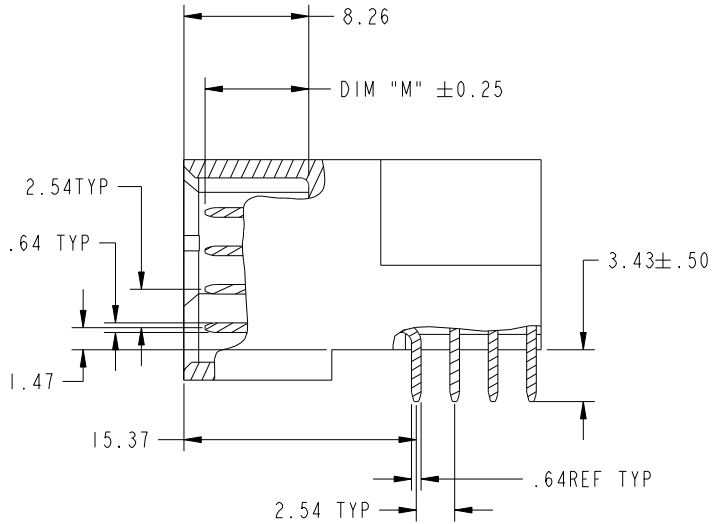
Tous droits strictement réservés. Reproduction ou communication a des tiers interdite sous quelque forme que ce soit sans autorisation écrite du propriétaire. Propriété de c.FCI. Droits de reproduction FCI.

All rights strictly reserved. Reproduction or issue to third parties in any form whatever is not permitted without written authority from the proprietor. Property of FCI. Copyright FCI.

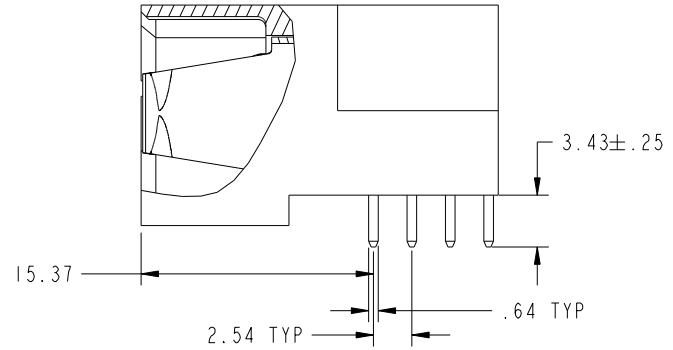


PRODUCT NUMBER

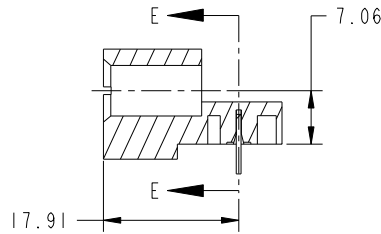
51939-086--
NOTE: 3



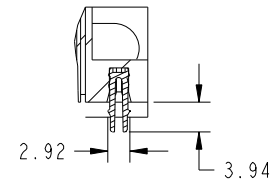
BROKEN-OUT SECTION A-A
SCALE 2:1



BROKEN-OUT SECTION B-B
SCALE 2:1



SECTION C-C



SECTION E-E

mat'l code		SEE NOTE		tolerances unless otherwise specified		CUSTOMER		 www.fciconnect.com	
lir	ecn no.	dr	date	linear	0.X ±0.5	COPY		title	
D					0.XX ±0.25	projection		7P + 32S + 7P	
				angles	0.XXX ±0.10			RIGHT ANGLE SOLDER HEADER	
				dr	0° ±2°			product family	
				enrg	T. BRUNGARD 10/20/03	MM		PwrBlade	
				chr	M. GRAY 10/20/03	1:1		code	
				appd	M. GRAY 10/20/03			213	
sheet index		revision sheet						size	
								dwg no	
								A 51939-086	
								sheet	
								2	
								cage code	
								28506	

A

A

B

B

1 | 2

3

4

1 | 2

Pro/E

PDM: Rev:D

STATUS: Released

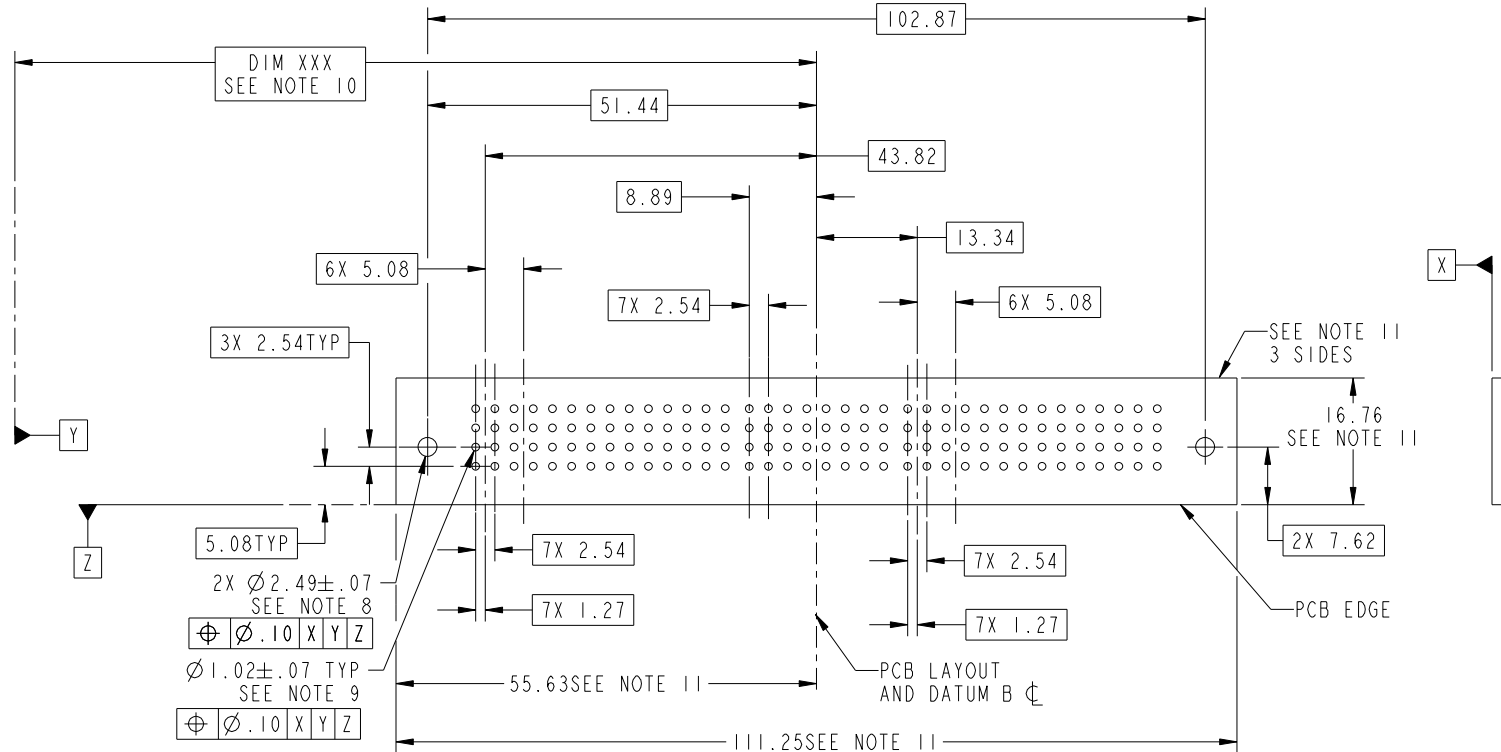
Printed: Dec 20, 2010

Tous droits strictement reserves. Reproduction ou communication a des tiers interdite sous quelque forme que ce soit sans autorisation ecrite du proprietaire. Propriete de c.FCI. Droits de reproduction FCI.



All rights strictly reserved. Reproduction or issue to third parties in any form whatever is not permitted without written authority from the proprietor. Property of FCI. Copyright FCI.

PRODUCT NUMBER
51939-086--
NOTE: 3



RECOMMENDED PCB LAYOUT

mat'l code		SEE NOTE		tolerances unless otherwise specified		CUSTOMER		www.fciconnect.com	
lir	ecn no.	dr	date	linear	0.X ± 0.5		COPY		title 7P + 32S + 7P RIGHT ANGLE SOLDER HEADER
D					0.XX ± 0.25		projection		
					0.XXX ± 0.10				
				angles	0° ± 2°				product family PwrBlade
		dr	T. BRUNGARD	10/20/03	MM		size		code 213
		enrg	M. GRAY	10/20/03	1:1		dwg no		sheet 3
		chr	M. GRAY	10/20/03			A		51939-086
		appd	M. GRAY	10/20/03					
sheet index	revision sheet								

cage code 28506

Pro/E

PDM: Rev: D

STATUS: Released

Printed: Dec 20, 2010

Tous droits strictement reserves. Reproduction ou communication a des tiers interdite sous quelque forme que ce soit sans autorisation écrite du propriétaire. Propriete de c.FCI. Droits de reproduction FCI.

All rights strictly reserved. Reproduction or issue to third parties in any form whatever is not permitted without written authority from the proprietor. Property of FCI. Copyright FCI.



1 | 2

3

4

PRODUCT NUMBER

51939-086--
NOTE: 3

NOTES:

1. DIMENSIONS AND TOLERANCES ARE IN ACCORDANCE WITH ASME Y14.5M, 1994 UNLESS OTHERWISE SPECIFIED.

CONNECTOR NOTES:

2. HOUSING MATERIAL: UL 94 V-0 GLASS FILLED HIGH-TEMP THERMOPLASTIC
POWER CONTACT MATERIAL: COPPER ALLOY
SIGNAL PIN MATERIAL: COPPER ALLOY

3. PLATING:
SEE ITEM 1&2 IN PRINT 10064183 FOR PLATING SPEC OF 51939-086; 51939-086LF

4. MANUFACTURER'S NAME, P/N, AND DATE CODE TO APPEAR ON THIS SURFACE.

5. PRODUCT SPECIFICATION GS-12-149.
APPLICATION SPECIFICATION BUS-20-067.

6. PACKAGED IN TRAYS.

PCB NOTES:

7. ALL HOLE DIAMETERS ARE FINISHED HOLE SIZE.

8. MOUNTING HOLES, WHERE APPLICABLE, ARE UNPLATED.

9. $\varnothing 1.151 \pm 0.025$ DRILLED HOLES PLATED WITH 0.008 MIN SnPb OR Sn OVER 0.03 TO 0.08 Cu PLATING TO ACHIEVE $\varnothing 1.02 \pm .07$ HOLE.

10. "DIM XXX" TO BE DETERMINED BY THE CUSTOMER.

11. CONNECTOR KEEP-OUT ZONE.

12. A Δ SYMBOL WILL BE NEXT TO ANY DIMENSION, VIEW, OR NOTE WHICH HAS BEEN MODIFIED WITH THE CURRENT DRAWING REVISION.

mat'l code				SEE NOTE		tolerances unless otherwise specified		CUSTOMER		www.fciconnect.com	
lir	ecn no.	dr	date	linear	0.X ± 0.5		COPY			title	
0					0.XX ± 0.25		projection			7P + 32S + 7P	
					0.XXX ± 0.10					RIGHT ANGLE SOLDER HEADER	
				angles	0° $\pm 2^\circ$		MM		product family PwrBlade		code
				dr	T. BRUNGARD	10/20/03			size		213
				enrg	M. GRAY	10/20/03	1:1		dwg no		sheet
				chr	M. GRAY	10/20/03	A		51939-086		4
				appd	M. GRAY	10/20/03					
sheet index	revision sheet										

A

A

B

B

1 | 2

Pro/E

PDM: Rev:D

STATUS: Released

Printed: Dec 20, 2010

cage code 28506

4