

DESCRIPTION: 5W5 Male Connector -40 Amp Contact

Specification:

Shell: Steel, Tin Plated

Insulator: PBT +30% Fibre-Glass, Black,
UL 94V-0

Contacts: Brass - Gold Flash over Nickel

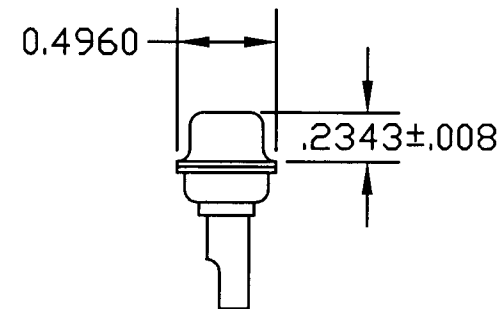
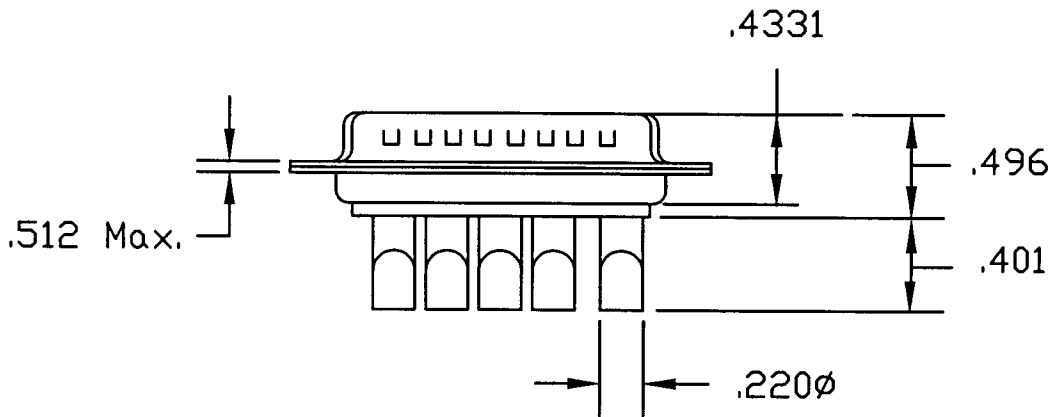
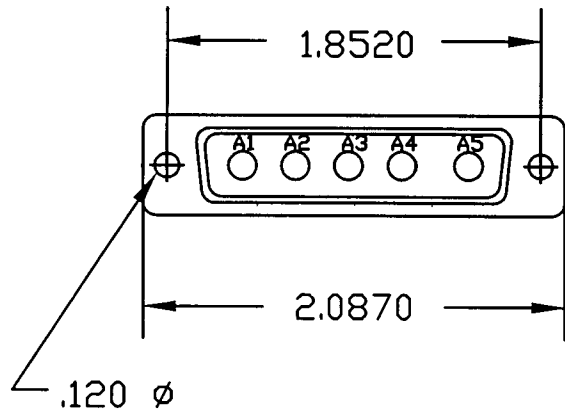
Current Rating: Power - 40 Amps

Contact Resistance: 15 mΩ MAX.

Insulator Resistance: 1000 MΩ MIN.

Voltage: 500V AC for 1 minute

Temperature: -50°C to +100°C



THESE DRAWINGS AND SPECIFICATIONS ARE THE PROPERTY OF NorComp AND SHALL NOT BE REPRODUCED, COPIED OR USED AS THE BASIS FOR THE MANUFACTURE OF SALE OF APPARATUS WITHOUT WRITTEN PERMISSION.

DRAWN:
PAM JENKINS

DATE:
3-30-01

CHECKED:

DATE:

NorComp

SCALE:	SHEET 1 OF 1	REV 1
--------	--------------	-------

DWG NO. 680-5W5-102-401