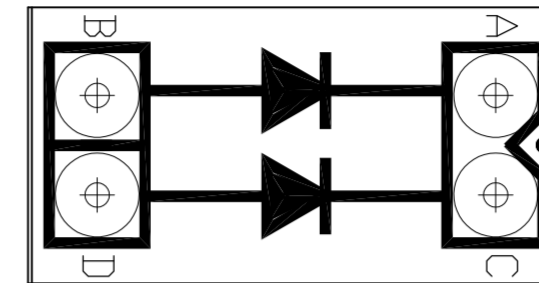
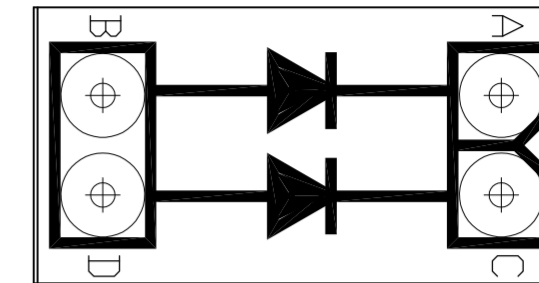


THIS DRAWING IS UNPUBLISHED.		RELEASED FOR PUBLICATION
© COPYRIGHT BY TYCO ELECTRONICS CORPORATION. ALL RIGHTS RESERVED.		
DESCRIPTION	MATERIAL	FINISH
MODULE ASSEMBLY	EPOXY THERMOSET	COLOR: BLACK
GROMMET	----	COLOR: WHITE
CONTACT SOCKET	BERYLLIUM COPPER ASTM-B194	GOLD PLATE PER MIL-G-45204
RETAINING CLIP	BERYLLIUM COPPER ASTM-B194 OR STAINLESS STEEL PER QQ-S-766	NONE
DIODE	1N4003	NONE
SEALING PLUGS QTY 2	F.E.P. PER MIL-P-19468	COLOR: RED
PIN CONTACT QTY = 5 P/N M39029/1-101	COPPER ALLOY PER MIL-C-39029	GOLD PLATE PER MIL-C-45204

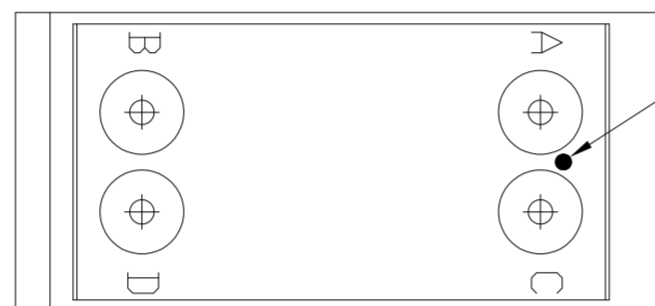
LDC	DIST	REVISIONS					
DF	-	P	LTR	DESCRIPTION	DATE	DWN	APVD
		E		REV PER ECD-08-031450	10MAR09	PY	DE



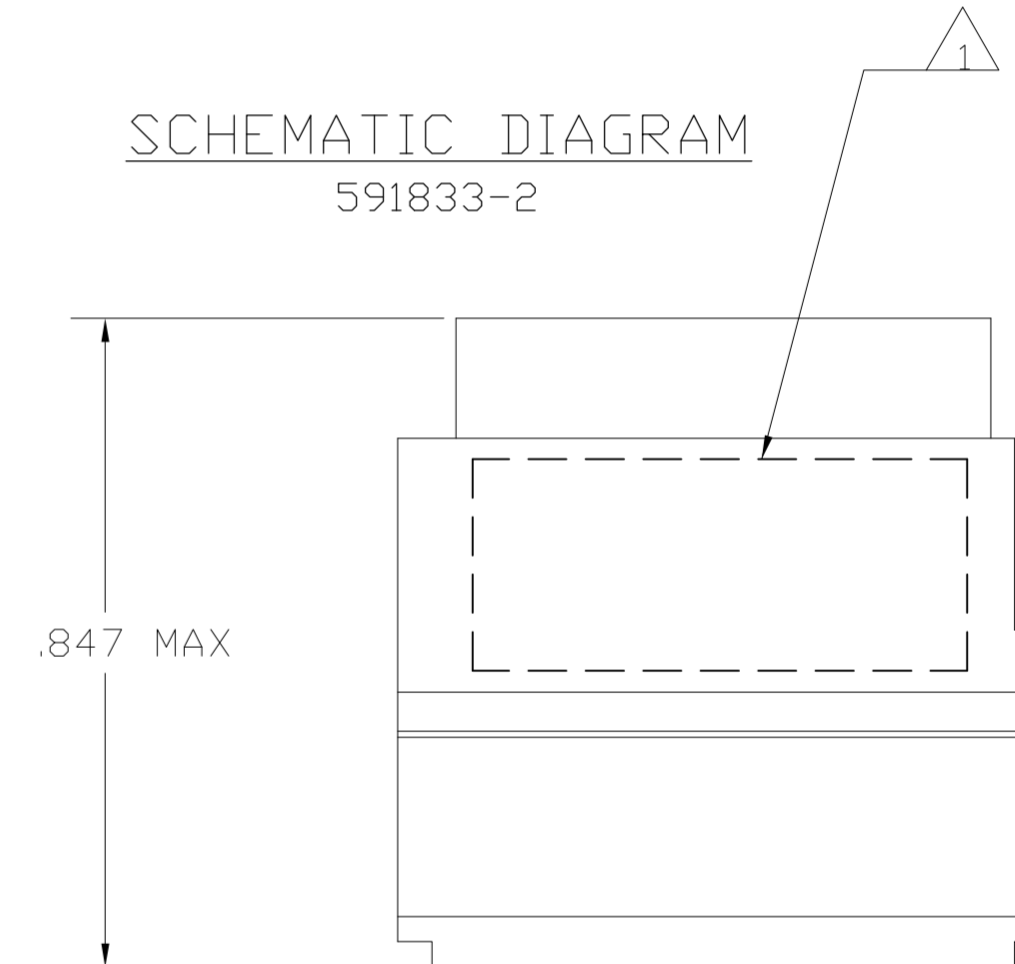
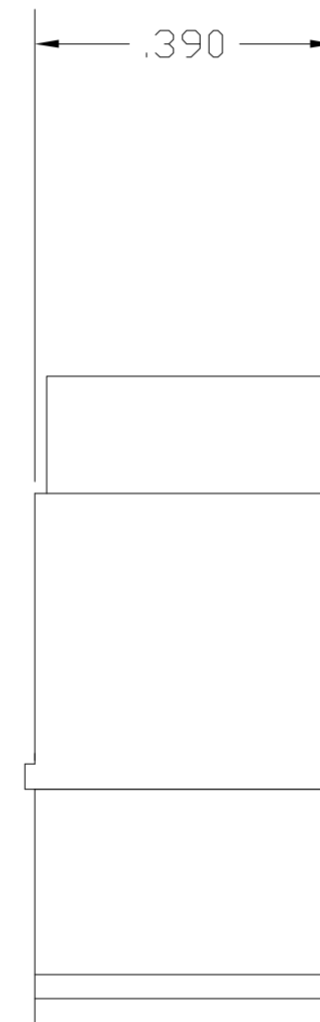
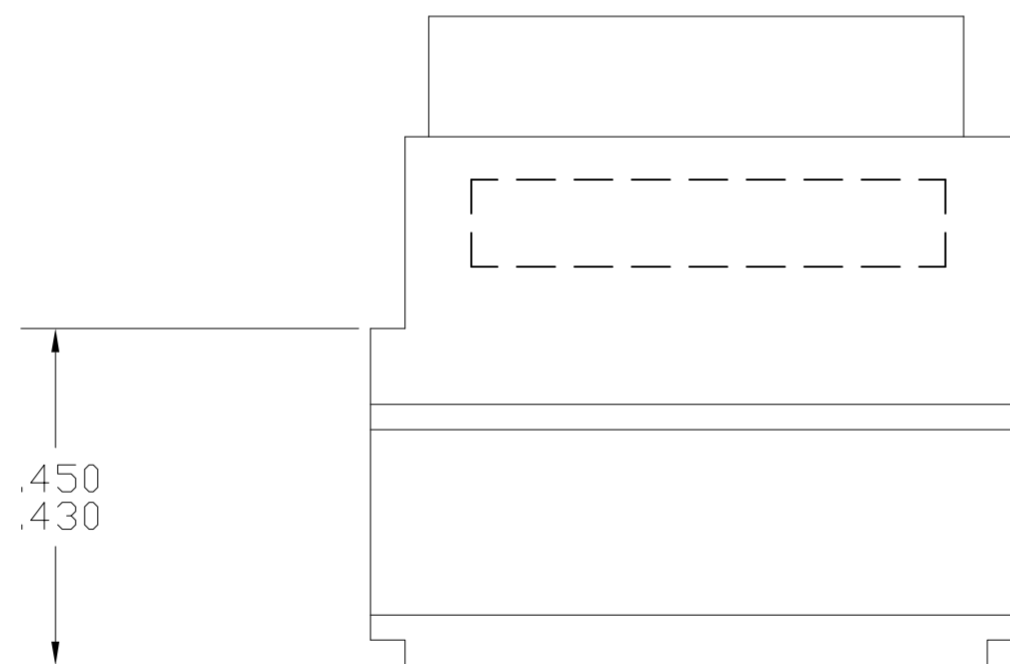
SCHMATIC DIAGRAM  
591833-1



SCHMATIC DIAGRAM  
591833-2



INDEXING  
INDICATOR



SCHMATIC DIAGRAM  
591833-2

1 MARK MODULE ASSEMBLY WITH "AMP", AMP PART NO. AND DATE CODE

2. MODULE MEETS APPLICABLE REQUIREMENTS OF MIL-T-81714 CLASS "B". ENVIRONMENTS CREATED BY THE OPERATION OF INTERNAL ELECTRONIC COMPONENTS WHICH EXCEED THE MODULE RATED PERFORMANCE ARE THE RESPONSIBILITY OF THE USER. THE ELECTRONIC COMPONENT SPECIFICATION SHOULD BE CONSULTED.

591833-2  
591833-1  
PART  
NO.

THIS DRAWING IS A CONTROLLED DOCUMENT.		DWN N. FRITZ 7-31-95	Tyco Electronics Corporation Harrisburg, Pa 17105-3608	
DIMENSIONS: INCHES		CHK J. HARMAN 7-31-95	NAME MODULE ASSY, FEED-BACK, SIZE 20 TJ WITH 1N4003 DIODE	
TOLERANCES UNLESS OTHERWISE SPECIFIED:		APVD J. HARMAN 7-31-95	PRODUCT SPEC	
0 PLC ± -		APPLICATION SPEC		
1 PLC ± -		-		
2 PLC ± -		-		
3 PLC ± .005		-		
4 PLC ± -		-		
ANGLES ± -		-		
FINISH		-		
MATERIAL		WEIGHT -		
-		SCALE 4:1		SHEET 1 OF 1
-		CUSTOMER DRAWING		REV E