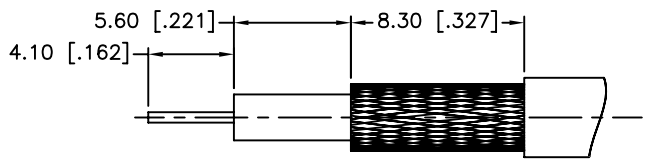
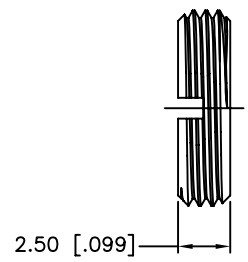
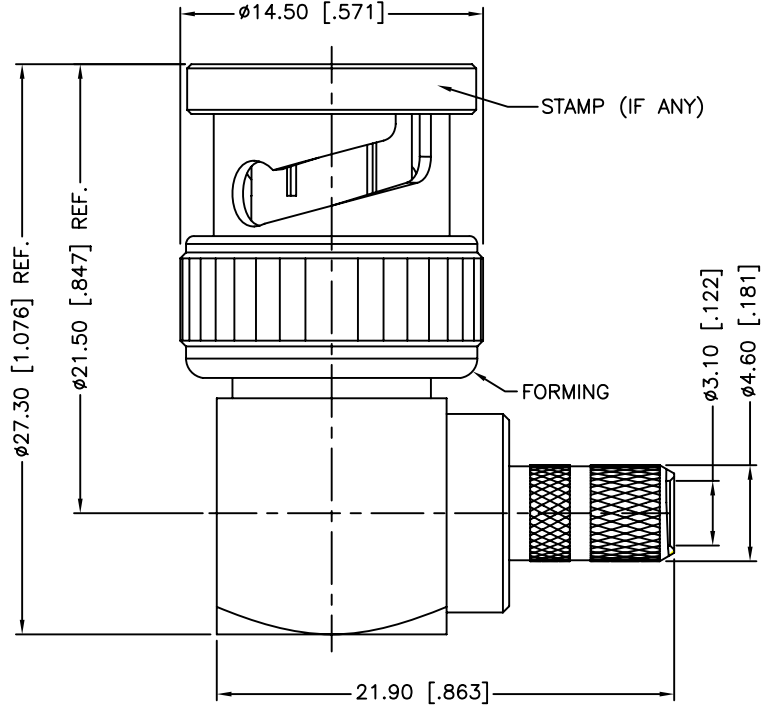


REV.	DATE	ECR NO.	DESCRIPTION
A	06/20/12	2309	UPDATE DRAWING FORMAT



RECOMMENDED  
CABLE STRIPPING DIM'S



1. CRIMPED FERRULE  
HEX CRIMP SIZE .255"

11	NUT	BRASS	NICKEL	1
10	FERRULE	COPPER	NICKEL	1
9	WASHER	BRASS	NICKEL	1
8	SPRING	SK5	NICKEL	1
7	RETAINER RING	BRASS	NICKEL	1
6	GASKET	RUBBER	RED	1
5	CONTACT PIN	BRASS	GOLD	1
4	INSULATOR	PTFE	NATURAL	1
3	BARREL	BRASS	NICKEL	1
2	HOUSING	BRASS	NICKEL	1
1	SHELL	BRASS	NICKEL	1
	DESCRIPTION	MATERIAL	FINISH	QTY

UNLESS OTHERWISE SPECIFIED DIMENSIONS ARE IN MILLIMETERS. DIMENSIONS IN [ ] ARE IN INCHES AND FOR CUSTOMER REFERENCE ONLY.

UNLESS OTHERWISE SPECIFIED TOLERANCES FOR MILLIMETERS ARE:  
0.5 - 8mm ± 0.20mm  
8 - 30mm ± 0.40mm  
30 - 120mm ± 0.50mm

UNLESS OTHERWISE SPECIFIED TOLERANCES FOR INCHES ARE:  
.020 - .315 ± 0.007"  
.315 - 1.180 ± 0.015"  
1.180 - 4.724 ± 0.020"

DO NOT SCALE DRAWING

APPROVALS		DATE
DRAWN	R.MAO	06/20/12
CHECKED		
ISSUED		
SHEET	1 OF 1	
CAD FILE	C:/CONNEX/112467.DWG	

**Amphenol Connex**

PART DESCRIPTION  
**BNC R/A CRIMP PLUG  
(FOR RG-58/U,58C/U)**

PART NO.  
**112467**

DWG. NO.	112467.DWG	REV.	A	SIZE	A	SCALE	NA
----------	------------	------	---	------	---	-------	----