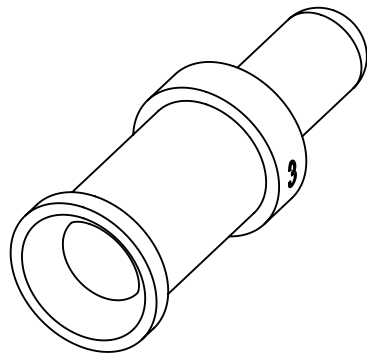


wire gauge: 3mm² / AWG 12
 stripping length: 6.5mm
 coating: silver plated



	All Dimensions in mm Original Size DIN A4		Scale 10:1	Free size tol.		Ref. Sub. TB 11 05 000 6107 v. 28.04.10	
		All rights reserved	Created by HOLLERT	Inspected by RIEPE	Standardisation TIEMANNA	Date 2013-11-28	State Final Release
Department EL PD - DE		Title Han-Yellock Crimp contact male 3mm ²				Doc-Key / ECM-Nr. 100177930/UGD/006/B 500000068615	
HARTING Electric GmbH & Co. KG D-32339 Espelkamp		Type TB	Number 11 05 000 6107			Rev. B	Page 1/1