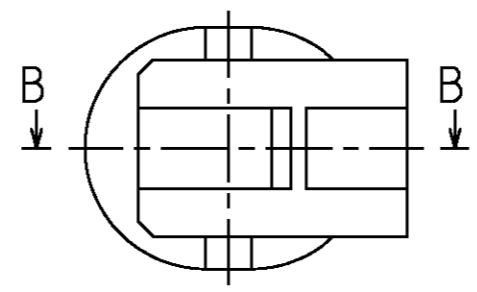
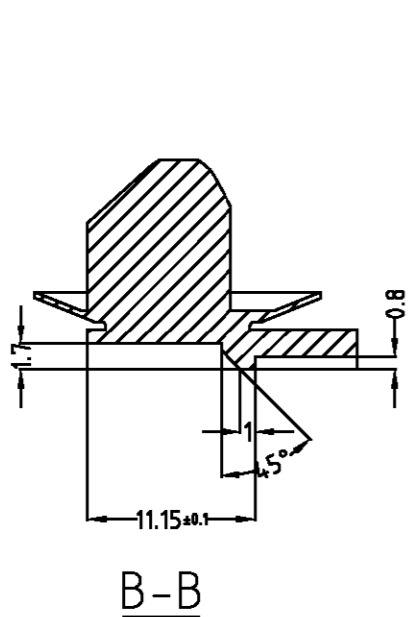
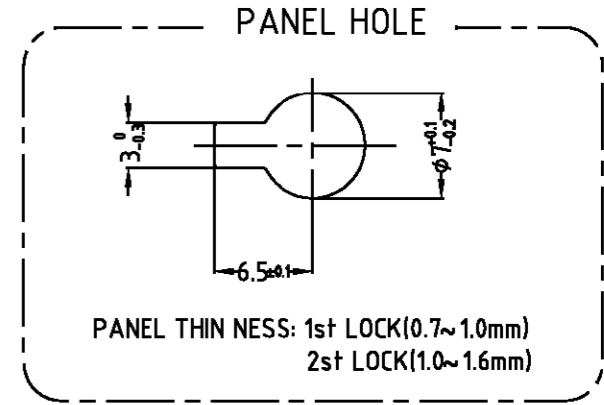
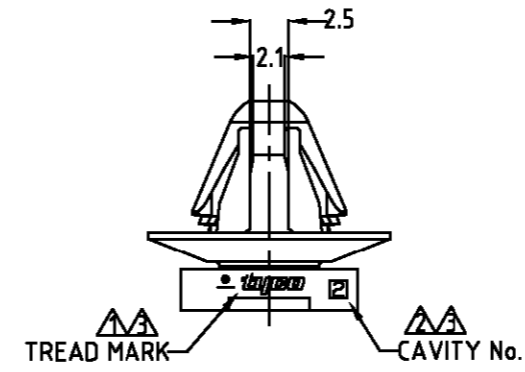
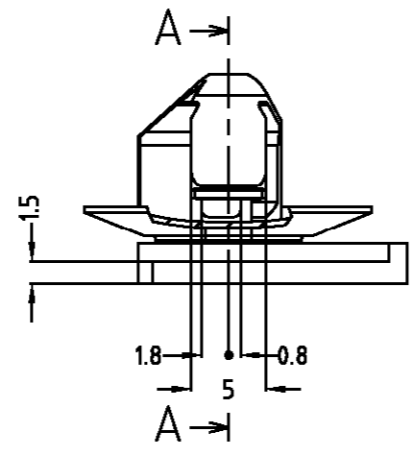
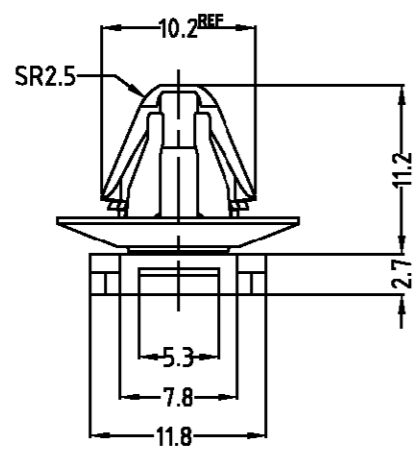
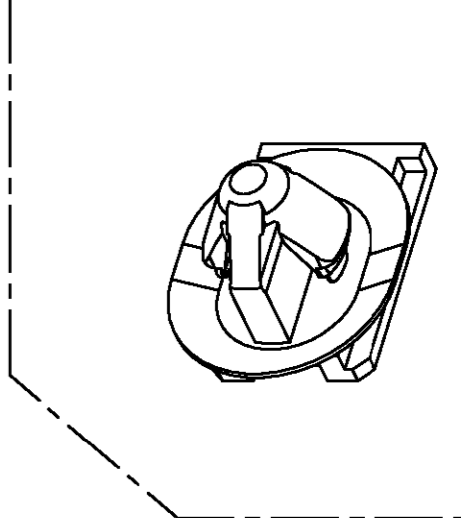
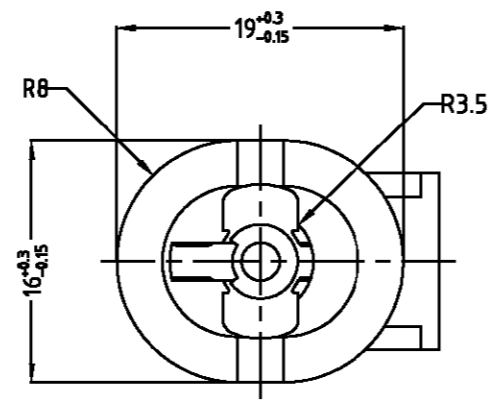
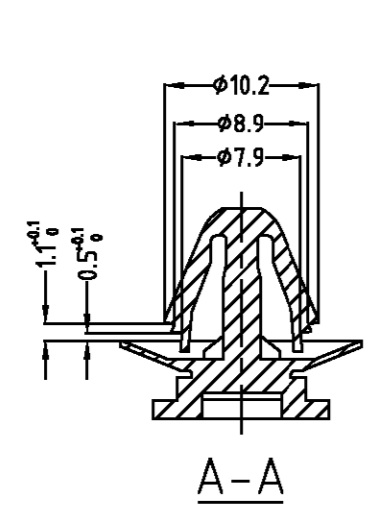


THIS DRAWING IS UNPUBLISHED. RELEASED FOR PUBLICATION 1997 .
 © COPYRIGHT 1997 BY AMP INCORPORATED. ALL RIGHTS RESERVED.

LOC		DIST		REVISIONS			
P	LTR	DESCRIPTION		DATE	DWN	APVD	
	0	RELEASE ECN(FC00-0121-03)		22,AUG,03	JW	CS	

D
C
B
A



NOTE.
 ▲ tyco/AMP TRADE MARK MUST BE CLEAR AND LEGIBLE. ACC TO P/N 994860.
 ▲ CAVITY MARK
 ▲ CHARACTERS 1.5 HEIGHT AND 0.5 RADIUS INSIDE 0.5mm

936551-2	BLACK	↓
936551-1	NATURAL	NYRON 66
PART NO.	COLOR	MATERIAL

DIMENSIONS: MM		TOLERANCES UNLESS OTHERWISE SPECIFIED:		DWN JW JUNG		AMP KOREA, kyungsan, korea	
0 <XX<10	± 0.2	10<XX<30	± 0.25	CHK BM JANG	tyco Electronics		
30<XX	± 0.3	ANGLES	± 3°	APVD CS LEE	NAME		
3rd ANGLE PROJECTION				PRODUCT SPEC	CLIP HSG FOR .09011 MLC(φ7 KEY HOLE)		
MATERIAL SEE TABLE				APPLICATION SPEC	SIZE	CAGE CODE	DRAWING NO
FINISH				WEIGHT	A3	00779	936551
				SCALE 2 : 1		SHEET 1 OF 1	REV 0