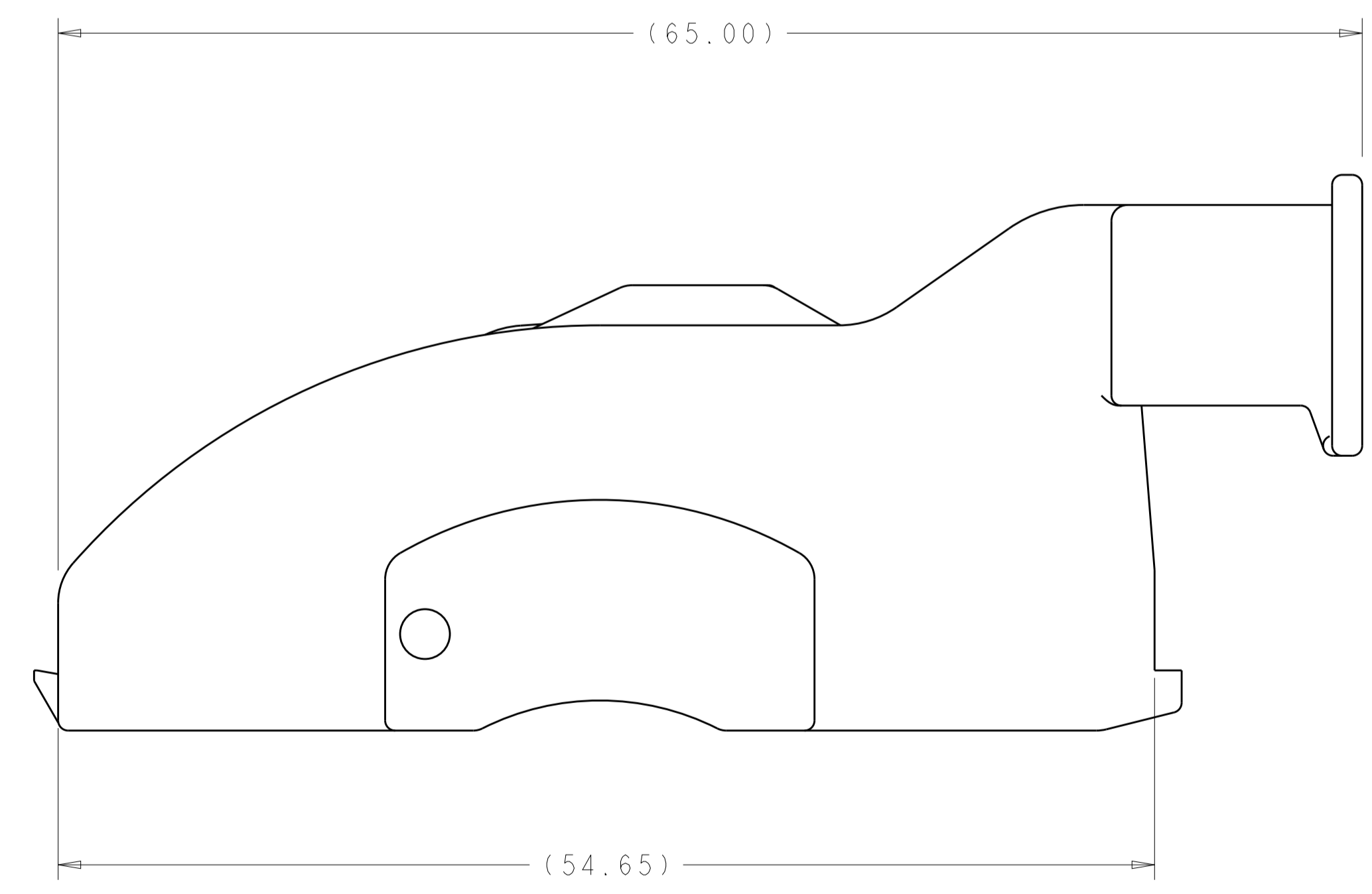
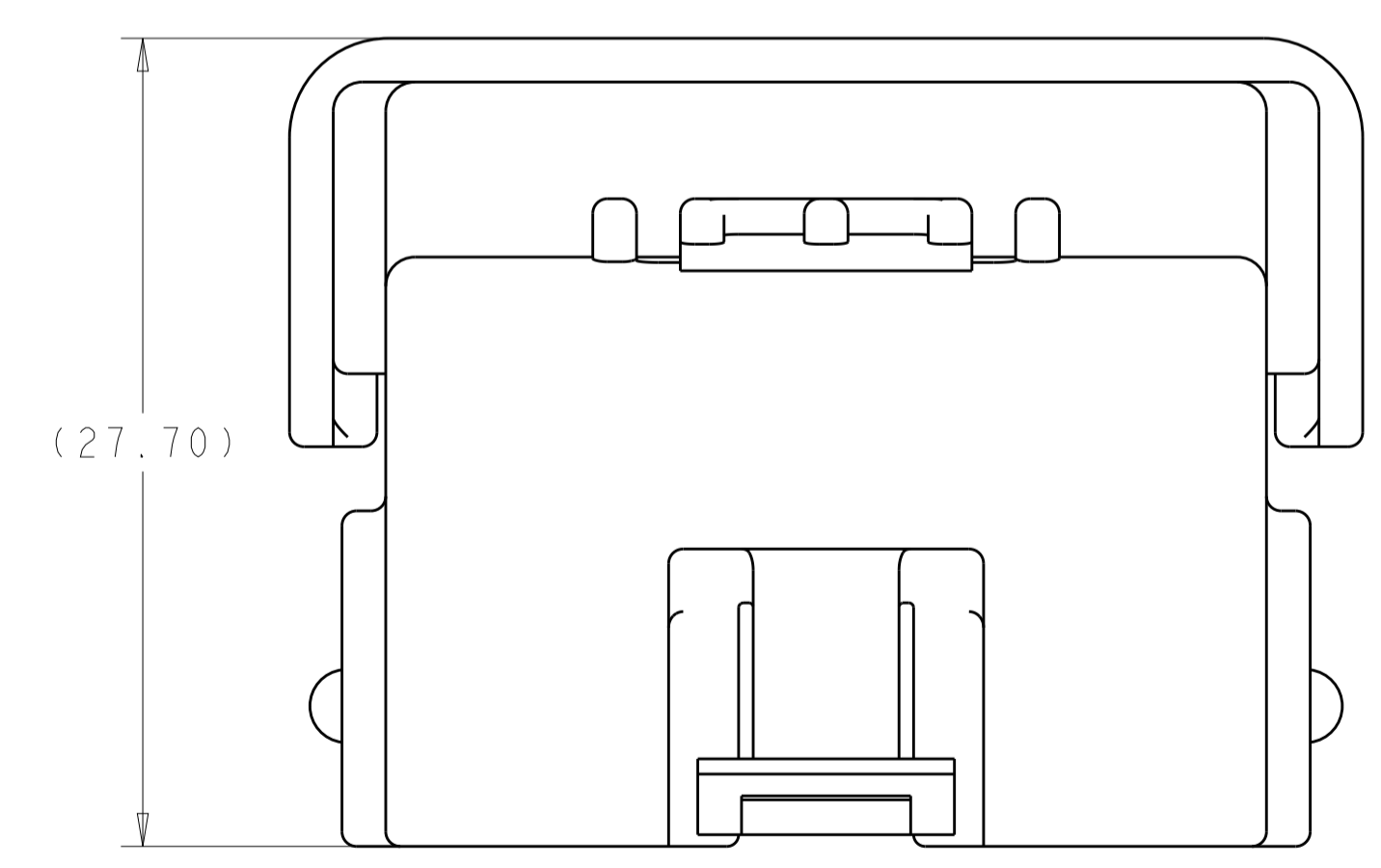
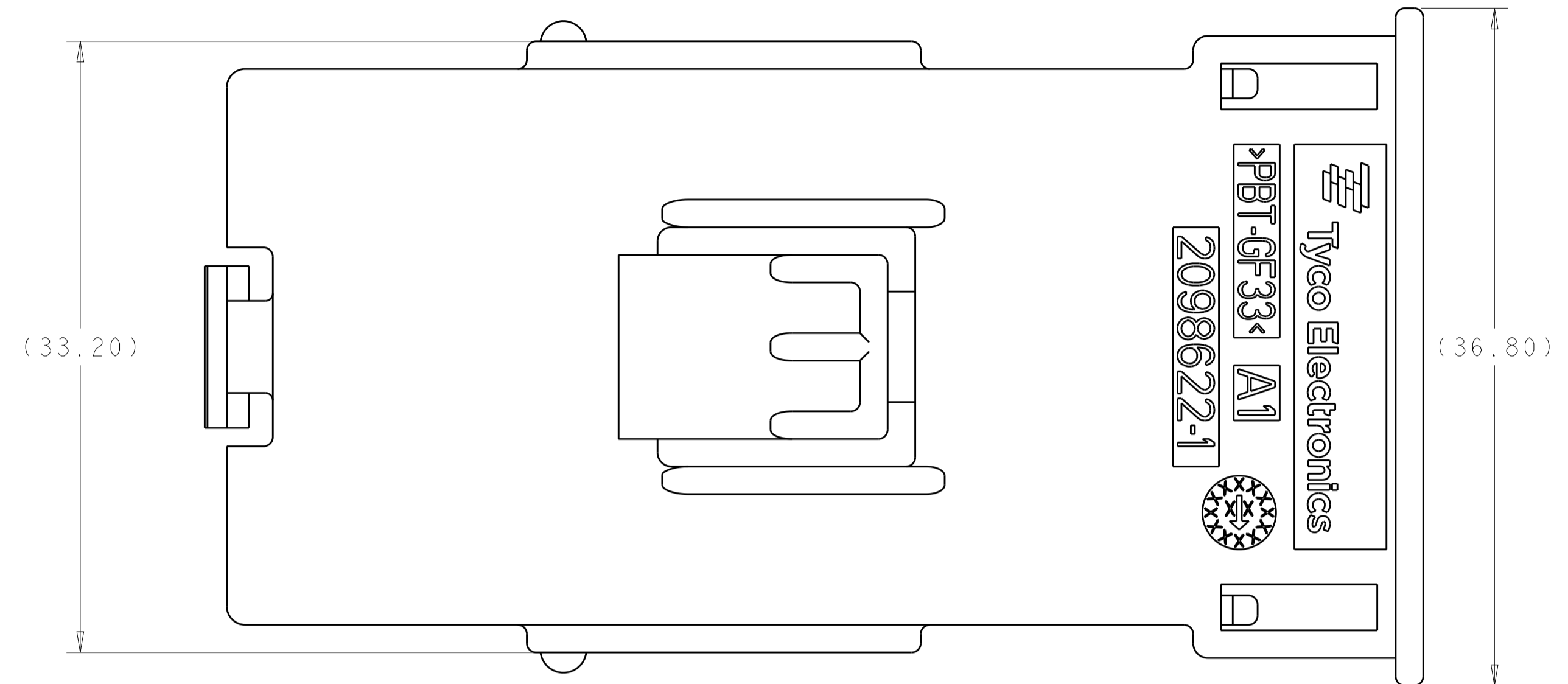
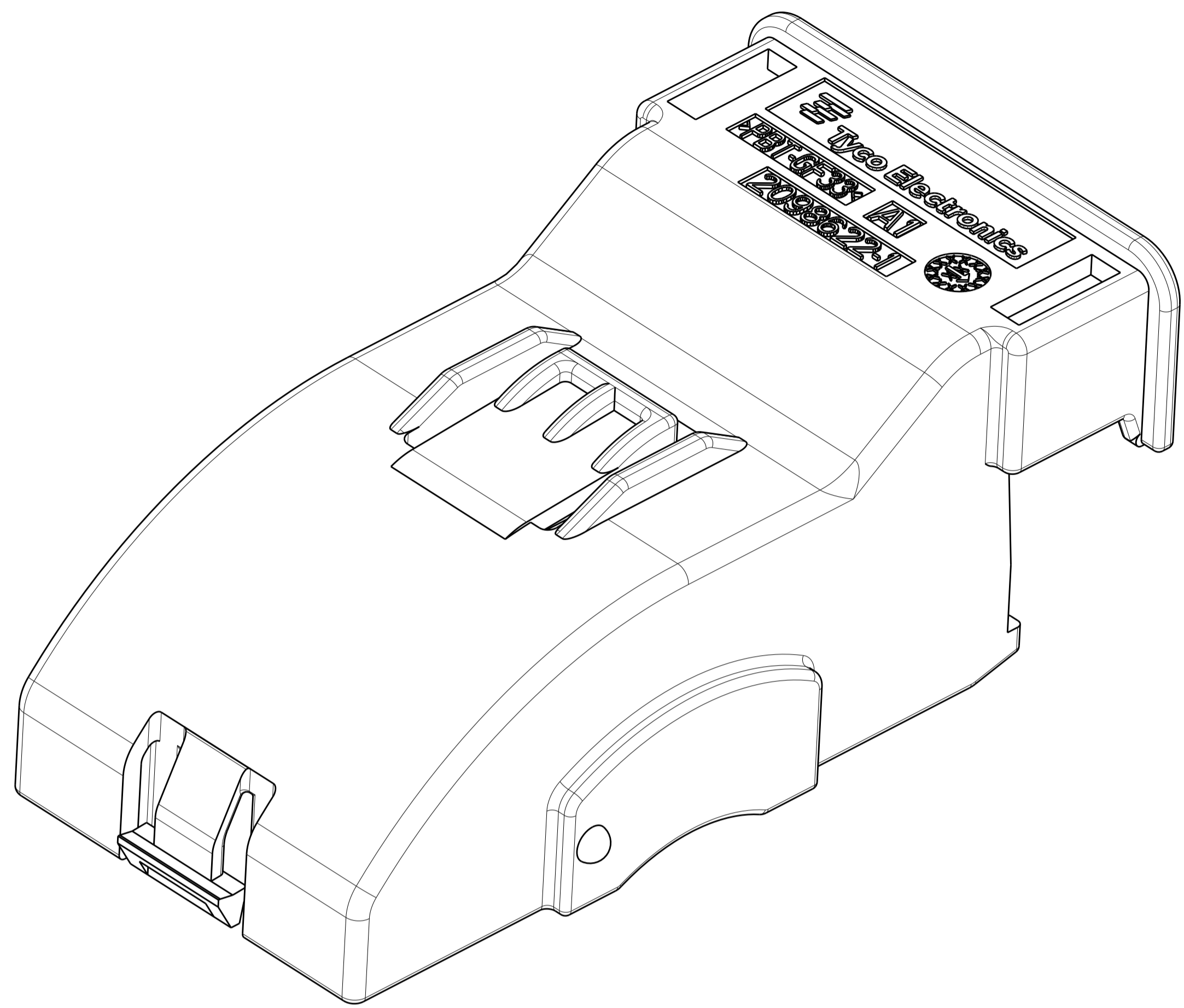


LOC		DIST		REVISIONS			
IN	00	P	LTN	DESCRIPTION	DATE	DWN	APVD
		A		RELEASED	20FEB2012	MBH	RH
		B		REV PER ECO-12-019809	09NOV2012	MBH	RH



- NOTES:
1. MATERIAL: PBT GLASS FILLED 33% (>PBT-GF33<)
 2. MATING COMPONENT 2138731.

2068622-1
PART NUMBER

THIS DRAWING IS A CONTROLLED DOCUMENT.		DWN	M. HITCHCOCK	20FEB2012	TE Connectivity NAME 36P UNSEALED HYBRID WIRE DRESS (20X 1.5, 10X 2.8, 6X 6.3)
DIMENSIONS:		CHK	R. HETRICK	20FEB2012	
TOLERANCES UNLESS OTHERWISE SPECIFIED:		APVD	R. HETRICK	20FEB2012	
mm		PRODUCT SPEC		APPLICATION SPEC	
0 PLC ±0.0 1 PLC ±0.3 2 PLC ±0.10 3 PLC ±0.050 4 PLC ±0.0 ANGLES ±3°		WEIGHT		RESTRICTED TO	
MATERIAL		CUSTOMER DRAWING		SCALE 4:1	SHEET 1 OF 1