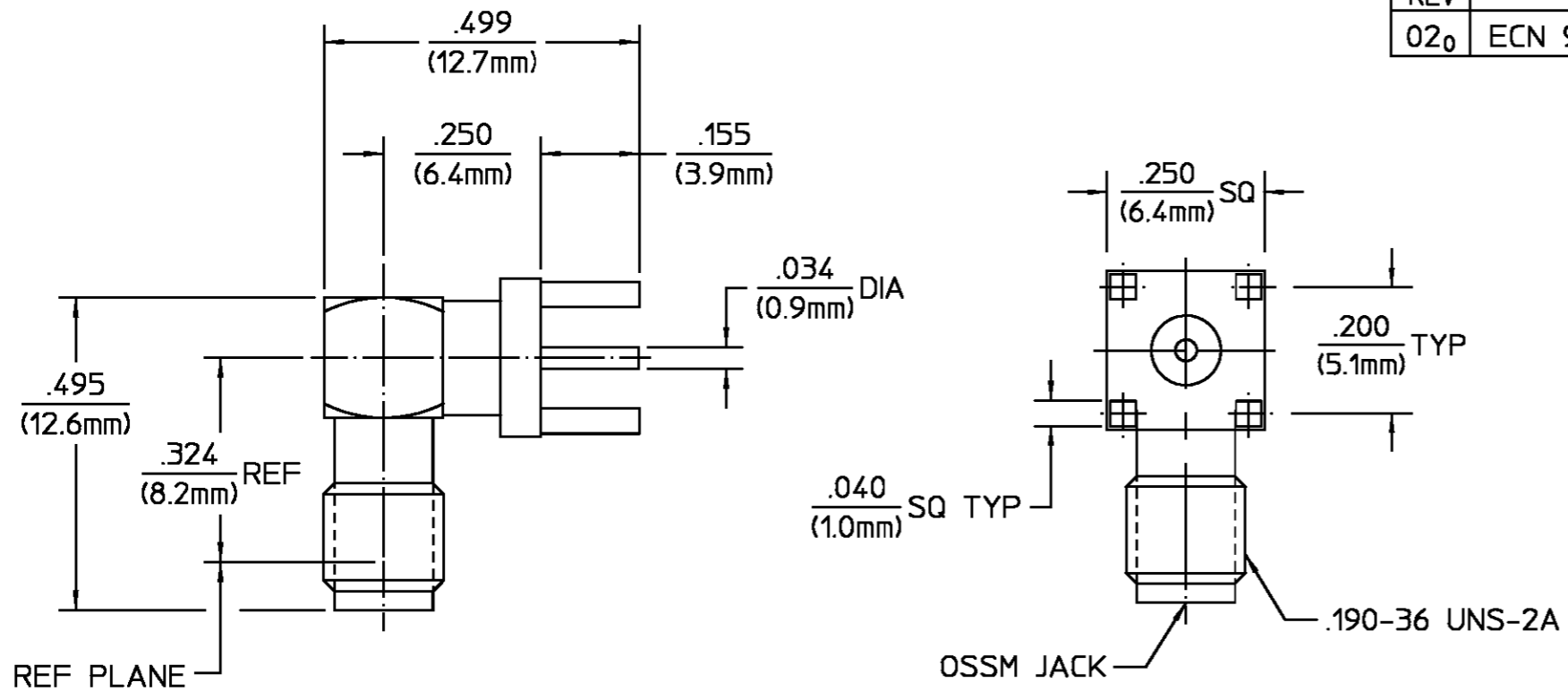


REVISIONS			
REV	DESCRIPTION	DATE	APPROVED
020	ECN 92-0591-2	2/1/93	AD BB 2/3/93



ELECTRICAL	MECHANICAL	ENVIRONMENTAL
Nominal Impedance (Ohms) <u>50</u>	Interface Dimensions MIL-STD-348A, Fig. 319.2	Temperature Rating <u>-55°C to +125°C</u>
Frequency Range (GHz) DC to <u>18</u>	Recommended Mating Torque <u>7 to 8 In-Lbs</u>	Vibration MIL-STD-202, Method 204, Condition D
Volt Rating (VRMS MAX) @ Sea Level <u>250</u>	Mating Characteristics: Insertion (MAX Lbs) <u>3</u>	Shock MIL-STD-202, Method 213, Condition I
VSWR <u>N/A</u>	Withdrawal (MIN Oz) <u>1</u>	Thermal Shock MIL-STD-202, Method 107, Condition B, Except High Temp Shall Be +115°C
Insertion Loss (dB MAX) <u>N/A</u>	Force to Engage and Disengage (In-Lbs MAX) <u>2</u>	Moisture Resistance MIL-STD-202, Method 106
RF Leakage (dB MIN) <u>N/A</u>	Center Contact Captivation: Axial (Lbs) <u>6</u>	Corrosion - MIL-STD-202, Method 106, No Measurements at High Humidity
Corona, 70,000 Ft (VRMS MIN) <u>190</u>	Radial (In-Oz) <u>4</u>	
Dielectric Withstanding Voltage (VRMS MIN) @ Sea Level <u>750</u>	Weight (Grams) <u>TBD</u>	
Contact Resistance (Milliohms MAX): Center Contact <u>2.0</u> , Outer Contact <u>2.0</u>		
RF High Potential @ Sea Level (VRMS MIN @ 5 MHz) <u>500</u>		
I.R.(Megohms MIN) <u>5000</u>		

COMPONENT	MATERIAL	FINISH
HOUSING CAP	STAINLESS STEEL PER ASTM-A484 AND ASTM-A582, TYPE 303	GOLD PLATE PER MIL-G-45204 OVER NICKEL PLATE PER QQ-N-290
DIELECTRIC	TFE FLUOROCARBON PER ASTM-D-1457	N/A
CENTER CONTACT	BERYLLIUM COPPER PER ASTM B 196, ALLOY C17300, CONDITION H	GOLD PLATE PER MIL-G-45204 OVER COPPER PLATE PER MIL-C-14550

UNLESS OTHERWISE SPECIFIED DIMENSIONS ARE IN INCHES TOLERANCE ON	DRAWN BY EJC DATE 12/1/71	AMP Incorporated 140 Fourth Avenue Waltham, MA 02451-7599
FRAC. DEC. ANGLES ± 1/64 ±.005 ± °	CHECKED BY PRB DATE 12/6/71	
	APPD BY RW DATE 12/6/71	
These drawings and specifications are the property of Omni Spectra Incorporated and shall not be reproduced or copied or used in whole or in part as the basis for the manufacture or sale of item(s) without written permission.	USE ASS'Y PROCEDURE	TITLE OSSM RIGHT ANGLE PRINTED WIRING BOARD JACK STRAIGHT TERMINAL
	NO. AP. <u>N/A</u>	SIZE B CODE IDENT NO. 26805 1064-0000-00 REV 020
		SCALE 4:1 SHEET 1 OF 1