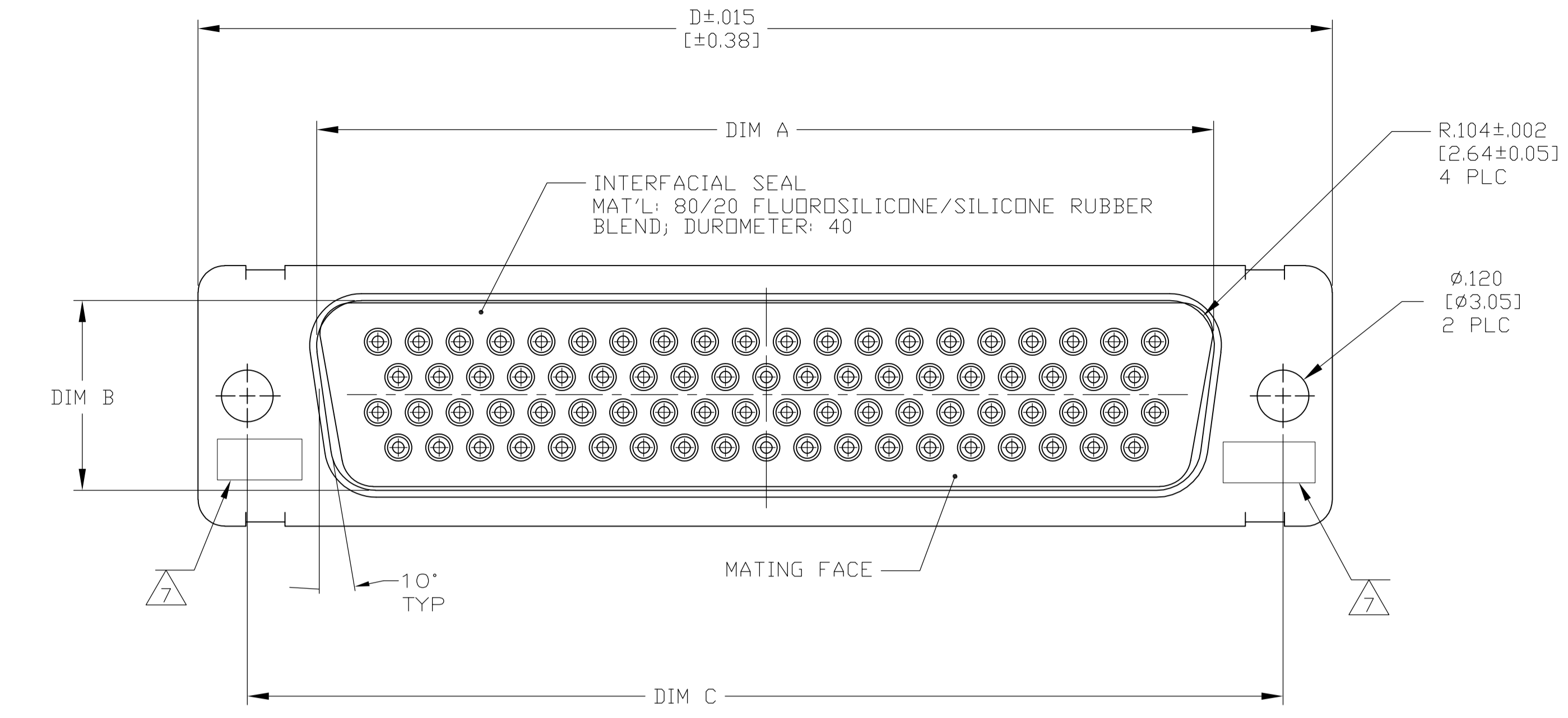
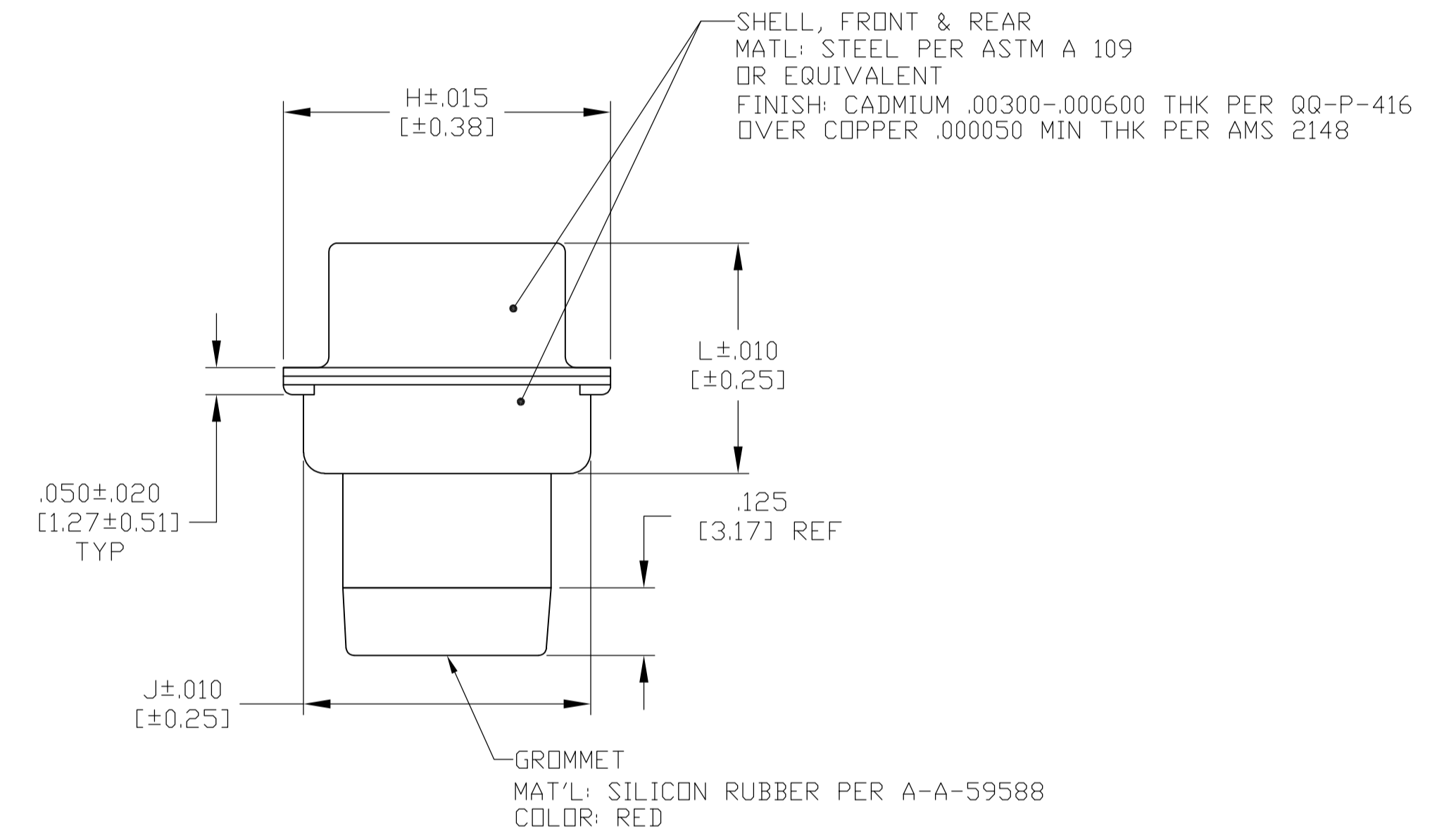
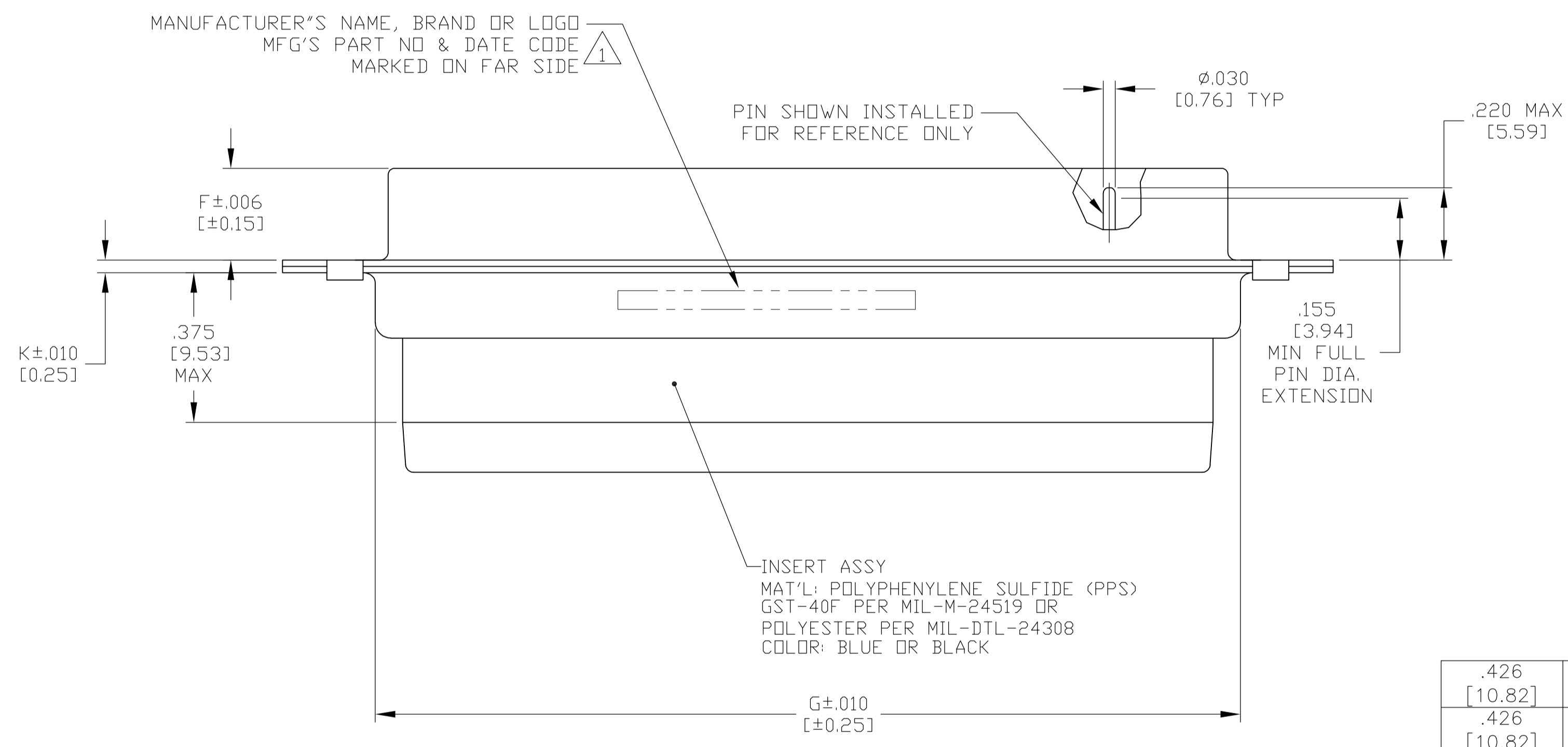


| REVISONS | | DATE | BY | APP'D |
|----------|---------------------------|---------|----|-------|
| NO. | DESCRIPTION | | | |
| D | REVISED PER ECO-16-013266 | 29SEP16 | RS | CT |



- MARKED WITH .047 [1.19] HIGH CHARACTERS. FAR SIDE REFERS TO WIDE SIDE OF KEYSTONE, NEAR SIDE REFERS TO NARROW SIDE OF KEYSTONE.
- THIS ASSEMBLY IS DESIGNED TO CONFORM TO THE LATEST ISSUE OF MIL-DTL-24308.
- MAXIMUM WIRE INSULATION USED WITH THIS CONNECTOR IS .054 [1.37] DIAMETER WITH GROMMET
- METAL RETENTION CLIPS ARE INCLUDED IN INSERTS.
- THIS PLUG WILL MATE WITH ANY RECEPTACLE CONNECTOR WITH THE SAME INSERT ARRANGEMENT.
- CONTACTS ARE PACKAGED SEPARATELY AND SHIPPED WITH CONNECTOR.
- UL/CSA DESIGNATION STAMPED IN THIS AREA.
- EPOXY IS APPLIED BETWEEN FRONT & REAR SHELLS AND INSERT.
- FOR CONTACT CRIMPING AND CONTACT INSTALLATION AND REMOVAL REFER TO TE I.S. 408-7516.
- INTERFACIAL SEAL IS BONDED TO FRONT INSERT.



PRELIMINARY PART NO.

| | | | | | | | | | | | |
|---------|--------|---------|---------|---------|--------|---------|---------|---------|---------|------------------|-------------|
| .426 | .039 | .534 | .668 | 2.302 | .230 | 2.729 | 2.500 | .503 | 2.212 | 104 | 1-2221860-6 |
| [10.82] | [0.99] | [13.56] | [16.97] | [58.47] | [5.84] | [69.32] | [63.50] | [12.78] | [56.18] | | |
| .426 | .039 | .534 | .605 | 2.178 | .230 | 2.635 | 2.406 | .441 | 2.079 | 78 | 1-2221860-5 |
| [10.82] | [0.99] | [13.56] | [15.37] | [55.32] | [5.84] | [66.93] | [61.11] | [11.20] | [52.81] | | |
| .426 | .039 | .422 | .494 | 2.272 | .230 | 2.729 | 2.500 | .329 | 2.182 | 62 | 1-2221860-4 |
| [10.82] | [0.99] | [10.72] | [12.55] | [57.71] | [5.84] | [69.32] | [63.50] | [8.36] | [55.42] | | |
| .426 | .039 | .422 | .494 | 1.625 | .230 | 2.088 | 1.852 | .329 | 1.534 | 44 | 1-2221860-3 |
| [10.82] | [0.99] | [10.72] | [12.55] | [41.27] | [5.84] | [53.03] | [47.04] | [8.36] | [39.96] | | |
| .422 | .030 | .422 | .494 | 1.083 | .235 | 1.541 | 1.312 | .329 | .994 | 26 | 1-2221860-2 |
| [10.72] | [0.76] | [10.72] | [12.55] | [27.51] | [5.97] | [39.14] | [33.32] | [8.36] | [25.25] | | |
| .422 | .030 | .422 | .494 | .759 | .235 | 1.213 | .984 | .329 | .666 | 15 | 1-2221860-1 |
| [10.72] | [0.76] | [10.72] | [12.55] | [19.28] | [5.97] | [30.81] | [24.99] | [8.36] | [16.92] | | |
| .426 | .039 | .534 | .668 | 2.302 | .230 | 2.729 | 2.500 | .503 | 2.212 | 104 | 2221860-6 |
| [10.82] | [0.99] | [13.56] | [16.97] | [58.47] | [5.84] | [69.32] | [63.50] | [12.78] | [56.18] | | |
| .426 | .039 | .534 | .605 | 2.178 | .230 | 2.635 | 2.406 | .441 | 2.079 | 78 | 2221860-5 |
| [10.82] | [0.99] | [13.56] | [15.37] | [55.32] | [5.84] | [66.93] | [61.11] | [11.20] | [52.81] | | |
| .426 | .039 | .422 | .494 | 2.272 | .230 | 2.729 | 2.500 | .329 | 2.182 | 62 | 2221860-4 |
| [10.82] | [0.99] | [10.72] | [12.55] | [57.71] | [5.84] | [69.32] | [63.50] | [8.36] | [55.42] | | |
| .426 | .039 | .422 | .494 | 1.625 | .230 | 2.088 | 1.852 | .329 | 1.534 | 44 | 2221860-3 |
| [10.82] | [0.99] | [10.72] | [12.55] | [41.27] | [5.84] | [53.03] | [47.04] | [8.36] | [39.96] | | |
| .422 | .030 | .422 | .494 | 1.083 | .235 | 1.541 | 1.312 | .329 | .994 | 26 | 2221860-2 |
| [10.72] | [0.76] | [10.72] | [12.55] | [27.51] | [5.97] | [39.14] | [33.32] | [8.36] | [25.25] | | |
| .422 | .030 | .422 | .494 | .759 | .235 | 1.213 | .984 | .329 | .666 | 15 | 2221860-1 |
| [10.72] | [0.76] | [10.72] | [12.55] | [19.28] | [5.97] | [30.81] | [24.99] | [8.36] | [16.92] | | |
| DIM L | DIM K | DIM J | DIM H | DIM G | DIM F | DIM D | DIM C | DIM B | DIM A | NO. OF POSITIONS | PART NUMBER |

THIS DRAWING IS A CONTROLLED DOCUMENT.

| | | | |
|-------------------------|--|-------------------------|---|
| DIMENSIONS: INCHES [mm] | TOLERANCES UNLESS OTHERWISE SPECIFIED: | DIN C.C.THOMAS 10-14-14 | TE Connectivity |
| 0 PLC ± - | 1 PLC ± - | 10-14-14 | PLUG ASSY, SIZE 1-6, IP67 SERIES 90, AMPLIMITE WITH IF SEAL AND GROMMET |
| 2 PLC ± - | 3 PLC ± .005 [0.13] | 10-14-14 | SIZE: A1 |
| 4 PLC ± - | ANGLES ± 1° | | CAGE CODE: 00779 |
| MATERIAL: SEE CALLOUTS | FINISH: SEE CALLOUTS | WEIGHT: A1 | DRAWING NO: 2221860 |
| | | CUSTOMER DRAWING | SCALE: 4:1 |
| | | | SHEET 1 OF 1 |
| | | | REV D |