

# SY58052AU



## Ultra-Precision CML Data and Clock Synchronizer with Internal Input and Output Termination

Precision Edge®

### General Description

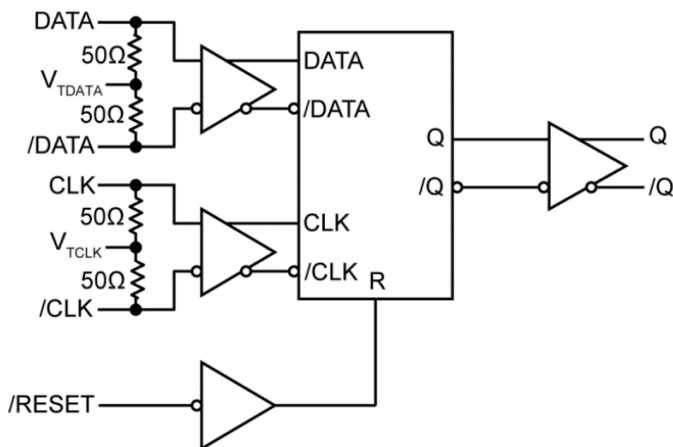
The SY58052AU is an ultra-fast, precision, low jitter data-to-clock resynchronizer with a guaranteed maximum data throughput of 10.7Gbps and a maximum clock of 10.7GHz. The SY58052AU is an ideal solution for backplane retiming or retiming after the data passes through long trace lengths. Serial data comes into the data input, and the CML output is synchronous to the input reference clock's rising edge.

The SY58052AU differential inputs include a unique, internal termination design that allows access to the termination network through a  $V_T$  pin. This feature allows the device to easily interface to different logic standards, both AC- and DC-coupled, without external resistor-bias and termination networks. The result is a clean, stub-free, low-jitter interface solution. The differential CML output is optimized for 50 $\Omega$  environments with internal 50 $\Omega$  source termination and a 400mV output swing.

The SY58052AU operates from a 2.5V or 3.3V supply and is guaranteed over the full industrial temperature range (-40°C to +85°C). The SY58052AU is part of a Micrel's Precision Edge® product family.

Datasheets and support documentation are available on Micrel's web site at: [www.micrel.com](http://www.micrel.com).

### Functional Block Diagram



AnyGate and Precision Edge are registered trademarks of Micrel, Inc.

Micrel Inc. • 2180 Fortune Drive • San Jose, CA 95131 • USA • tel +1 (408) 944-0800 • fax + 1 (408) 474-1000 • <http://www.micrel.com>

February 11, 2014

Revision 1.0

[FOMhelp@micrel.com](mailto:FOMhelp@micrel.com) or (408) 955-1690

Precision Edge®

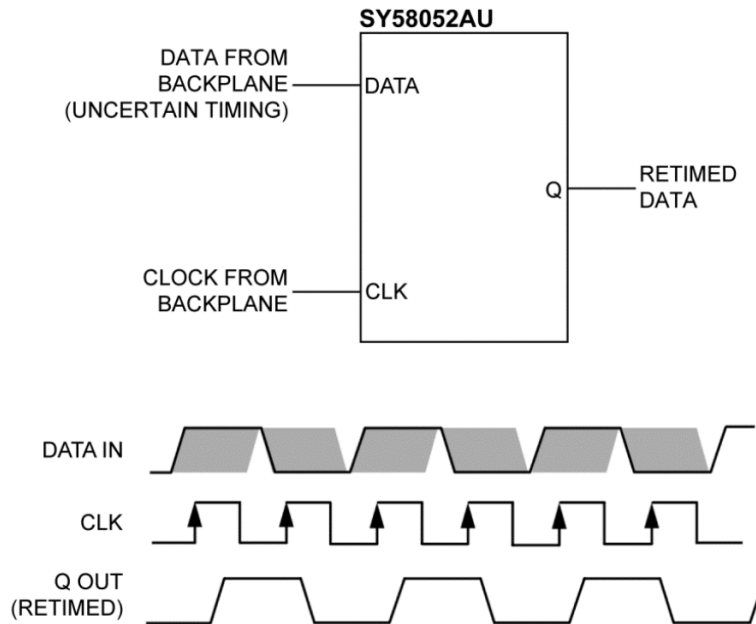
### Features

- Resynchronize data to a reference clock
- Guaranteed AC performance over temperature and voltage:
  - DC-to > 10.7Gbps data rate throughput
  - DC-to > 10.7GHz clock  $f_{MAX}$
  - 160ps any in-to-out  $t_{PD}$
  - 30ps typical Rise/Fall time
- Ultra low-jitter design:
  - 0.3ps<sub>RMS</sub> typical random jitter
  - 3ps<sub>PP</sub> typical deterministic jitter (data)
  - < 10ps<sub>PP</sub> total jitter (clock)
- Internal 50 $\Omega$  input termination
- Unique input termination and  $V_T$  pin accepts DC- and AC-coupled inputs (CML, PECL)
- Internal 50 $\Omega$  output source termination
- 400mV CML output swing
- Power supply: 2.5V  $\pm$ 5% or 3.3V  $\pm$ 10%
- -40°C to +85°C industrial temperature range
- Available in a 3mm x 3mm 16-pin QFN package

### Applications

- Data communications systems
- Serial OC-192, OC192+FEC data-to-clock realignment
- Parallel 10Gbps for OC-768
- All SONET OC-3 – OC-768 applications
- Fiber channel
- Gigabit Ethernet
- ATE
- Test and measurement

## Typical Application



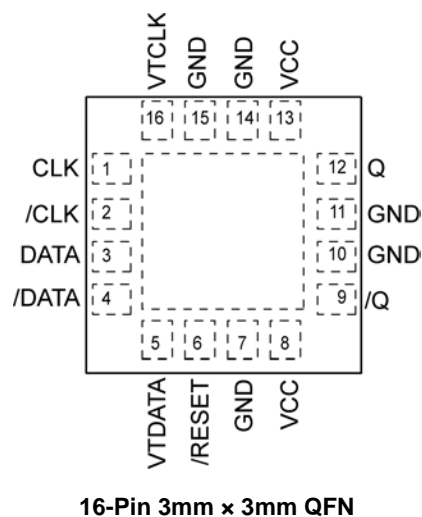
## Ordering Information<sup>(1)</sup>

Part Number	Package Type	Operating Range	Package Marking	Lead Finish
SY58052AUMG	3mm x 3mm QFN-16	Industrial	052A with Pb-Free Bar Line Indicator	NiPdAu Pb-Free
SY58052AUMG TR <sup>(2)</sup>	3mm x 3mm QFN-16	Industrial	052A with Pb-Free Bar Line Indicator	NiPdAu Pb-Free

**Notes:**

1. Contact factory for die availability. Dice are guaranteed at T<sub>A</sub> = 25°C, DC electricals only.
2. Tape and reel.





## Pin Configuration



## Pin Description

Pin Number	Pin Name	Pin Function
1, 2	CLK, /CLK	Differential Input: This input pair is the clock signal that re-times the data signal at DATA, /DATA. Each pin of this pair internally terminates to the VTCLK pin to 50Ω. Note that this input will default to an indeterminate state if left open (see <a href="#">Input Interface Applications</a> ).
3, 4	DATA, /DATA	Differential Input: This input pair is the signal to be synchronized by the CLK, /CLK signal. Each pin of this pair internally terminates to the VTDATA pin to 50Ω. Note that this input will default to an indeterminate state if left open (see <a href="#">Input Interface Applications</a> ).
5	VTDATA	Input Termination Center-Tap: Each of the two inputs, DATA, /DATA terminates to this pin. The VTDATA pin provides a center-tap to a termination network for maximum interface flexibility (see <a href="#">Input Interface Applications</a> ).
6	/RESET	TTL/CMOS-Compatible Input: The /RESET input asynchronously forces the Q output to a logic "0" state whenever it is active low. Possible state changes due to rising edges on CLK, /CLK are ignored until /RESET goes inactive high.
7, 10, 11, 14, 15	GND (Exposed Pad)	Ground. Exposed pad must be connected to the same potential as the GND pin.
8, 13	VCC	Positive Power Supply. Bypass with 0.1μF    0.01μF low-ESR capacitors.
12, 9	Q, /Q	Differential Output: This CML output pair is the output of the flip-flop. The data input is transferred to the Q output at the rising edge of CLK (falling edge of /CLK) (see <a href="#">Input Interface Applications</a> ).
16	VTCLK	Input Termination Center-Tap: Each of the two inputs, CLK, /CLK terminates to this pin. The VTCLK pin provides a center-tap to a termination network for maximum interface flexibility (see <a href="#">Input Interface Applications</a> ).

## Truth Table

DATA	/DATA	CLK	/CLK	/RESET	Q	/Q
X	X	X	X	0	0	1
X	X	0	1	1	Q <sub>N-1</sub>	/Q <sub>N-1</sub>
X	X	1	0	1	Q <sub>N-1</sub>	/Q <sub>N-1</sub>
0	1			1	0	1
1	0			1	1	0

**Absolute Maximum Ratings<sup>(3)</sup>**

Supply Voltage ( $V_{CC}$ )	–0.5V to +4.0V
Input Voltage ( $V_{IN}$ )	–0.5V to $V_{CC}$
CML Output Voltage ( $V_{OUT}$ )	$V_{CC} - 1.0V$ to $V_{CC} + 0.5V$
Termination Current <sup>(6)</sup>	
Source or Sink Current on VTDATA, VCLK	.....±60mA
Input Current	
Source or Sink Current on DATA, /DATA, CLK, /CLK	.....±30mA
Lead Temperature (soldering, 20s)	+260°C
Storage Temperature ( $T_S$ )	–65°C to +150°C

**Operating Ratings<sup>(4)</sup>**

Supply Voltage	
( $V_{CC}$ )	+2.375V to +2.625V / +2.97V to 3.63V
Ambient Temperature ( $T_A$ )	–40°C to +85°C
Package Thermal Resistance <sup>(5)</sup>	
QFN ( $\theta_{JA}$ )	
Still-Air	.....61°C/W
QFN ( $\psi_{JB}$ )	
Junction-to-Board	.....38°C/W

**DC Electrical Characteristics<sup>(7)</sup>**

$T_A = -40^\circ\text{C}$  to  $+85^\circ\text{C}$ , unless otherwise noted.

Symbol	Parameter	Condition	Min.	Typ.	Max.	Units
$V_{CC}$	Power Supply		2.375		2.625	V
			2.97		3.63	
$I_{CC}$	Power Supply Current	With load, for either 2.5V or 3.3V supply		42	60	mA
$R_{IN}$	Differential Input Resistance (DATA, /DATA or CLK, /CLK)		90	100	110	$\Omega$
$V_{IH}$	Input HIGH Voltage (DATA, /DATA or CLK, /CLK)	Note 8	1.2		$V_{CC}$	V
$V_{IL}$	Input LOW Voltage (DATA, /DATA or CLK, /CLK)	Note 8	0		$V_{IH} - 0.1$	V
$V_{IN}$	Input Voltage Swing (DATA, /DATA or CLK, /CLK)	Note 8, see Figure 4	100			mV
$V_{DIFF\_IN}$	Differential Input Voltage Swing (DATA, /DATA) or (CLK, /CLK)	Note 8, see Figure 5	200			mV
$ I_{IN} $	Input Current (DATA, /DATA) or (CLK, /CLK)	Note 8			21	mA

**Notes:**

- Permanent device damage may occur if the ratings in the Absolute Maximum Ratings are exceeded. This is a stress rating only and functional operation is not implied for conditions other than those detailed in the operational sections of this data sheet. Exposure to absolute maximum ratings conditions for extended periods may affect device reliability.
- The data sheet limits are not guaranteed if the device is operated beyond the operating ratings.
- Package thermal resistance assumes exposed pad is soldered (or equivalent) to the device's most negative potential on the PCB.  $\psi_{JB}$  uses 4-layer  $\theta_{JA}$  in still-air, unless otherwise stated.
- Due to the limited drive capability use for input of the same package only.
- The circuit is designed to meet the DC specifications shown in the DC Electrical Characteristics chart after thermal equilibrium has been established.
- Due to the internal termination (see [Input and Output Stage Internal Termination](#)) the input current depends on the applied voltages at DATA, /DATA and VTDATA inputs, or the CLK, /CLK and VTCLK inputs. Do not apply a combination of voltages that causes the input current to exceed the maximum limit.

## LVTTL/CMOS DC Electrical Characteristics<sup>(9)</sup>

$V_{CC} = 2.5V \pm 5\%$  or  $3.3V \pm 10\%$ ;  $T_A = -40^\circ C$  to  $+85^\circ C$ , unless otherwise noted.

Symbol	Parameter	Condition	Min.	Typ.	Max.	Units
$V_{IH}$	Input HIGH Voltage		2.0			V
$V_{IL}$	Input LOW Voltage				0.8	mV
$I_{IH}$	Input HIGH Current		-50		20	$\mu A$
$I_{IL}$	Input LOW Current		-100			$\mu A$

## CML Outputs DC Electrical Characteristics<sup>(9)</sup>

$V_{CC} = 2.5V \pm 5\%$  or  $3.3V \pm 10\%$ ;  $R_L = 100\Omega$  across output pair or equivalent;  $T_A = -40^\circ C$  to  $+120^\circ C$ , unless otherwise noted.

Symbol	Parameter	Condition	Min.	Typ.	Max.	Units
$V_{OH}$	Output HIGH Voltage (Q, /Q)	$R_L = 50\Omega$ to $V_{CC}$	$V_{CC} - 0.020$		$V_{CC}$	V
$V_{OUT}$	Output Voltage Swing (Q, /Q)	See Figure 4	325	400		mV
$V_{DIFF\_OUT}$	Differential Output Voltage Swing (Q, /Q)	See Figure 5	650	800		mV
$R_{OUT}$	Output Source Impedance (Q, /Q)		45	50	55	$\Omega$

## AC Electrical Characteristics<sup>(10)</sup>

$V_{CC} = 2.5V \pm 5\%$  or  $3.3V \pm 10\%$ ;  $R_L = 100\Omega$  across output pair or equivalent;  $T_A = -40^\circ C$  to  $+85^\circ C$ , unless otherwise noted.

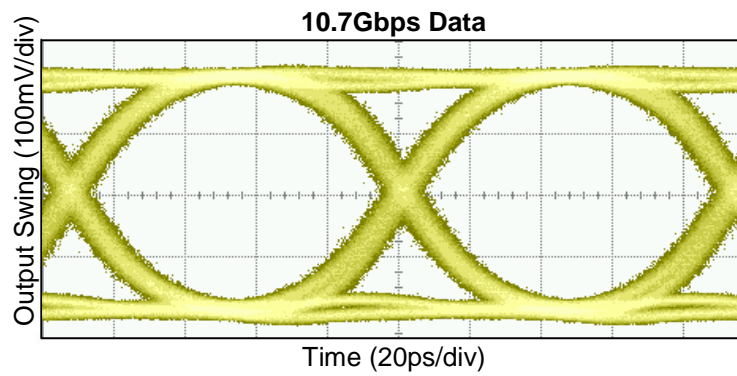
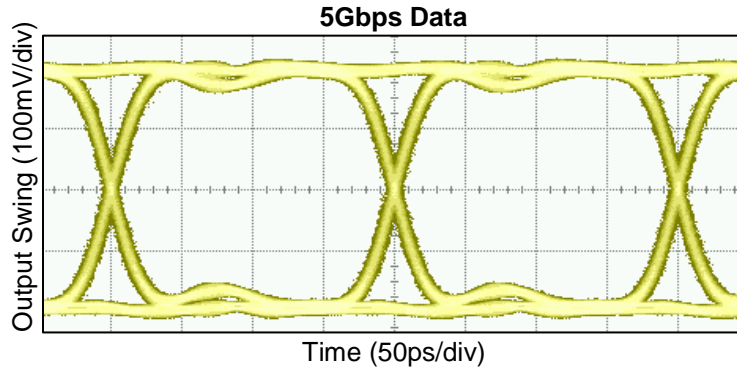
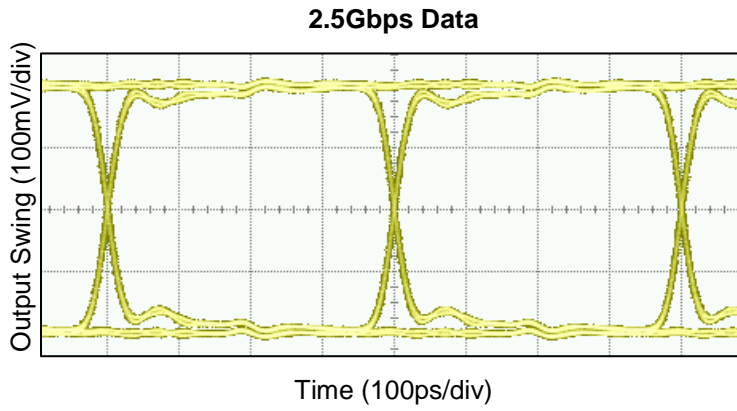
Symbol	Parameter	Condition	Min.	Typ.	Max.	Units
$f_{MAX}$	Maximum Operating Frequency	Clock	10.7			GHz
		Data	10.7			Gbps
$t_{PD}$	Propagation Delay (CLK-to-Q)		70		160	ps
$t_{RESET}$	Propagation Delay (Reset-to-Q)				300	ps
$t_S$	Set-Up Time		20			ps
$t_H$	Hold Time		20			ps
$t_{RR}$	Reset Recovery Time	$V_{TH} = V_{CC}/2$	250			ps
$t_{JITTER}$	Random Jitter ( $R_J$ )	Typical values at ambient temperature <sup>(11)</sup> .		0.3	1	$ps_{RMS}$
	Deterministic Jitter ( $D_J$ )	Typical values at ambient temperature <sup>(12)</sup> .		3	10	$ps_{PP}$
	Total Jitter ( $T_J$ )	Clock <sup>(13)</sup>			10	
		Data <sup>(13)</sup>			14	
$t_r, t_f$	Rise/Fall Times (20% to 80%)	At full output swing		30	50	ps

### Notes:

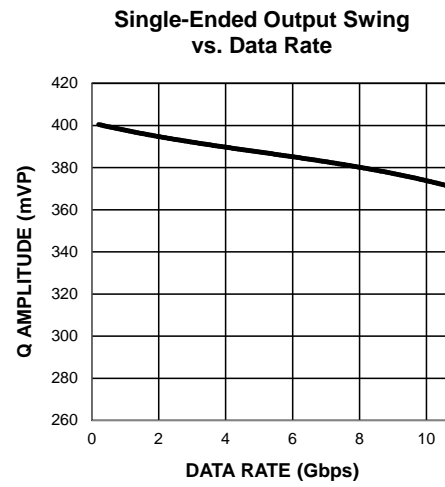
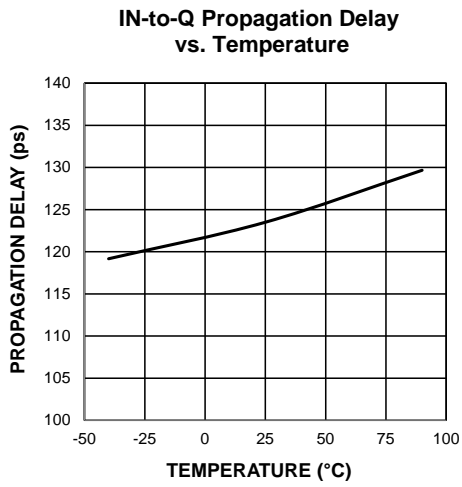
- The circuit is designed to meet the DC specifications shown in the above table after thermal equilibrium has been established.
- Measured with 100mV input swing (see Timing Diagrams for definition of parameters). High-frequency AC-parameters are guaranteed by design and characterization.
- $R_J$  is measured with a K28.7 comma detect character pattern, measured at 10.7Gbps and 2.5Gbps.
- $D_J$  is measured at 10.7Gbps and 2.5Gbps, with both K28.5 and  $2^{23}-1$  PRBS pattern.
- Total jitter definition: with an ideal clock input frequency of  $\leq f_{MAX}$ , no more than one output edge in  $10^{12}$  output edges will deviate by more than the specified peak-to-peak jitter value.

## Typical Operating Characteristics

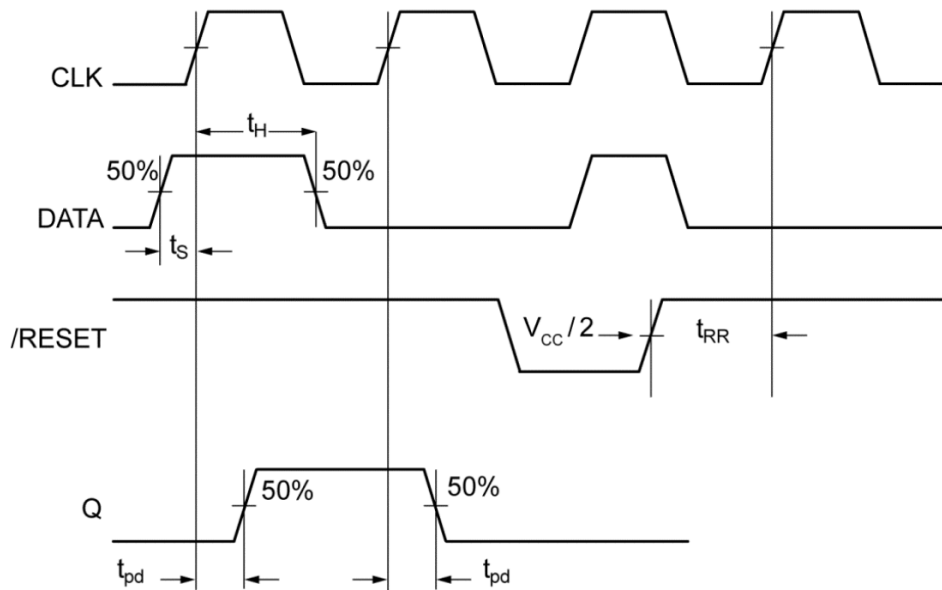
V<sub>CC</sub> = 3.3V, GND = 0V, CLK = 400mV, DATA = 400mV, T<sub>A</sub> = +25°C



### Typical Operating Characteristics (Continued)



## Timing Diagram



## Input and Output Stage Internal Termination

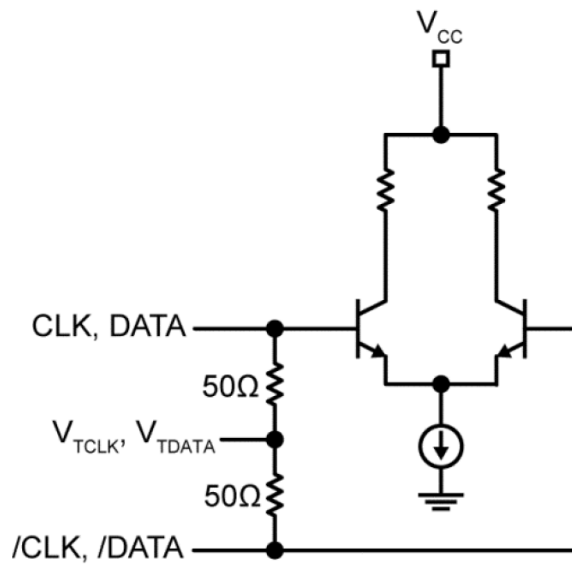


Figure 1. Simplified Differential Input Stage



## Input and Output Stage Internal Termination (Continued)

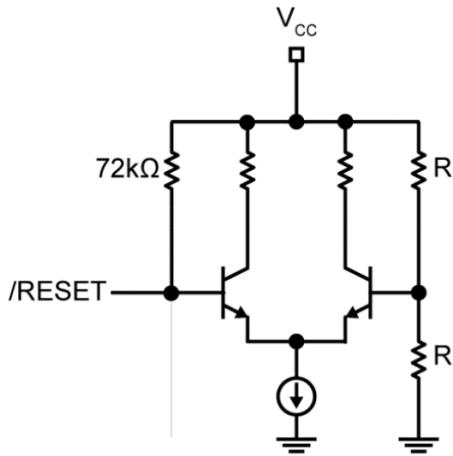


Figure 2. Simplified TTL/CMOS Input

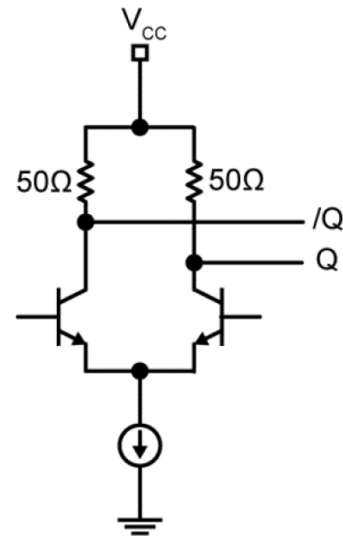


Figure 3. Simplified Differential Output Stage

## Operating Characteristics

Definition of single-ended and differential swings.

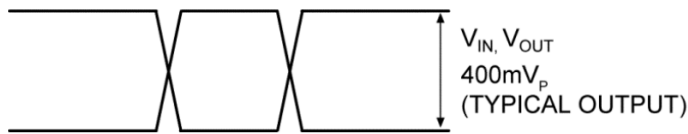


Figure 4. Single-Ended Swing

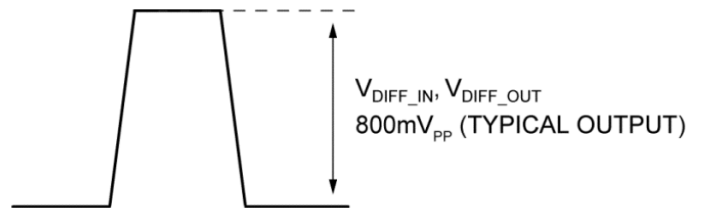
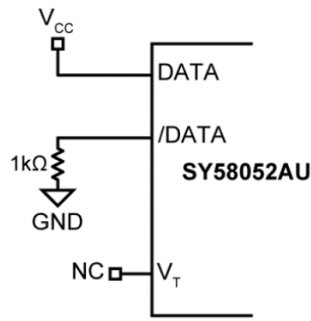


Figure 5. Differential Swing

# Input Interface Applications



NOTE: INPUT HIGH LEVEL SHOWN

Figure 6. Static Input Level

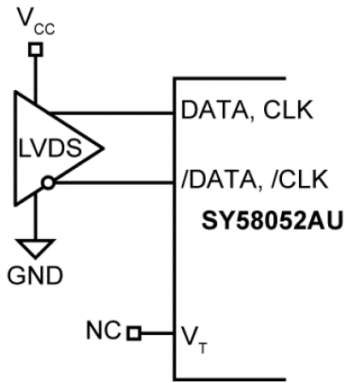
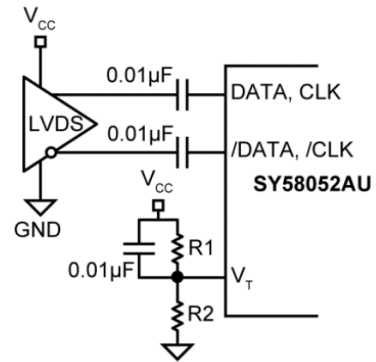


Figure 7. LVDS Interface (DC-Coupled)



NOTE: R1 = 1kΩ, R2 = 1.4kΩ

Figure 8. LVDS Interface (AC-Coupled)  
Note: Be certain that the LVDS driver can be AC-coupled.

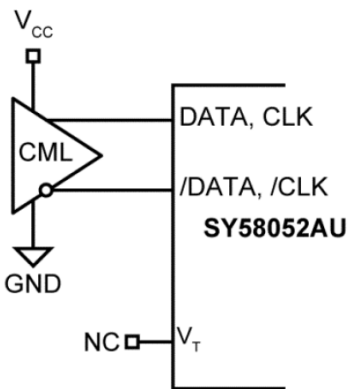
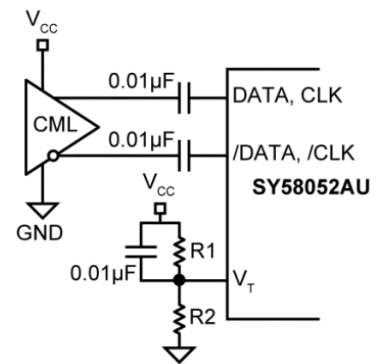


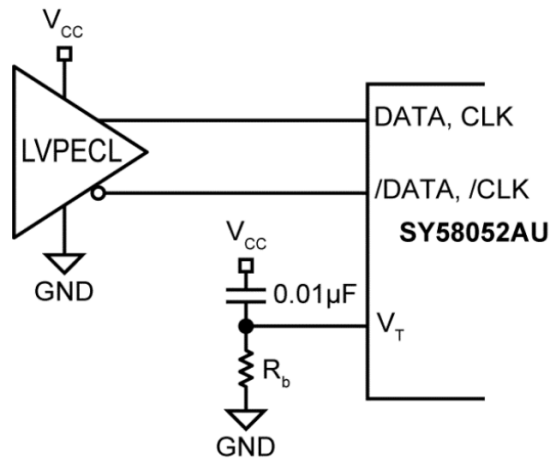
Figure 9. CML Interface (DC-Coupled)  
(OPTION: V<sub>T</sub> may be connected to V<sub>CC</sub>)



NOTE: R1 = 1kΩ, R2 = 1.4kΩ

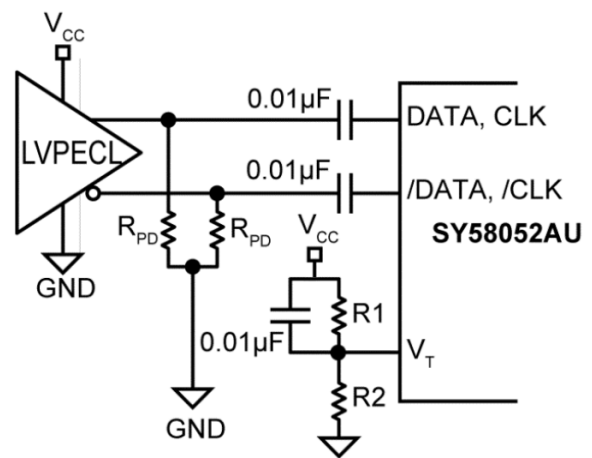
Figure 10. CML Interface (AC-Coupled)

## Input Interface Applications (Continued)



NOTE: FOR 3.3V SUPPLY,  $R_b = 50\Omega$   
 FOR 2.5V SUPPLY,  $R_b = 19\Omega$

Figure 11. LVPECL Interface (DC-Coupled)



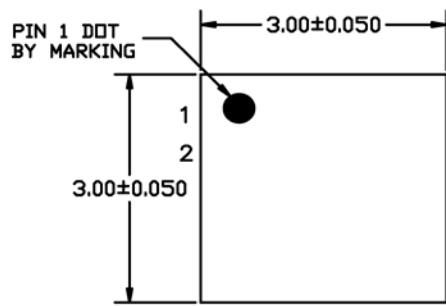
NOTE: FOR 2.5V,  $R_{PD} = 50\Omega$ ,  $R1 = 1k\Omega$ ,  $R2 = 1.4k\Omega$ .  
 FOR 3.3V,  $R_{PD} = 100\Omega$ ,  $R1 = 1k\Omega$ ,  $R2 = 1.4k\Omega$

Figure 12. LVPECL Interface (AC-Coupled)

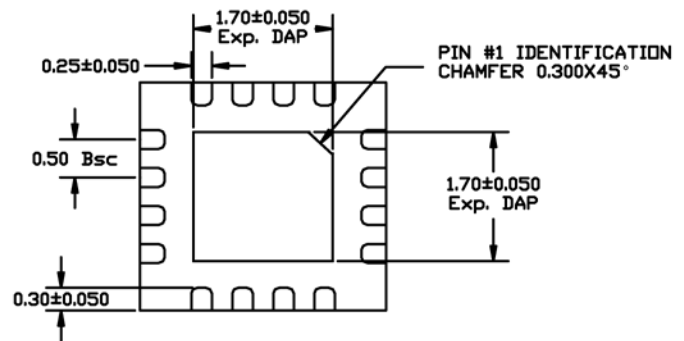
## Related Product and Support Documentation

Part Number	Function	Data Sheet Link
SY58016L	3.3V 10Gbps Differential CML Line Driver/Receiver with Internal Termination	<a href="http://www.micrel.com/product-info/products/sy58061l.shtml">www.micrel.com/product-info/products/sy58061l.shtml</a>
SY58051AU	10.7Gbps AnyGate <sup>®</sup> with Internal Input and Output Termination	<a href="http://www.micrel.com/_PDF/HBW/SY58051AU.pdf">www.micrel.com/_PDF/HBW/SY58051AU.pdf</a>
HBW Solutions	New Products and Applications	<a href="http://www.micrel.com/product-info/products/solutions.shtml">www.micrel.com/product-info/products/solutions.shtml</a>

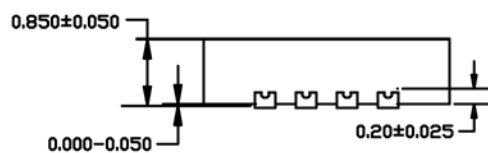
**Package Information<sup>(14)</sup>**



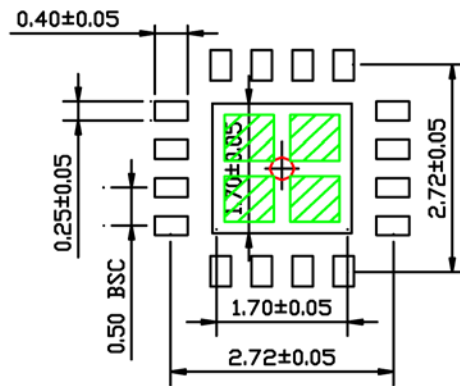
**TOP VIEW**  
NOTE 1, 2, 3



**BOTTOM VIEW**  
NOTE 1, 2, 3



**SIDE VIEW**  
NOTE 1, 2, 3



**RECOMMENDED LAND PATTERN**  
NOTE 4, 5

**NOTE:**

1. MAXIMUM PACKAGE WARPAGE IS 0.05mm.
2. MAXIMUM ALLOWABLE BURR IS 0.076mm IN ALL DIRECTIONS
3. PIN #1 IS ON TOP AND WILL BE LASER MARKED.
4. RED CIRCLE IN LAND PATTERN INDICATES THERMAL VIA. SIZE SHOULD BE 0.30-0.35mm IN DIAMETER AND SHOULD BE CONNECTED TO GND FOR MAXIMUM THERMAL PERFORMANCE.
5. GREEN RECTANGLES (SHADED AREA) INDICATE SOLDER STENCIL OPENING ON EXPOSED PAD AREA. SIZE SHOULD BE 0.60mmx0.60mm IN SIZE, 0.20mm SPACING.

**16-Pin 3mm x 3mm QFN Package (MM)**

**Note:**

14. Package information is correct as of the publication date. For updates and most current information, go to [www.micrel.com](http://www.micrel.com).

---

**MICREL, INC. 2180 FORTUNE DRIVE SAN JOSE, CA 95131 USA**  
TEL +1 (408) 944-0800 FAX +1 (408) 474-1000 WEB <http://www.micrel.com>

Micrel makes no representations or warranties with respect to the accuracy or completeness of the information furnished in this data sheet. This information is not intended as a warranty and Micrel does not assume responsibility for its use. Micrel reserves the right to change circuitry, specifications and descriptions at any time without notice. No license, whether express, implied, arising by estoppel or otherwise, to any intellectual property rights is granted by this document. Except as provided in Micrel's terms and conditions of sale for such products, Micrel assumes no liability whatsoever, and Micrel disclaims any express or implied warranty relating to the sale and/or use of Micrel products including liability or warranties relating to fitness for a particular purpose, merchantability, or infringement of any patent, copyright or other intellectual property right.

Micrel Products are not designed or authorized for use as components in life support appliances, devices or systems where malfunction of a product can reasonably be expected to result in personal injury. Life support devices or systems are devices or systems that (a) are intended for surgical implant into the body or (b) support or sustain life, and whose failure to perform can be reasonably expected to result in a significant injury to the user. A Purchaser's use or sale of Micrel Products for use in life support appliances, devices or systems is a Purchaser's own risk and Purchaser agrees to fully indemnify Micrel for any damages resulting from such use or sale.

© 2014 Micrel, Incorporated.