

REVISIONS			
REV	DESCRIPTION	DATE	APPROVED

ECS Part Numbers	Frequency
ECS-48.97-CDX-0065	4.8970 MHz
ECS-60.63-CDX-0066	6.0630 MHz
ECS-64.983-CDX-0067	6.4983 MHz
ECS-67.458-CDX-0068	6.7458 MHz

Electrical Characteristics

Parameters	Value
Frequency Tolerance @ +25°C	± 50 PPM Max.
Temperature Stability (-10° to +70°C)	± 100 PPM Max.
Equivalent Resistance 4.8970 to 4.99 MHz 6.0630 to 6.7458 MHz	100 Ohms Max. 70 Ohms Max.
Crystal Q	105K Min.
Shunt Capacitance	7 pF Max.
Load Capacitance	20 pF
Drive Level	500 µW Max.
Aging (First Year @ +25°C)	± 5 PPM Max.
Operating Temperature	-10 to +70°C
Storage Temperature	-30 to +85°C

Package Dimensions (mm)

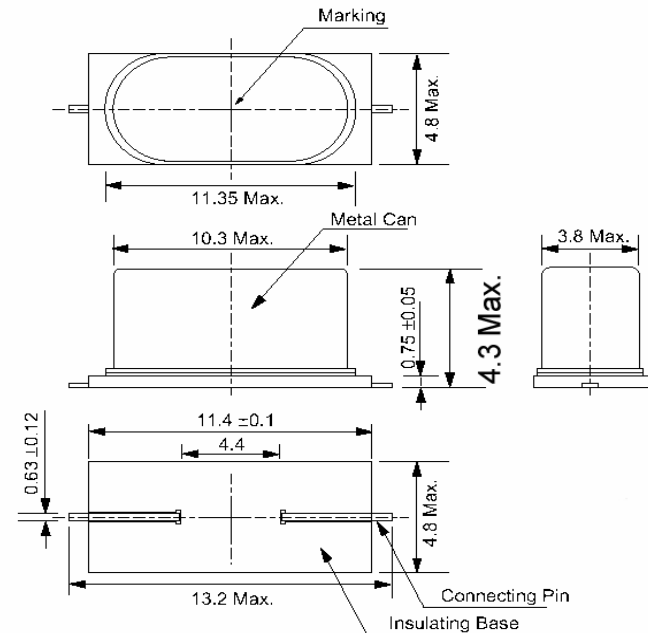


Figure 1) Top, Side and Bottom views



ECS INC. INTERNATIONAL 1105 S. Ridgeview Olathe, KS 66062 (913) 782-7787 www.ecsxtal.com		
SIGNATURES		TITLE
DRN RC	DATE 9/19/2005	SMD Crystal, ECS Model CSM-7, Used with MICRF011/022/002
CHK DK	DATE 9/19/2005	
APP BS	DATE 9/19/2005	
SIZE	DWG NO	REV
A	ECS-CDX-0065-0068	-
Dimensions in mm		CAGE CODE: 1G8B7
		SHEET 1 OF 1