

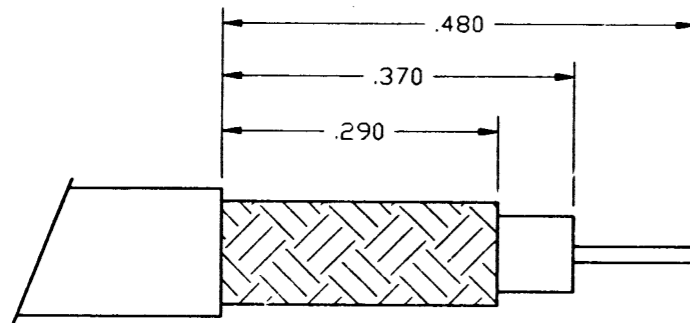
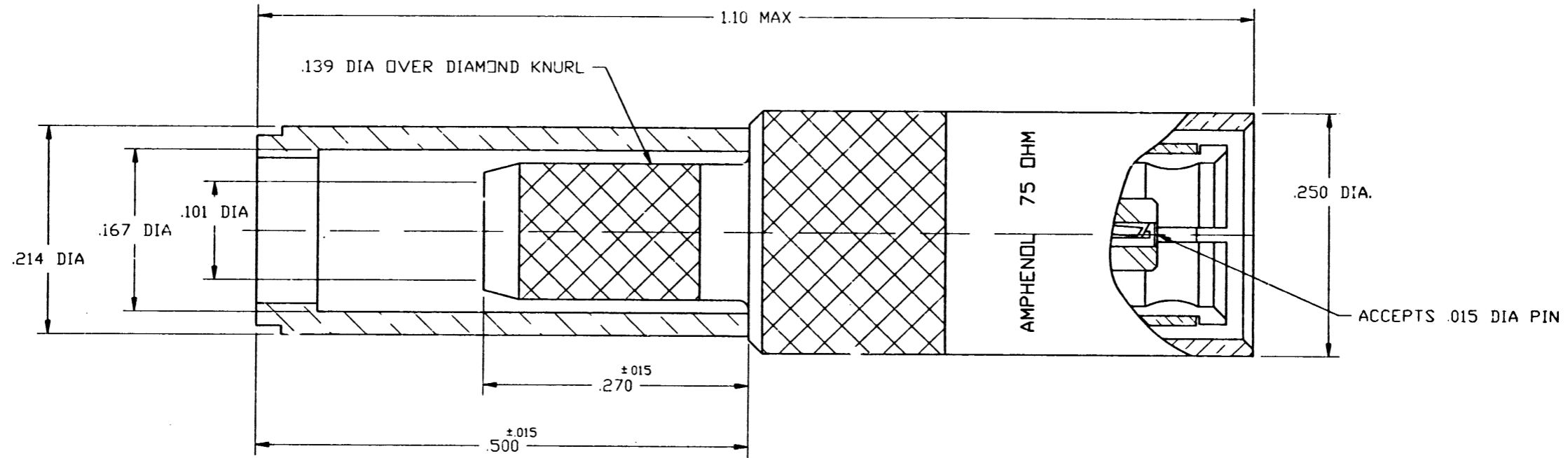
NOTES:

- DO NOT SCALE THIS DRAWING.
- PLATING MUST CONFORM TO AMPHENOL SPEC 349-50560. CONTACTS ARE GOLD PLATED, OTHER METAL PARTS ARE NICKEL PLATED.
- FOR ASSEMBLY INSTRUCTIONS SEE 349-50618 SHEET 2.

903-516P-71S

REVISIONS

DRAWING NO.	REV	DESCRIPTION	DATE	ECO	APPR
THIRD ANGLE PROJ.	A	OFFICIAL ENG. RELEASE TO MFG.	8-18-95	40889	PB/
	B	1.10 MAX WAS .95 REF, REVISE CABLE DIM	12-1-95	40994	PB/



CABLE STRIPPING DIMENSIONS

CUSTOMER DRAWING

DESIGNED FOR USE WITH AT&T CABLE 735A

UNLESS OTHERWISE SPECIFIED, DIMENSIONS ARE IN INCHES AND TOLERANCES ARE:
 2 PLACE DECIMAL ±.015 (0,381 mm)
 3 PLACE DECIMAL ±.005 (0,127 mm)
 ANGLES ± 1'

NOTICE - These drawings, specifications, or other data (1) are, and remain the property of Amphenol Corp. (2) must be returned upon request; and (3) are confidential and not to be disclosed to any person other than those to whom they are given by Amphenol Corp. The furnishing of these drawings, specifications, or other data by Amphenol Corp., or to any other person for any purpose is not to be regarded by implication or otherwise in any manner licensing, granting rights or permitting such holder or any other person to manufacture, use or sell any product, process or design, patented or otherwise, that may in any way be related to or disclosed by said drawings, specifications, or other data.

MATERIAL

REFERENCE

EAR 111-964685
 111-964730 2
 KS 24191 L2 ISSUE 1
 615X-1351-506

DRAWN

P. BRENZEL

ENGINEER

APPROVED

R. VACCARD

CAD FILE

H:\PETE\SMB\903\ASSY\516P71SC

DATE

8-9-95

DATE

8-10-95

TITLE

SMB 75 OHM
 PLUG

CODE ID
 74868

DWG SIZE
 B

DRAWING NO.

903-516P-71S

Amphenol
 Amphenol Corporation
 RF/Microwave Operations
 Danbury, Conn. U.S.A. 06810

SCALE: 8:1 SHEET 2 OF 2

ISSUE
 B