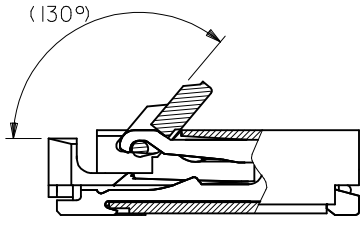
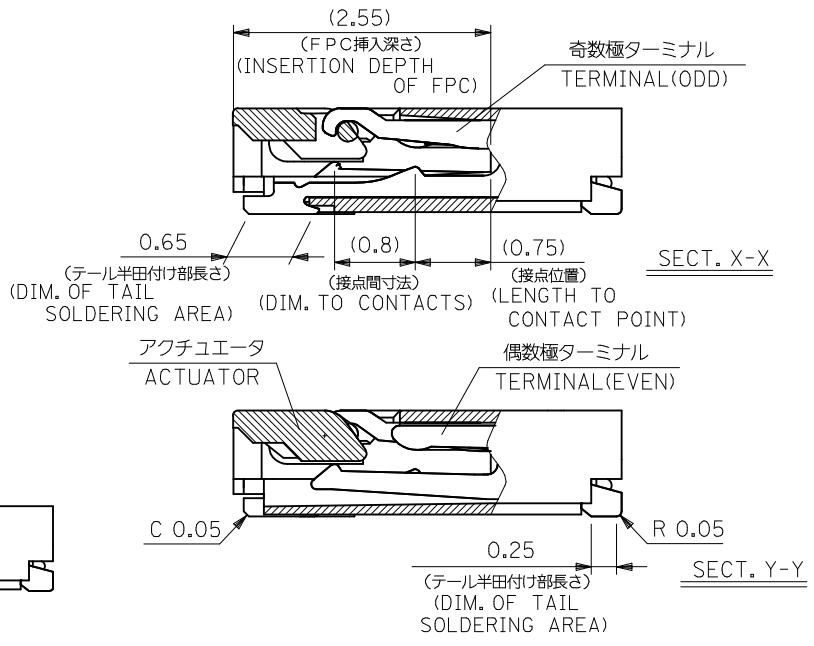
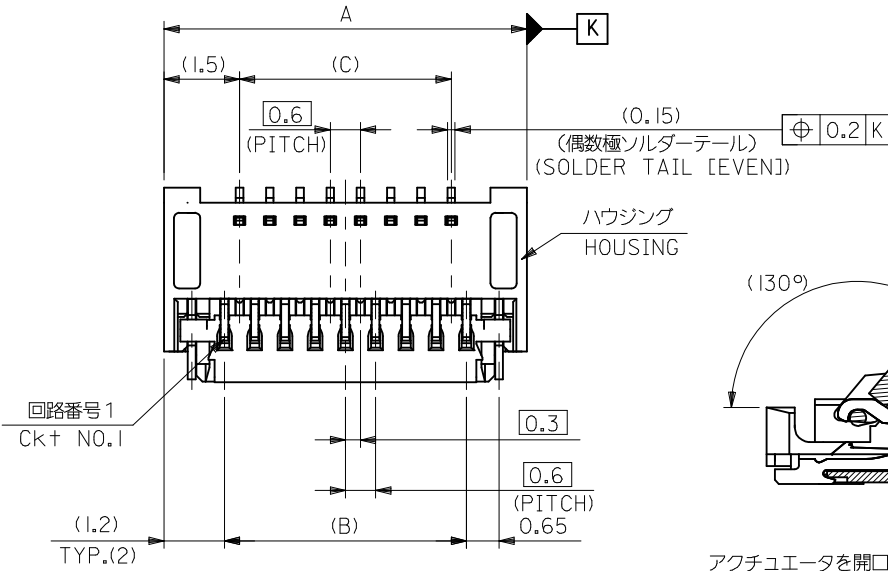
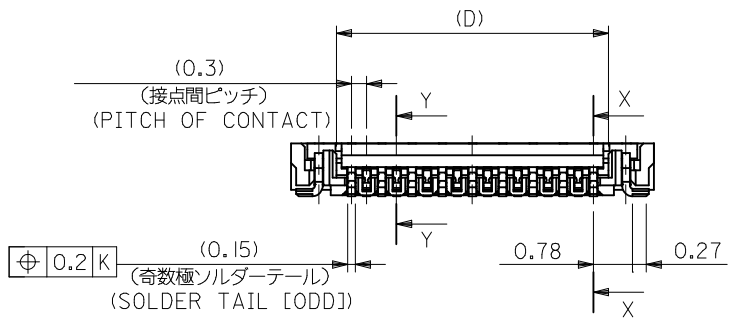
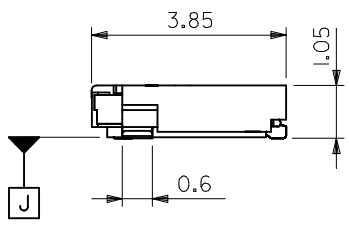


10 9 8 7 6 5 4 3 2 1



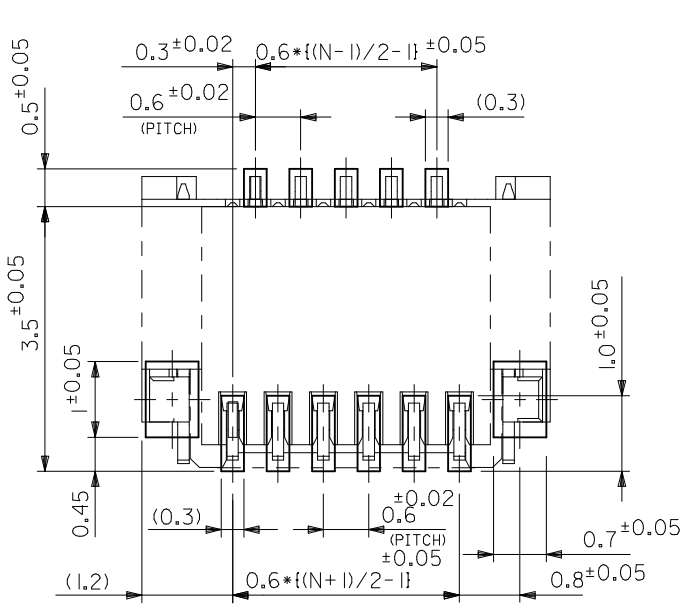
アクチュエータを開口した状態
WHEN ACTUATOR IS OPENED



15.6	14.4	15.0	17.4	500797-5194	500797-5150	51
12.6	11.4	12.0	14.4	500797-4194	500797-4150	41
12.0	10.8	11.4	13.8	500797-3994	500797-3950	39
10.2	9.0	9.6	12.0	500797-3394	500797-3350	33
9.6	8.4	9.0	11.4	500797-3194	500797-3150	31
8.4	7.2	7.8	10.2	500797-2794	500797-2750	27
7.8	6.6	7.2	9.6	500797-2594	500797-2550	25
7.2	6.0	6.6	9.0	500797-2394	500797-2350	23
3.6	2.4	3.0	5.4	500797-1194	500797-1150	11
D	C	B	A	EMBOSSED TAPE ORDER No. オーダー番号	MATERIAL NO.	CKT.

REVISED EC NO: J2015-0953 DRAWN: INOUE01 2015/01/15 CHKD: HIJIMA 2015/01/21 APPR: YNOGAWA 2015/01/28	GENERAL TOLERANCES (UNLESS SPECIFIED)		DIMENSION STYLE MM ONLY		SCALE ---	DESIGN UNITS METRIC	THIRD ANGLE PROJECTION
	0.25 UNDER	UNDER	±0.03	DRAWN BY YMAEDA	DATE 2006/03/07	TITLE 0.3 FPC CONN E/O HSG ASSY (HGT=1.05MM) GOLD PLATING -LEAD FREE-	
	0.25 OVER	0.5 UNDER	±0.05	CHECKED BY MTANAKA	DATE 2006/03/07	molex DOCUMENT NO. SD-500797-005 SHEET NO. 1 OF 2	
	0.5 OVER	1.0 UNDER	±0.1	APPROVED BY NUKITA	DATE 2006/03/07		
	1.0 OVER	30 UNDER	±0.2	MATERIAL NO.	SEE TABLE		
30 OVER		±0.3	DRAFT WHERE APPLICABLE MUST REMAIN WITHIN DIMENSIONS				

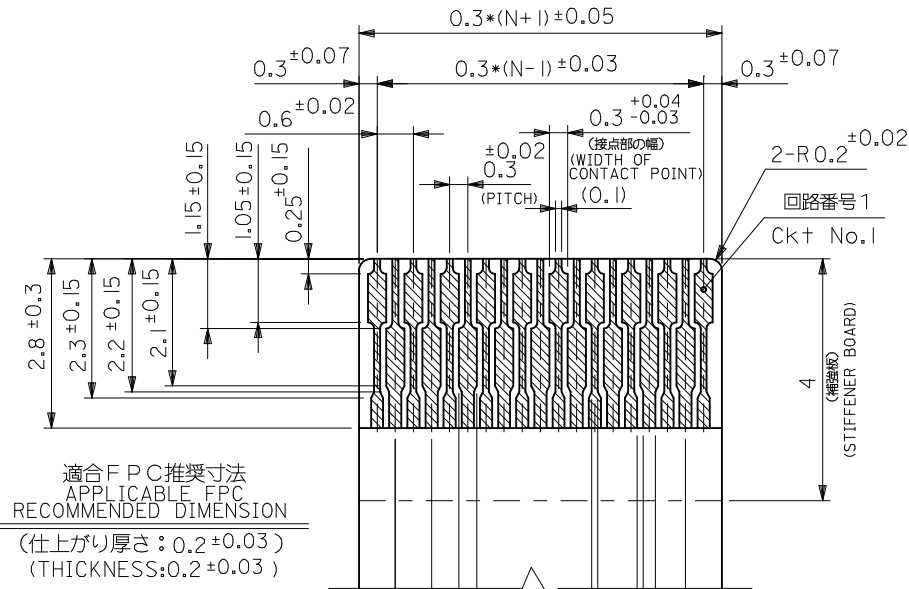
9 8 7 6 5 4 3 2 1



参考基板レイアウト図
(マウント面)
(MOUNTING SIDE)

注記 NOTES

1. 使用材料 MATERIAL
 ハウジング : 液晶ポリマー ガラス充填 UL94V-0
 HOUSING : LIQUID CRYSTAL POLYMER (GLASS FILLED) UL94V-0
 アクチュエータ : 46 ナイロン ガラス充填 UL94V-0
 ACTUATOR : 46 NYLON (GLASS FILLED) UL94V-0
 ターミナル : 銅合金 (t=0.15), ニッケル下地金メッキ
 TERMINAL : COPPER ALLOY, GOLD OVER NICKEL PLATING.
 金具 : リン青銅 (t=0.15), ニッケル下地スズメッキ
 FITTING NAIL : PHOSPHOR-BRONZE, TIN OVER NICKEL PLATING.
 △ ソルダータール半田付け面のズレ量、及び金具半田付け面のズレ量は、基準面 □ に対し、
 上方向 0.1MAXIMUM 下方向 0.15MAXIMUM とする。
 又、相互のバラツキ量は 0.1MAXIMUM とする。
 MISALIGNMENT OF SOLDER TAILS AND FITTING NAILS FROM □
 UPPER DIRECTION : 0.1 MAXIMUM, LOWER DIRECTION : 0.15 MAXIMUM.
 OFFSET BETWEEN SOLDER TAILS AND FITTING NAILS : 0.1 MAXIMUM.



適合FPC推奨寸法
 APPLICABLE FPC
 RECOMMENDED DIMENSION
 (仕上がり厚さ: 0.2±0.03)
 (THICKNESS: 0.2±0.03)

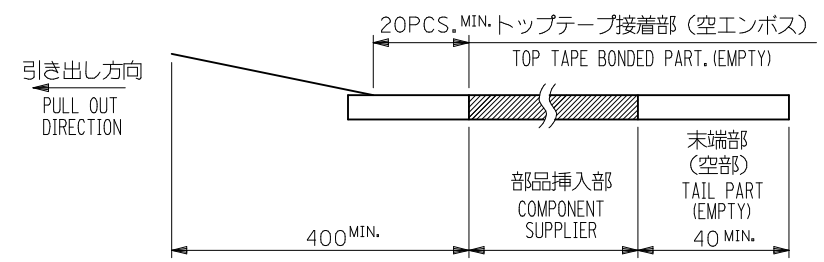
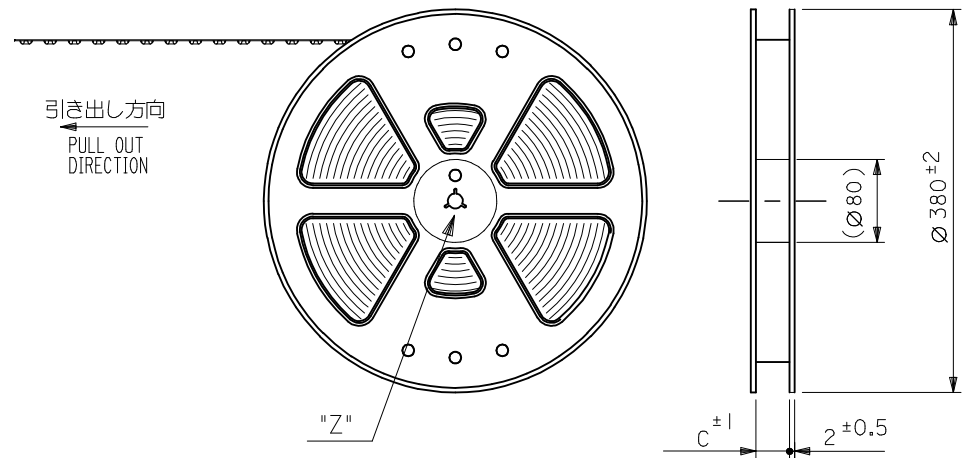
FPCについて:
 打抜き方向は導体側から補強板側を推奨いたします。
 導体部については軟銅箔35マイクロメートルまたは50マイクロメートルを
 推奨致します。
 補強フィルム材質はポリイミドを推奨します。
 接着剤は熱硬化接着剤を推奨します。

ABOUT FPC
 RECOMMENDED PUNCHER DIRECTION : FROM CONDUCTOR SIDE TO STIFFENER FILM SIDE.
 RECOMMENDED CONDUCTOR SPEC :
 THICKNESS OF SOFT COPPER FOIL : 35 MICROMETER OR 50 MICROMETER
 RECOMMENDED MATERIAL :
 STIFFENER FILM : POLYIMIDE
 BONDING AGENT : THERMOSETTING BONDING AGENT

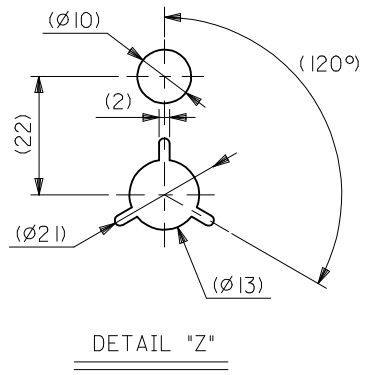
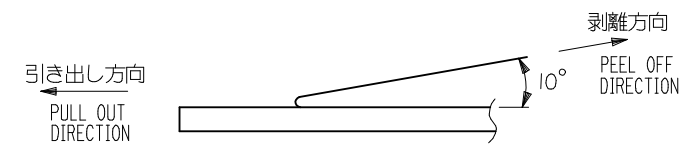
REVISED EC NO: J2015-0953 DRAWN: NINOUE01 2015/01/15 CHKD: HIJIMA 2015/01/21 APPR: YNOGAWA 2015/01/28	GENERAL TOLERANCES (UNLESS SPECIFIED)		DIMENSION STYLE MM ONLY		SCALE ---	DESIGN UNITS METRIC	MODEL NO. 500797-**50
	0.25 UNDER	UNDER	±0.03	DRAWN BY YMAEDA	DATE 2006/03/06	TITLE 0.3 FPC CONN E/O HSG ASSY (HGT=1.05MM) GOLD PLATING -LEAD FREE-	
	0.25 OVER	0.5 UNDER	±0.05	CHECKED BY MTANAKA	DATE 2006/03/06	SHEET NO. 2 OF 2	
	0.5 OVER	1.0 UNDER	±0.1	APPROVED BY NUKITA	DATE 2006/03/06	DOCUMENT NO. SD-500797-005	
	1.0 OVER	30 UNDER	±0.2	MATERIAL NO. SEE SHEET 1			
	10 OVER	30 UNDER	±0.25	SIZE A3		THIS DRAWING CONTAINS INFORMATION THAT IS PROPRIETARY TO MOLEX INCORPORATED AND SHOULD NOT BE USED WITHOUT WRITTEN PERMISSION	
	30 OVER		±0.3				
	ANGULAR	±3 °					
	DRAFT WHERE APPLICABLE MUST REMAIN WITHIN DIMENSIONS						

NOTES

- 製品詳細寸法については図面 SD-500797-005 を参照下さい。
RE DETAILED DIMENSION, SEE SD-500797-005
- 梱包数量：3000個/リール
NUMBER OF CONNECTORS : 3000PCS/REEL
- リードテープ長さ LEAD TAPE LENGTH

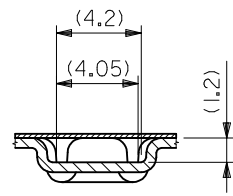
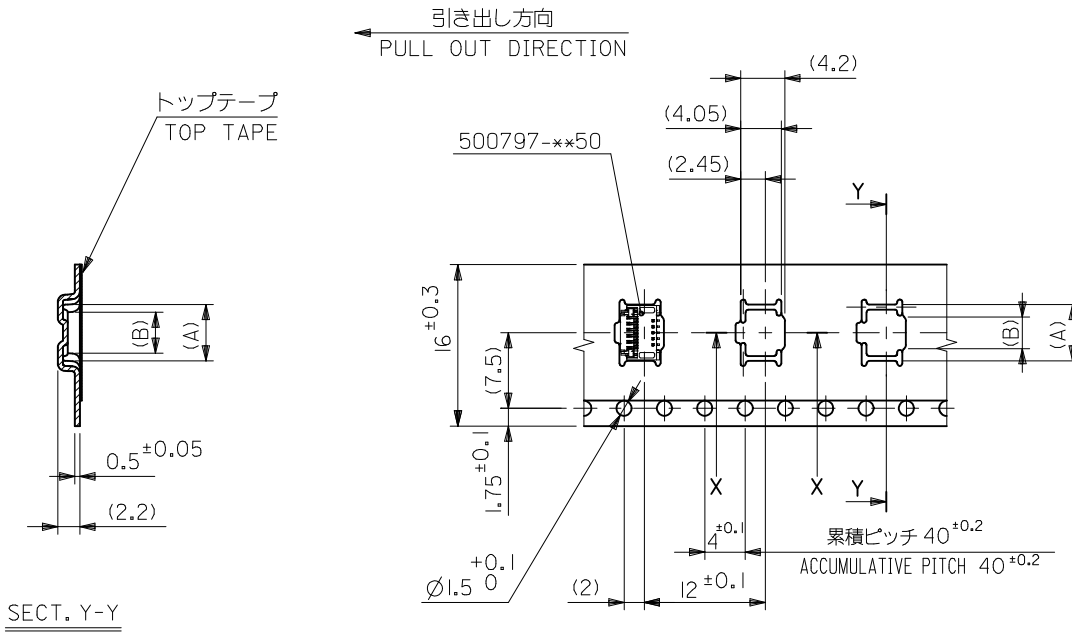


- トップテープの剥離強度：0.1N ~ 1.3N(10.2gf ~ 132.6gf)
(剥離方向は下図参照)
尚、本規格値は出荷時に適用。(但し、輸送時に剥離が発生しないこと。)
PEELING OFF FORCE OF TOP TAPE : 0.1N ~ 0.7N(10.2gf ~ 71.4gf)
(PEELING DIRECTION AS SHOWN IN FOLLOWING FIG,)
THIS REQUIREMENT SHOULD BE APPLIED AT SHIPMENT.
PEEL OFF SHOULD NOT BE ALLOWED , DURING TRANSPORTATION.



- 材料(MATERIAL)
キャリアテープ(CARRIER TAPE)：ポリプロピレン(POLYPROPYLENE)
トップテープ(TOP TAPE)：PET, PE, PEF
リール(REEL)：ポリスチレン(PS) <リサイクル材含む>
POLYSTYREN (PS) <RECYCLE MATERIAL CONTAINED>
- C寸法は SHEET 2 ~ 4 を参照下さい。
SEE SHEET 2 ~ 4 (DIMENSION C).
- 欠品無きこと。
THERE SHALL BE NO MISSING PRODUCTS.

REVISED EC NO: J2015-0953 DRAWN: INOUE01 2015/01/15 CHKD: HIJIMA 2015/01/21 APPR: YNOGAWA 2015/01/28	GENERAL TOLERANCES (UNLESS SPECIFIED)		DIMENSION STYLE MM ONLY		SCALE ---	500797-**94	MODEL NO.
	0.25 UNDER	UNDER	±0.03	DRAWN BY YMAEDA	DATE 2006/03/07	DESIGN UNITS METRIC	THIRD ANGLE PROJECTION
	0.25 OVER	0.5 UNDER	±0.05	CHECKED BY MTANAKA	DATE 2006/03/07	TITLE EMBSTP PKG FOR 0.3 FPC CONN (HGT=1.05MM) GOLD PLATING -LEAD FREE-	
	0.5 OVER	1.0 UNDER	±0.1	APPROVED BY NUKITA	DATE 2006/03/07	DOCUMENT NO. SD-500797-006	
	1.0 OVER	30 UNDER	±0.2	MATERIAL NO. SEE CHART		SHEET NO. 1 OF 4	
30 OVER		±0.3	DRAFT WHERE APPLICABLE MUST REMAIN WITHIN DIMENSIONS		THIS DRAWING CONTAINS INFORMATION THAT IS PROPRIETARY TO MOLEX INCORPORATED AND SHOULD NOT BE USED WITHOUT WRITTEN PERMISSION		
ANGULAR	±3 °		SIZE A3				

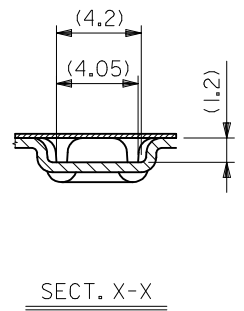
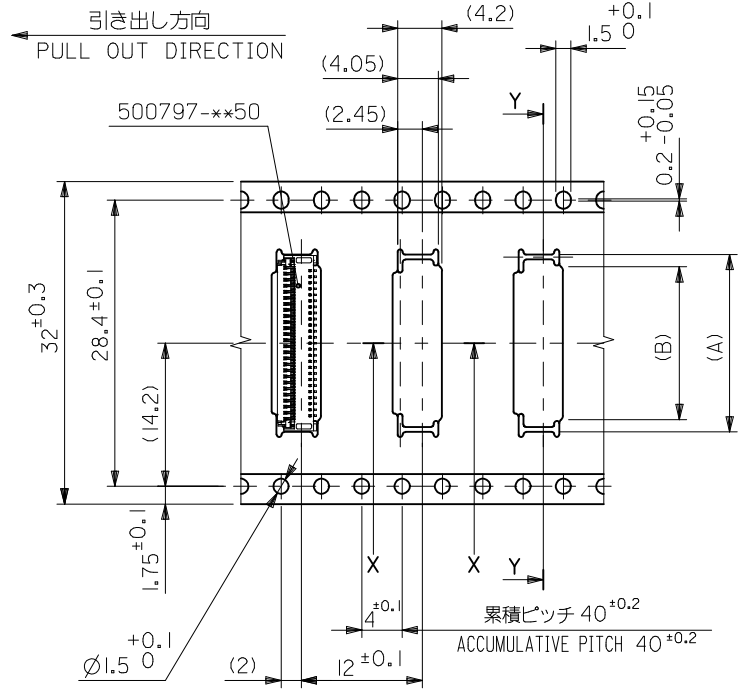
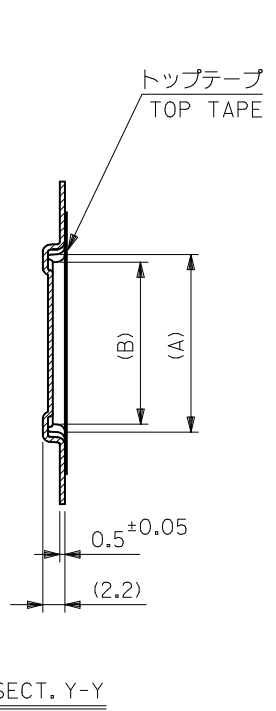


SECT. X-X

16mm幅キャリアテープ
16mm WIDTH CARRIER TAPE

16	17.5	3.4	5.6	500797-1194	11
キャリアテープ幅 CARRIER TAPE WIDTH	C	(B)	(A)	製品番号 MATERIAL No.	極数 Ck+
				500797-**94	MODEL No.

REVISED EC NO: J2015-0953 DRAWN: INOUE01 2015/01/15 CHKD: HIJIMA 2015/01/21 APPR: YNOGAWA 2015/01/28	GENERAL TOLERANCES (UNLESS SPECIFIED)			DIMENSION STYLE MM ONLY		SCALE ---	DESIGN UNITS METRIC	THIRD ANGLE PROJECTION
	0.25 UNDER	UNDER	± 0.03	DRAWN BY	DATE	TITLE		
	0.25 OVER	0.5 UNDER	± 0.05	YMAEDA	2006/03/07	EMBSTP PKG FOR 0.3 FPC CONN (HGT=1.05MM) GOLD PLATING -LEAD FREE-		
	0.5 OVER	1.0 UNDER	± 0.1	CHECKED BY	DATE	molex DOCUMENT NO. SD-500797-006 SHEET NO. 2 OF 4		
	1.0 OVER	10 UNDER	± 0.2	MTANAKA	2006/03/07			
10 OVER	30 UNDER	± 0.25	APPROVED BY	DATE				
30 OVER		± 0.3	NUKITA	2006/03/07				
ANGULAR	± 3 °		MATERIAL NO.					
DRAFT WHERE APPLICABLE MUST REMAIN WITHIN DIMENSIONS				SIZE A3	THIS DRAWING CONTAINS INFORMATION THAT IS PROPRIETARY TO MOLEX INCORPORATED AND SHOULD NOT BE USED WITHOUT WRITTEN PERMISSION			



32mm幅キャリアテープ
32mm WIDTH CARRIER TAPE

32	33.5	15.4	17.6	500797-5194	51
キャリアテープ幅 CARRIER TAPE WIDTH	C	(B)	(A)	製品番号 MATERIAL No.	極数 Ck+
				500797-**94	MODEL No.

REVISED EC NO: J2015-0953 DRW: NINOUE01 2015/01/15 CHK: DH I J IMA 2015/01/21 APPR: YNOGAWA 2015/01/28	GENERAL TOLERANCES (UNLESS SPECIFIED)			DIMENSION STYLE MM ONLY		SCALE ---	DESIGN UNITS METRIC		THIRD ANGLE PROJECTION	
	0.25 UNDER	UNDER	±0.03	DRAWN BY	DATE	TITLE				
	0.25 OVER	0.5 UNDER	±0.05	YMAEDA	2006/03/07	EMBSTP PKG FOR 0.3 FPC CONN (HGT=1.05MM) GOLD PLATING -LEAD FREE-				
	0.5 OVER	1.0 UNDER	±0.1	CHECKED BY	DATE	molex DOCUMENT NO. SD-500797-006 SHEET NO. 4 OF 4				
	1.0 OVER	30 UNDER	±0.2	MTANAKA	2006/03/07					
10 OVER	30 UNDER	±0.25	APPROVED BY	DATE	MATERIAL NO.					
30 OVER		±0.3	NUKITA	2006/03/07	SEE CHART					
ANGULAR ±3 °			DRAFT WHERE APPLICABLE MUST REMAIN WITHIN DIMENSIONS		THIS DRAWING CONTAINS INFORMATION THAT IS PROPRIETARY TO MOLEX INCORPORATED AND SHOULD NOT BE USED WITHOUT WRITTEN PERMISSION					