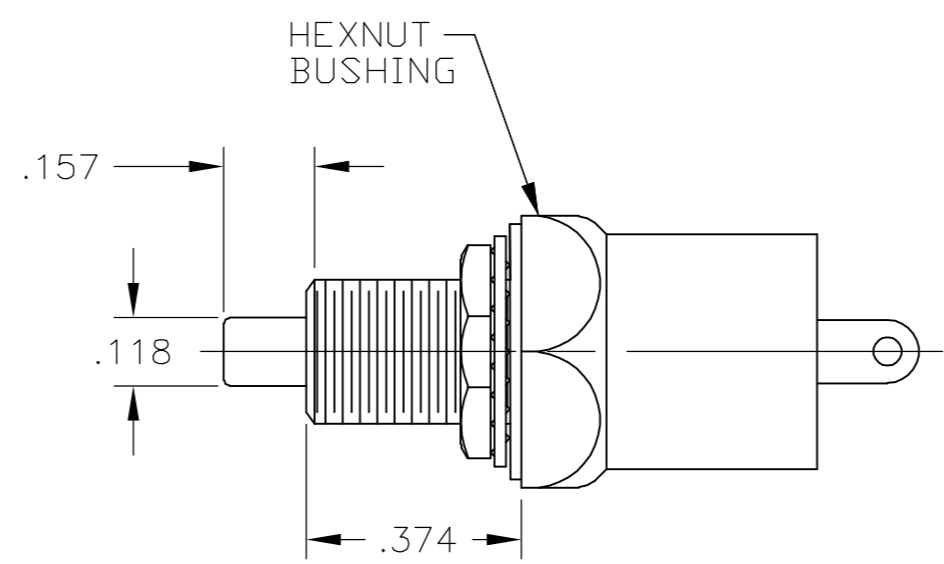
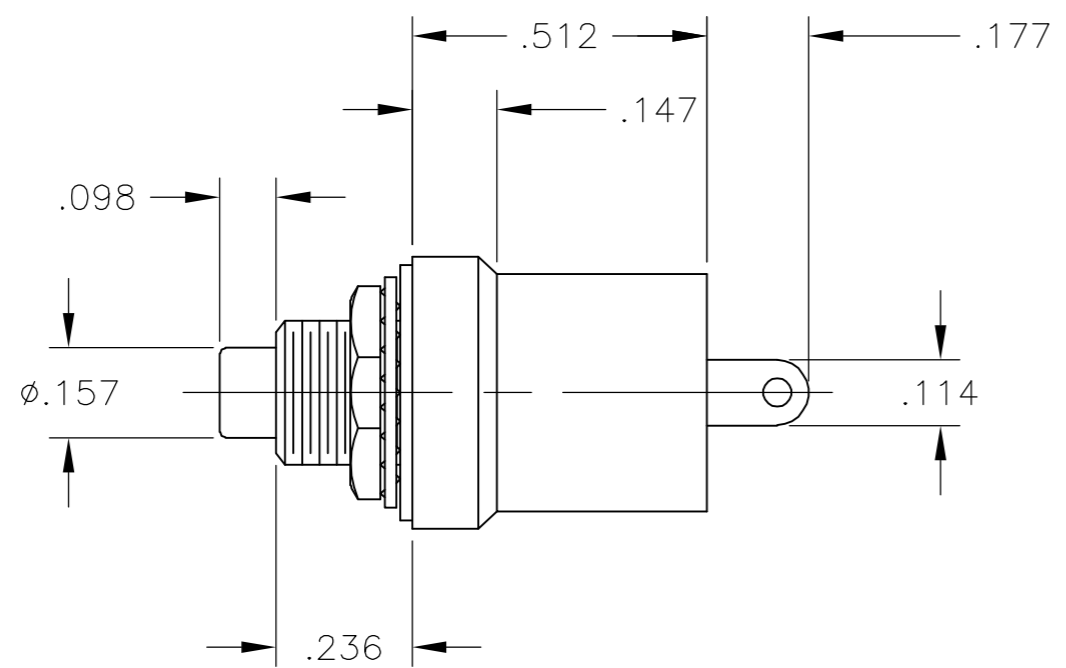


THIS DRAWING IS UNPUBLISHED. RELEASED FOR PUBLICATION
 © COPYRIGHT BY TYCO ELECTRONICS CORPORATION. ALL RIGHTS RESERVED.

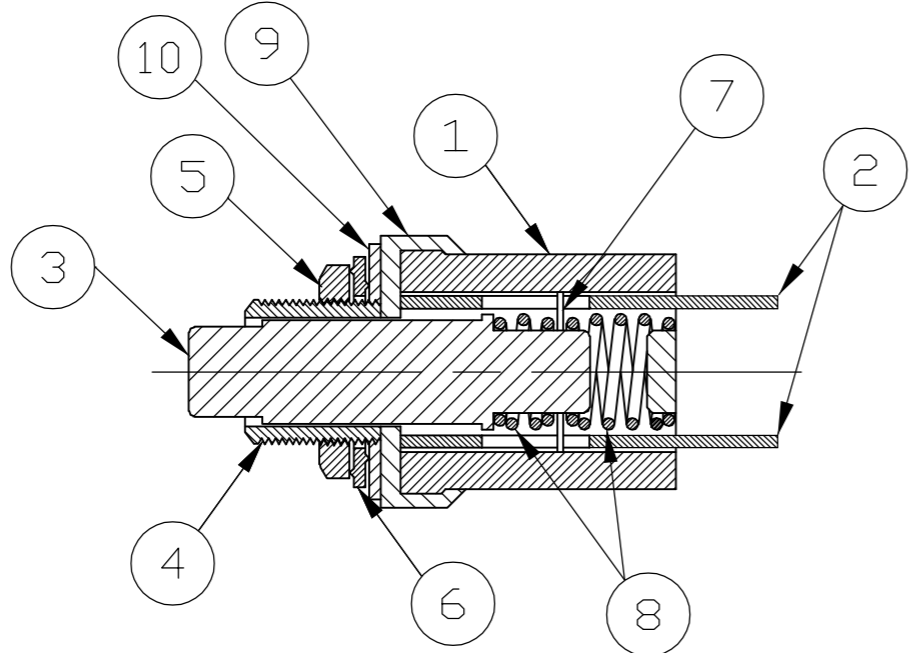
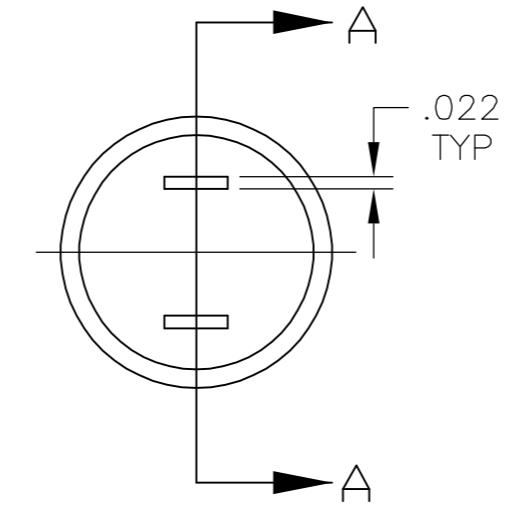
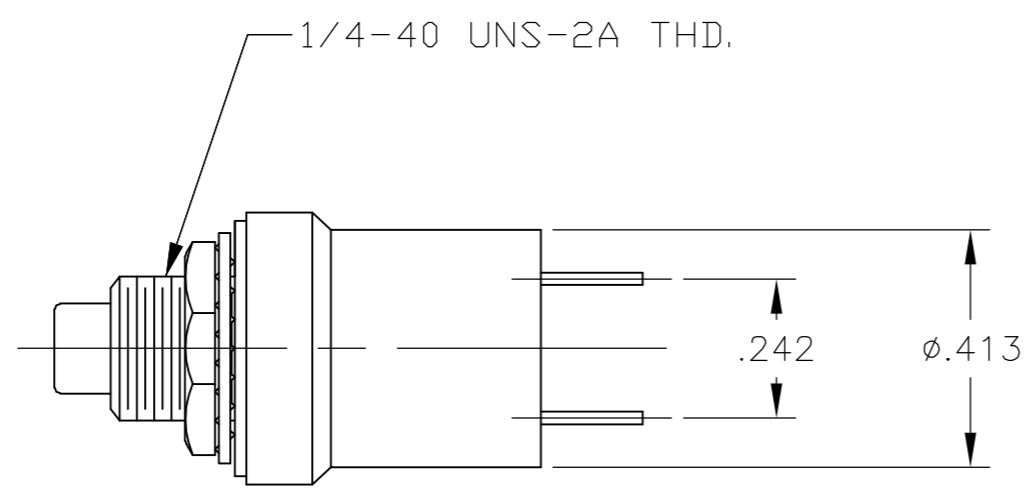
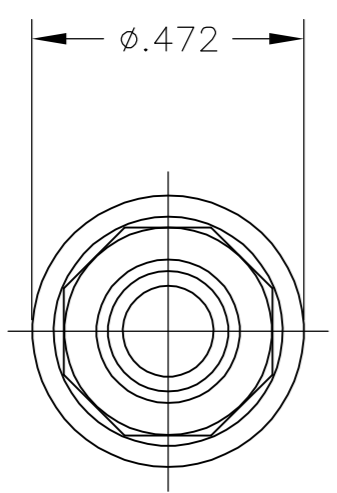
LOC	DIST	REVISIONS			
P	LTR	DESCRIPTION	DATE	DWN	APVD
AD	00	A	ECO-05-005651	20DEC05	MB MZ



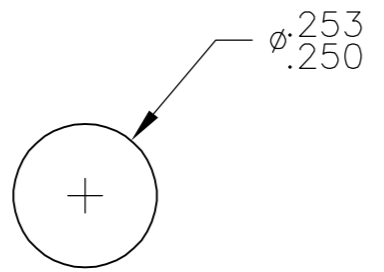
MSP103C2G04
ONLY

1. ALL MATERIAL AND FINISHES COMPLY WITH EC DIRECTIVE 2002/95/EC OF 27JAN2003 (ROHS)

Specifications	
Contact rating	min: 10mA @ 5 VAC/DC max: 25mA @ 20 VDC
Initial contact resistance	20 milliohms max at 1.5mA, 200 mvAC
Insulation resistance	100 megohms min at 500 VDC
Dielectric strength	1,000 VAC, 1 minute
Electrical Life	10,000 operations
Operating temperature	-20°C to 80°C
Storage temperature	-20°C to 80°C
Recommended solder temp	Hand solder 420°C max, 3 seconds max.



SECTION A-A



RECOMMENDED PANEL CUTOUT

Materials Chart				
Item	Component name	Base Material	Finish	Qty
1	Case	Phenol resin, Black, UL94-HB		1
2	Terminal	Copper alloy	Gold	2
3	Actuator button	Polycarbonate resin, UL94 V-2		1
4	Bushing	Brass	Nickel	1
5	Hex nut	Brass	Nickel	1
6	Lockwasher	Steel	Zinc	1
7	Movable contact	Copper alloy	Gold	1
8	Spring	Music wire	Oil treated	2
9	Insulating plate	Paper phenol resin, natural, UL94 HB		1
10	Flat Washer	Brass	Nickel	1

SPST	NC	Black	MSP103BG04	
SPST	NO	Red	MSP103C2G04	
SPST	NO	Black	MSP103COG04	1825333-1
SPST	NO	Red	MSP103CG04	
Type	Momentary action	Actuator button color	Alco P/N	Tyco P/N

THIS DRAWING IS A CONTROLLED DOCUMENT.		DWN M.BINNER 18AUG05	Tyco Electronics Corporation Harrisburg, PA 17105-3608	
DIMENSIONS: INCHES		CHK M.ZITTO 18AUG05		
TOLERANCES UNLESS OTHERWISE SPECIFIED:		APVD M.ZITTO 18AUG05	NAME SWITCH, PUSHBUTTON MSP103, GOLD	
0 PLC ± -		PRODUCT SPEC	SIZE CAGE CODE DRAWING NO RESTRICTED TO	
1 PLC ± -		APPLICATION SPEC	A2 00779 C=1825333	
2 PLC ± -		WEIGHT -	SCALE 1:1 SHEET 1 of 1 REV A	
3 PLC ± .005		CUSTOMER DRAWING		
4 PLC ± -				
ANGLES ± 1°				
FINISH -				