

3M™ POWER BACKPLANE FEMALE CONNECTOR FOR ATCA APPLICATIONS

NOTES:
 1. MATERIALS AND FINISH:
 INSULATOR: GLASS FILLED POLYESTER (PBT) UL94V-0
 CONTACTS: COPPER ALLOY

2. PLATING:
 -ES
 FINISH: 0.76um MIN Au
 UNDERCOAT: 1.27um MIN Ni
 -G
 FINISH: 0.25um MIN Au
 UNDERCOAT: 1.27um MIN Ni
 -DA
 FINISH: 0.08um MIN Au
 UNDERCOAT: 1.27um MIN Ni

3. ELECTRICAL CHARACTERISTICS
 INSULATION RESISTANCE --- 5×10^9 OHMS
 INITIAL CONTACT RESISTANCE
 POWER CONTACT ----- 2.2 MILLIOHMS MAX
 SIGNAL CONTACT ----- 8.5 MILLIOHMS MAX
 VOLTAGE PROOF
 PIN 1-16: 1000 VR.M.S
 PIN 17-34: 2000 VR.M.S
 CURRENT CARRYING CAPACITY
 SIGNAL PINS: 1A
 POWER PINS: 16A

4. SEE THE REGULATORY INFORMATION APPENDIX (RIA) IN THE "RoHS COMPLIANCE" SECTION OF: WWW.3MCONNECTOR.COM FOR COMPLIANCE INFORMATION (RIA E1 & C1 APPLY).

5. REFERENCE DOCUMENT: 78-9101-3345-9

6. IN THE EVENT OF CONFLICT BETWEEN THIS DATA AND THAT CONTAINED IN THE PRODUCT SPEC., THE PRODUCT SPEC. TAKES PRECEDENT.

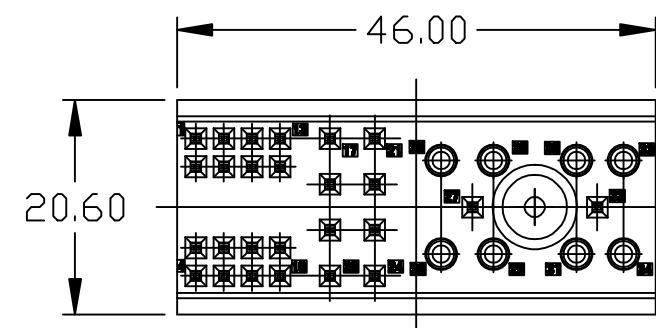
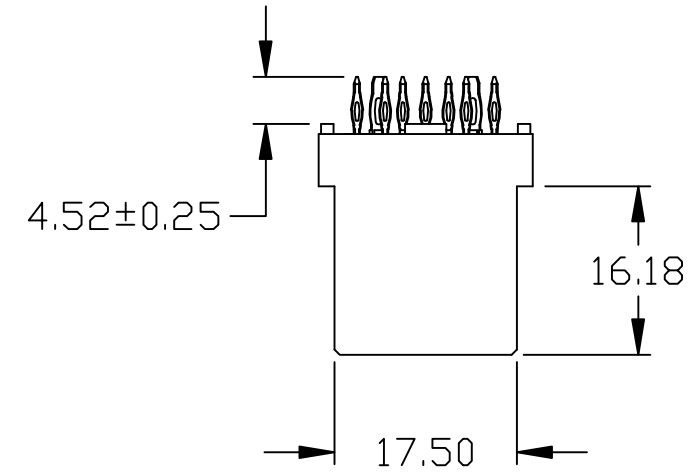
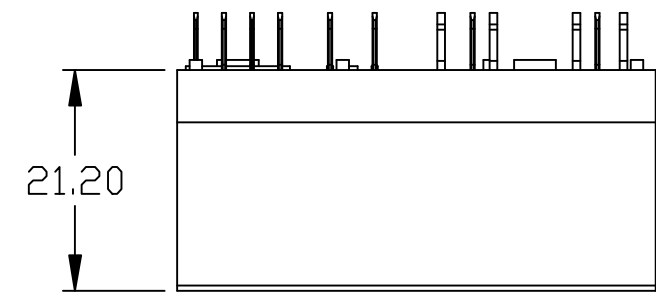
7. PART No:

PART DESCRIPTION	CONTACT POSITIONS
2P02-0100-XX	34
2P02-0200-XX	30, EXCEPT POSITIONS 1-4
2P02-0300-XX	22, EXCEPT POSITIONS 1-4, 17-24

-XX IS PLATING TYPE

8. FOR MATING PRODUCT USE:
 2P01-0X00-XX ATCA POWER RIGHT ANGLE MALE CONNECTOR

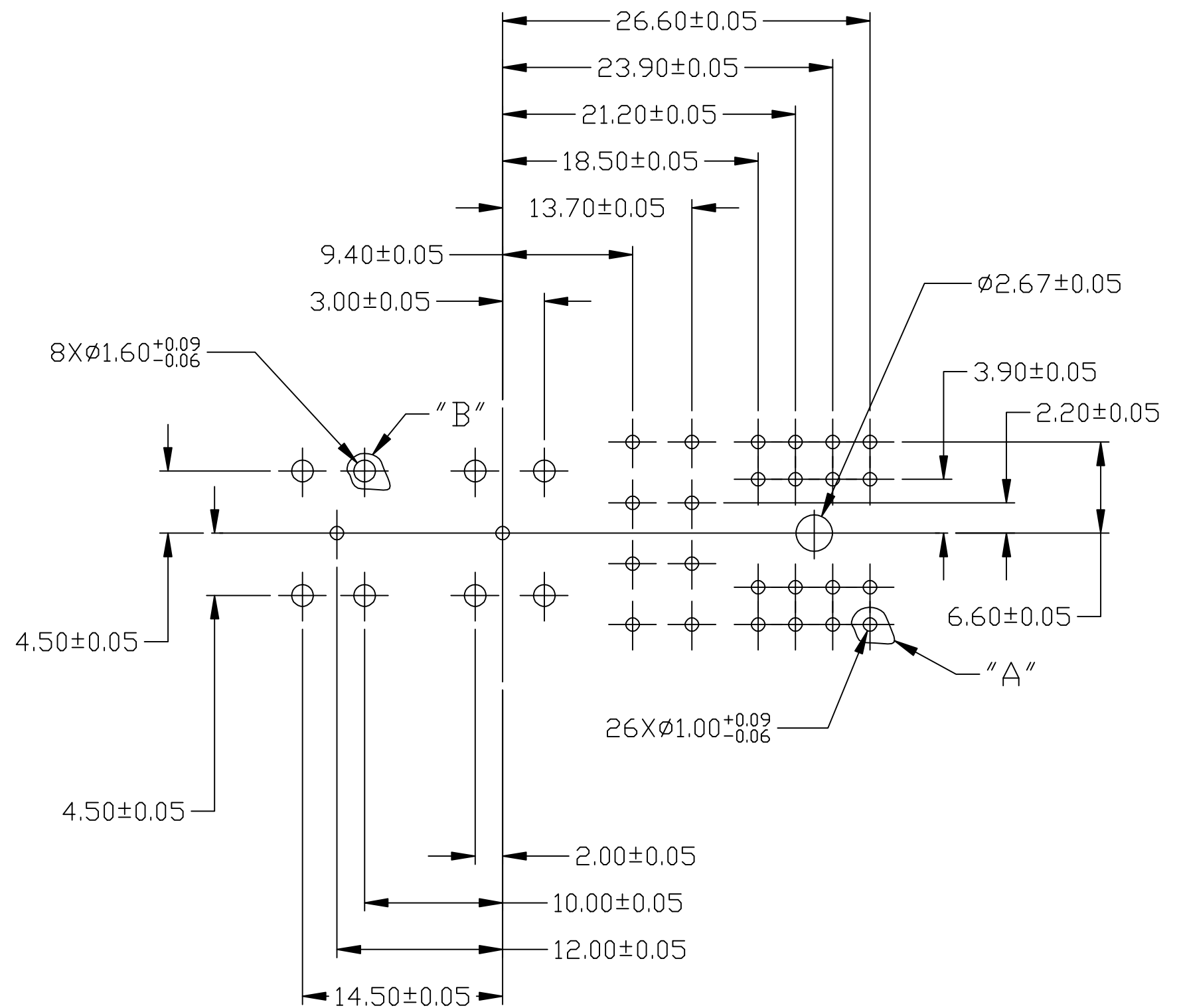
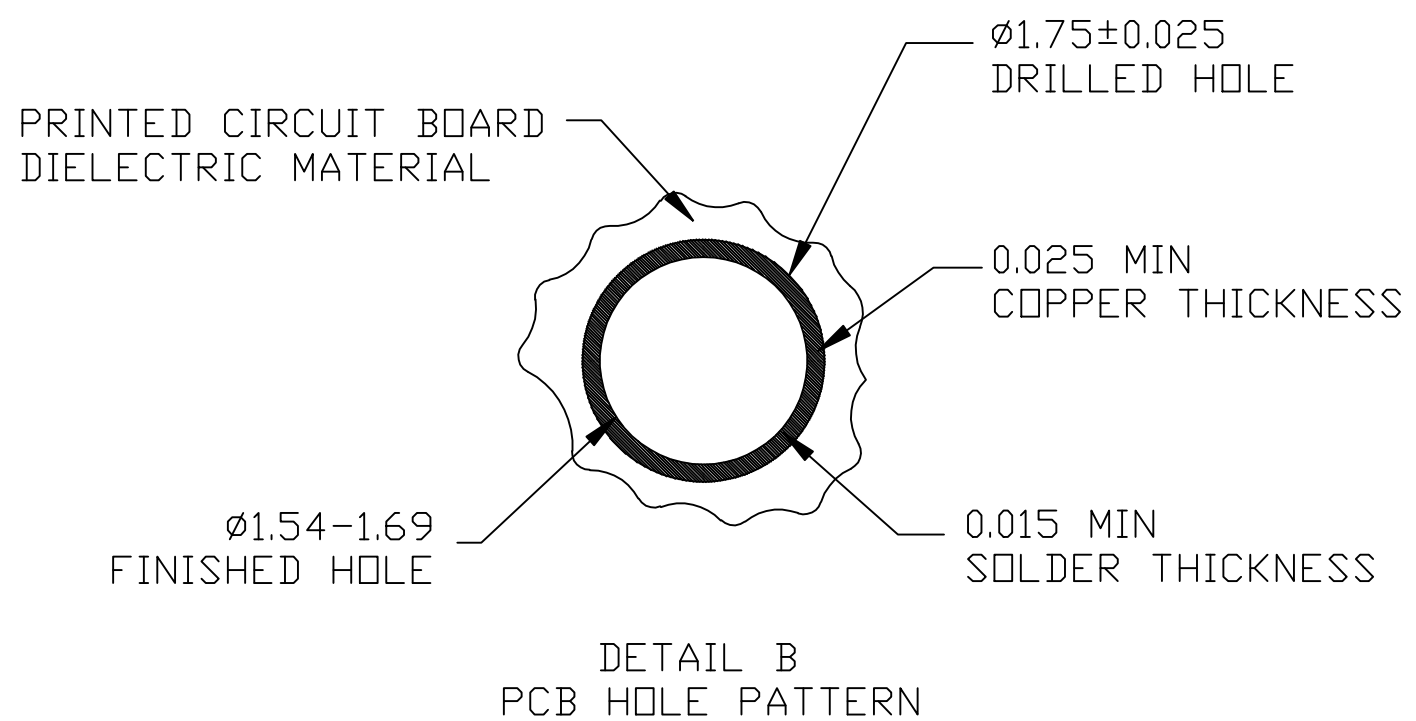
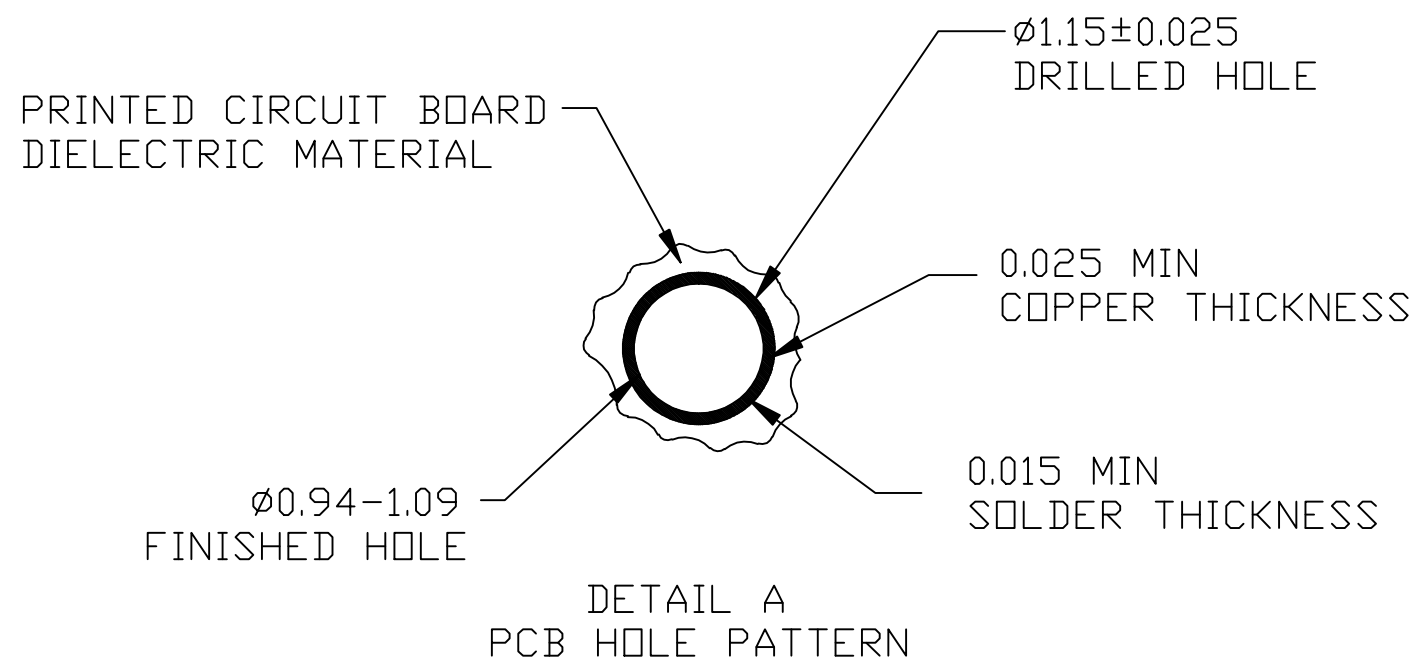
9. PCB THICKNESS: MINIMUM:2.00MM
 MAXIMUM:5.00MM



DESIGN REFERENCE	NEXT ASSEMBLY	REV	ECO	ISSUE DATE AND DESCRIPTION	DRFT	CHKD
		DRFT	Peter	DATE 12/8'06	MFG	DATE
		CHKD	Seawen	DATE 12/8'06	APPL	DATE
DISTRIBUTION CODES		DIVISION CODE		© 3M COPYRIGHT This document is the copyrighted property of the 3M Company and may not be reproduced without 3M written permission or used for other than 3M authorized purposes.		
DO NOT SCALE DRAWING	SCALE	TOLERANCES EXCEPT AS NOTED		TITLE 2P02-0X00-XX ATCA POWER BACKPLANE CONNECTOR		
THIRD ANGLE PROJECTION	INTERPRET PER ASME Y14.5 - 1994	INCHES .0 ± * .00 ± * .000 ± * .0000 ± *		CAGE NUMBER SIZE DRAWING NO. 78-5100-2378-7 REV. A		
MAX SURFACE ROUGHNESS	<input type="checkbox"/> ALL SURFACES <input checked="" type="checkbox"/> MARKED ONLY	MILLIMETERS 0 ± * .0 ± 0.30 .00 ± 0.20 .000 ± 0.10		MODEL DET. LISTS <input type="checkbox"/> YES <input type="checkbox"/> NO SHT 1 OF 2		
		ANGLES ± 1'				

REVISION
DRAWING NUMBER

3M™ POWER BACKPLANE FEMALE CONNECTOR FOR ATCA APPLICATIONS



RECOMMENDED PC BOARD REQUIREMENTS
(COMPONENT SIDE OF BOARD SHOWN)

DESIGN REFERENCE	NEXT ASSEMBLY	REV	ECO	ISSUE DATE AND DESCRIPTION	DRFT	CHKD
DISTRIBUTION CODES		DRFT	Peter	DATE 12/8'06	MFG	DATE
		CHKD	Seawen	DATE 12/8'06	APPL	DATE
DIVISION	DIVISION CODE	3M 3M Center St. Paul, MN 55144		© 3M COPYRIGHT This document is the copyrighted property of the 3M Company and may not be reproduced without 3M written permission or used for other than 3M authorized purposes.		
DO NOT SCALE DRAWING	SCALE	TOLERANCES EXCEPT AS NOTED	TITLE 2P02-0X00-XX ATCA POWER BACKPLANE CONNECTOR			
THIRD ANGLE PROJECTION	INTERPRET PER ASME Y14.5 - 1994	INCHES .0 ± * .00 ± * .000 ± * .0000 ± *	DRAWING NO. 78-5100-2378-7			
MAX SURFACE ROUGHNESS <input type="checkbox"/> ALL SURFACES <input checked="" type="checkbox"/> MARKED ONLY	ANGLES ± 1'	MILLIMETERS 0 ± * .0 ± 0.30 .00 ± 0.20 .000 ± 0.10	CAGE NUMBER C	REV. A	SHT 2 OF 2	