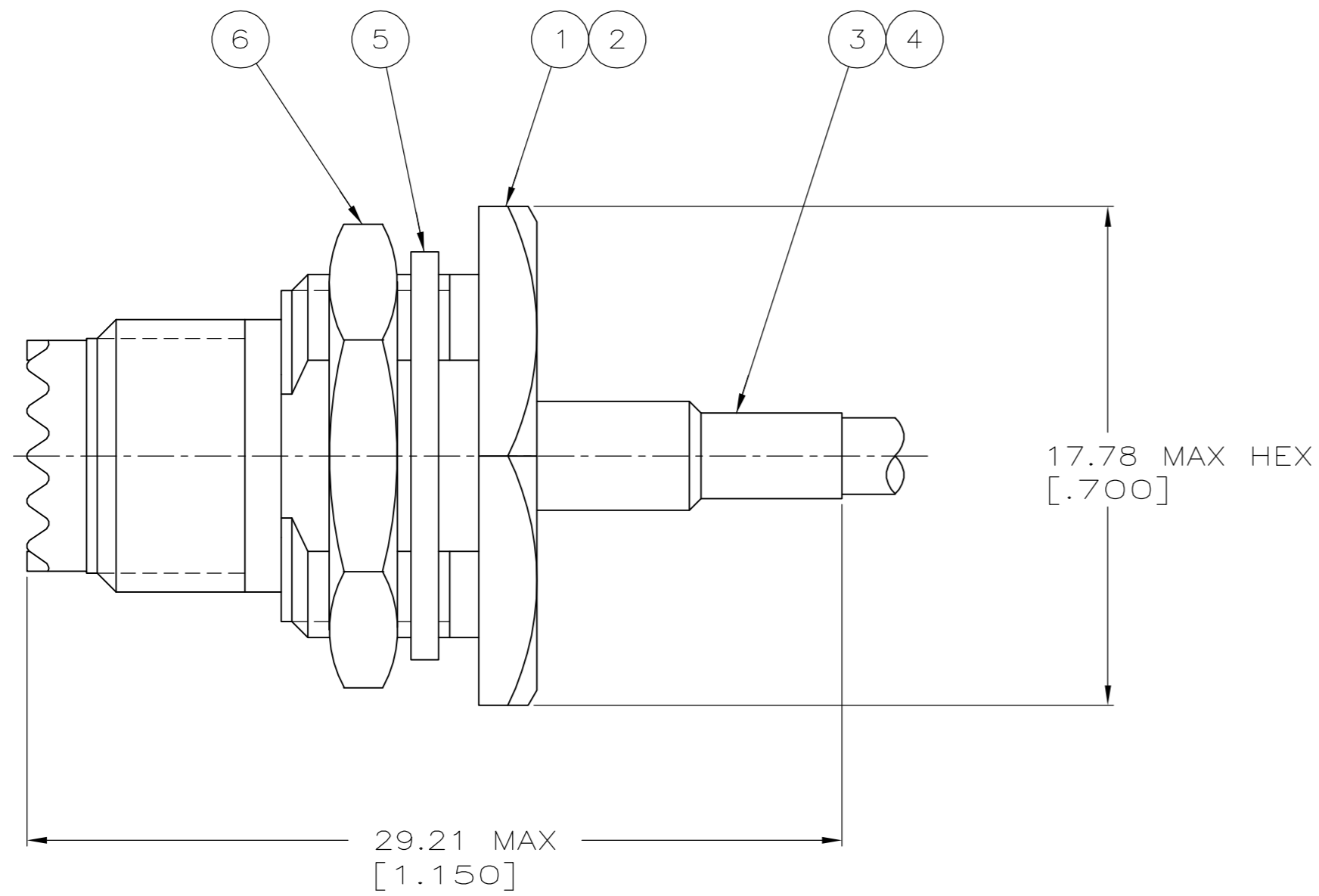
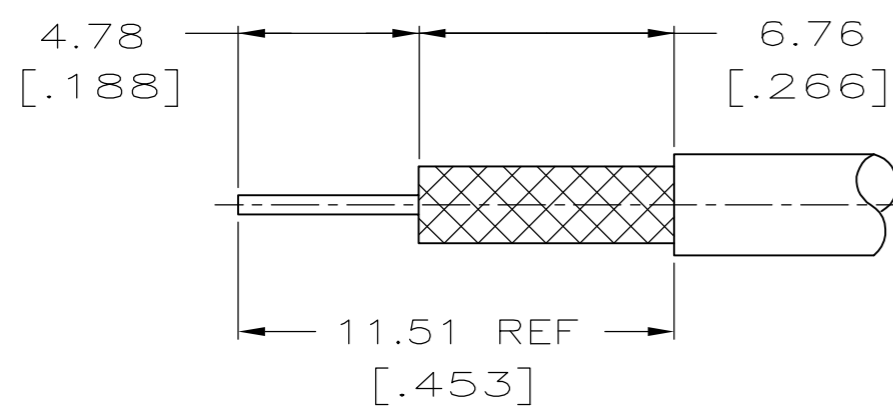


THIS DRAWING IS UNPUBLISHED. RELEASED FOR PUBLICATION
 © COPYRIGHT BY TYCO ELECTRONICS CORPORATION. ALL RIGHTS RESERVED.

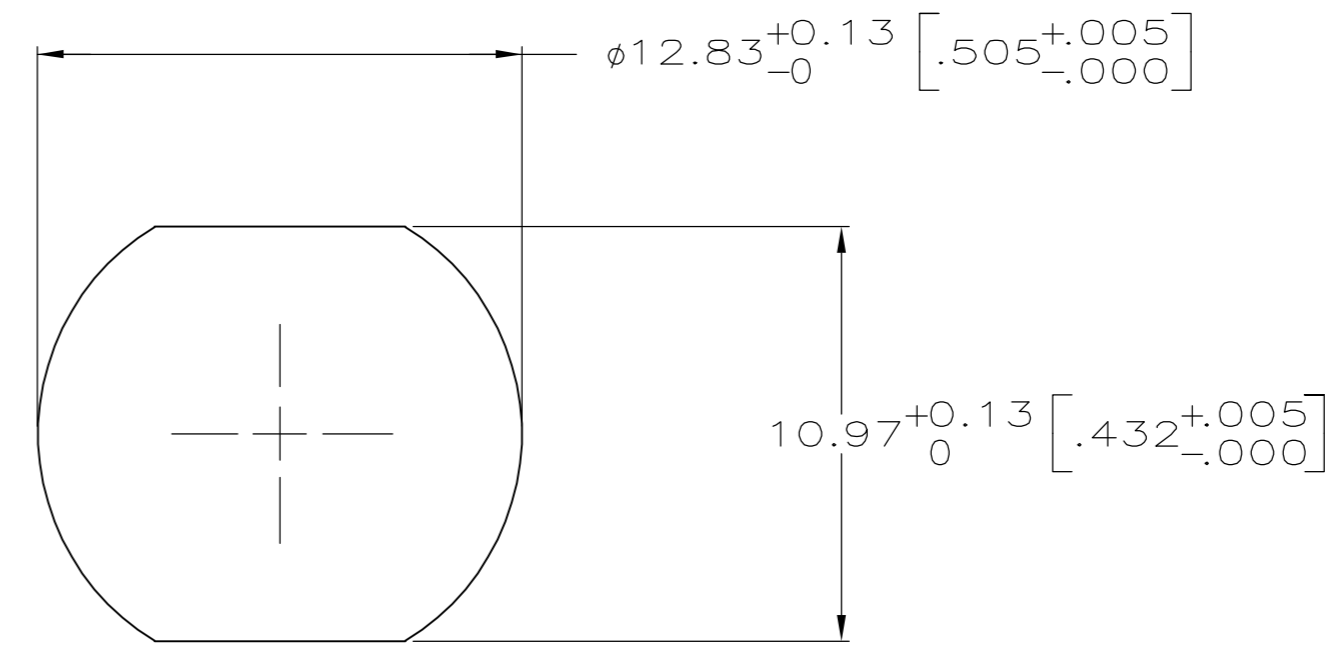
Loc	DIST	REVISIONS			
P	LTR	DESCRIPTION	DATE	DWN	APVD
AJ	16	D	PER EC OS14-0236-04	07JAN05	BM JL



- 1. FOR USE WITH RG-188/U CABLE
- 2. USE CRIMPING TOOL 59983-1
- 3. SEE I.S. 2578



RECOMMENDED STRIP LENGTH



RECOMMENDED PANEL CUT OUT

SUPSD BY 228665-2	-	-	21427-1	9-328666-0	-	228666-1	228665-4
SUPSD BY 228665-2	-	-	21427-1	9-328666-0	9-228668-0	228666-1	228665-3
	1-329631-2	1-329632-2	21427-1	9-328666-0	9-228668-0	228666-1	228665-2
⑥ JAM NUT QTY=1	⑤ LOCKWASHER QTY=1	④ BUSHING QTY=1	③ FERRULE QTY=1	② CONTACT QTY=1	① JACK ASS'Y QTY=1	PART NUMBER	

THIS DRAWING IS A CONTROLLED DOCUMENT.

DWN	J.L.GROFT	8-12-96
CHK	S.W.BURKHOLDER	8-12-96
APVD	S.W.BURKHOLDER	8-12-96
PRODUCT SPEC	-	
APPLICATION SPEC	-	
WEIGHT	-	-
CUSTOMER DRAWING	-	

tyco Electronics
 Tyco Electronics Corporation
 Harrisburg, PA 17105-3608

NAME: JACK, BULKHEAD, MINIATURE UHF

SIZE	CAGE CODE	DRAWING NO	RESTRICTED TO
A2	00779	C=228665	-
SCALE	SHEET	OF	REV
5:1	1	1	D