

THIS DRAWING IS UNPUBLISHED.

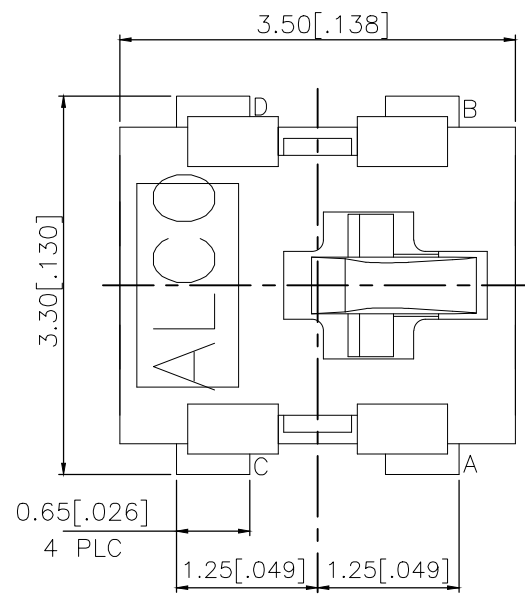
RELEASED FOR PUBLICATION

© COPYRIGHT - TE Connectivity Ltd.

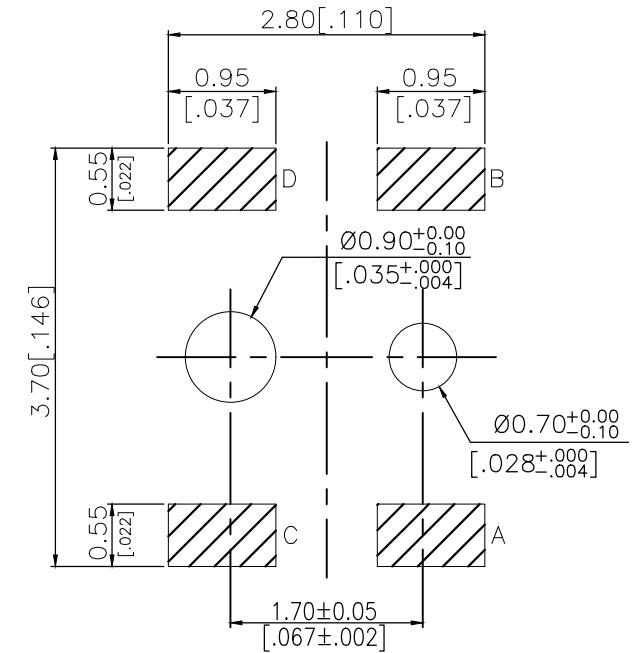
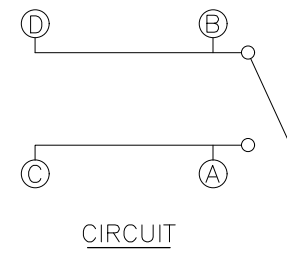
ALL RIGHTS RESERVED.

REVISIONS

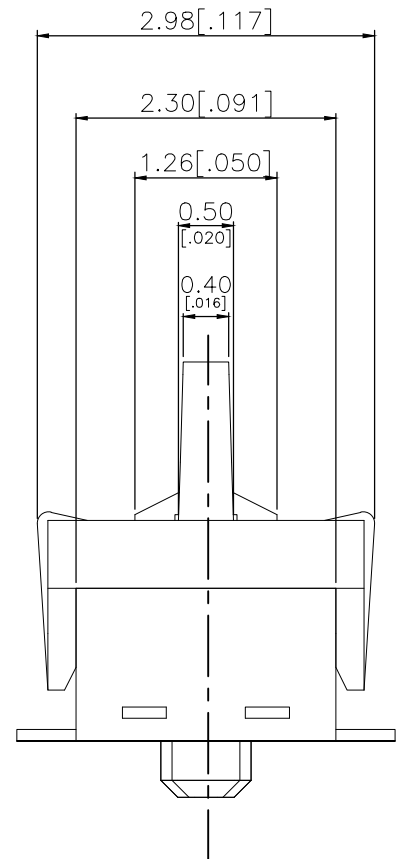
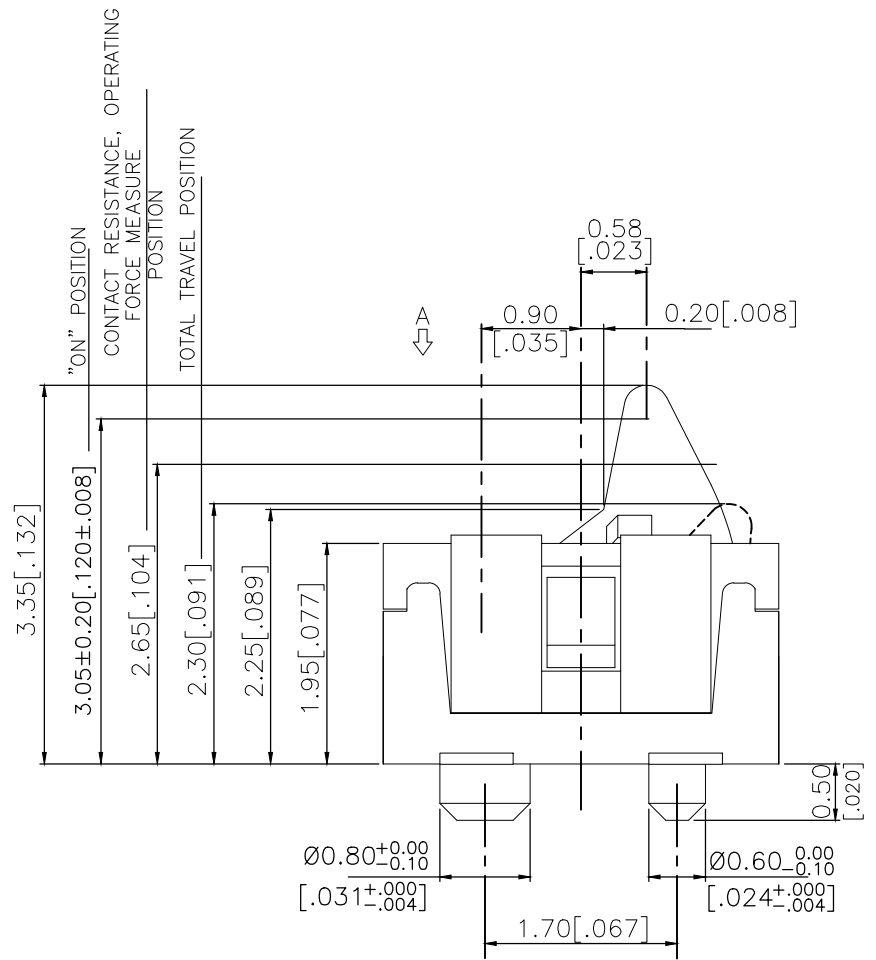
P	LTR	DESCRIPTION	DATE	DWN	APVD
	A	ECR-18-012767	14AUG2018	RSM	AS



2331378-1
AS SHOWN



P.C.B. LAYOUT
(VIEW FROM THE DIRECTION A)



THIS DRAWING IS A CONTROLLED DOCUMENT.		DWN GANESH C M 07MAR2018	TE Connectivity Ltd.		
DIMENSIONS: mm [INCHES]		CHK ALEXANDER SHARPE 07MAR2018			
TOLERANCES UNLESS OTHERWISE SPECIFIED:		APVD ALEXANDER SHARPE 07MAR2018	NAME SWITCH, DETECTOR, JJB SERIES, 3.5X2.98mm, VERTICAL, SMT, POSTS		
0 PLC ± - 1 PLC ± - 2 PLC ± 0.30 [.012] 3 PLC ± - 4 PLC ± - ANGLES ± -		PRODUCT SPEC -	RESTRICTED TO -		
MATERIAL -		FINISH -	APPLICATION SPEC -	SIZE A3	CAGE CODE 00779
		WEIGHT -	DRAWING NO C-2331378	SCALE NTS	SHEET 1 of 3
CUSTOMER DRAWING			REV A		

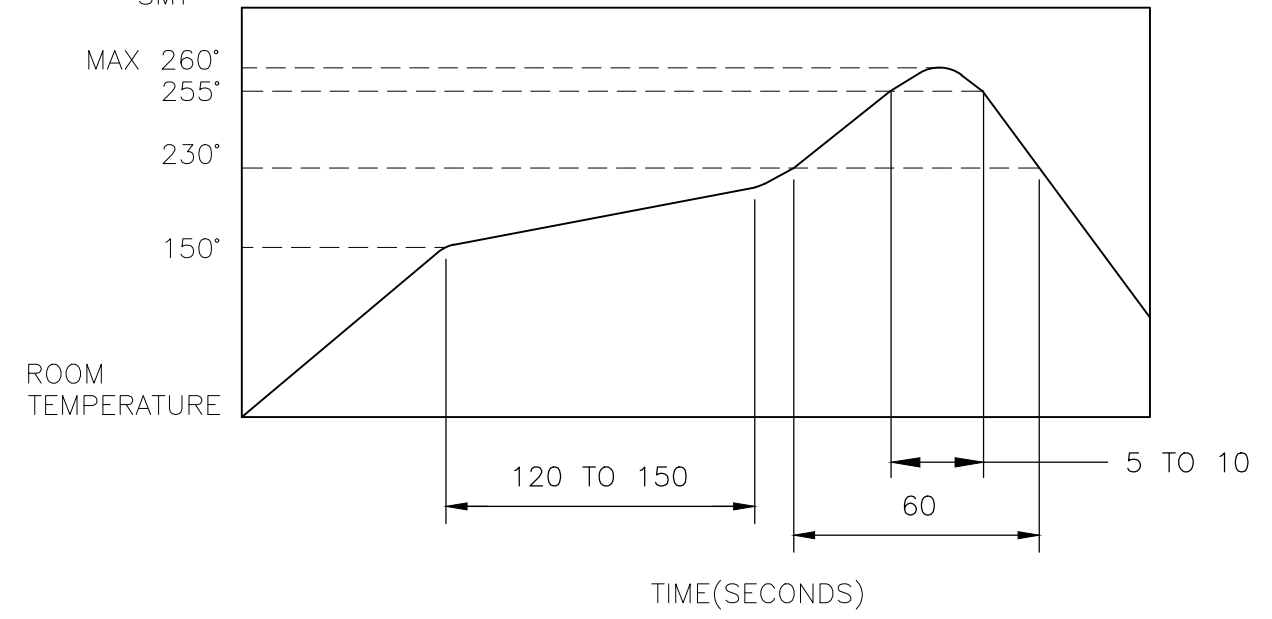
THIS DRAWING IS UNPUBLISHED. RELEASED FOR PUBLICATION
 © COPYRIGHT - TE Connectivity Ltd. ALL RIGHTS RESERVED.

REVISIONS					
P	LTR	DESCRIPTION	DATE	DWN	APVD
-	-	SEE SHEET 1	-	-	-

NOTES:

- MATERIALS**
 ACTUATOR: THERMOPLASTIC, BLACK
 BODY: THERMOPLASTIC, BLACK
 COVER: THERMOPLASTIC, BLACK
 TERMINAL: COPPER ALLOY, SILVER PLATE
 CONTACT: STAINLESS STEEL, SILVER PLATE
- COMPLIANCE:**
 ALL MATERIALS AND FINISHES SHALL COMPLY WITH EU DIRECTIVE 2002/95/EC OF 27JAN2003(RoHS)
- SPECIFICATIONS:**
 RATING: 1mA 20mV DC TO 100mA 5V DC
 CONTACT RESISTANCE: 500mΩ MAXIMUM(INITIAL)
 INSULATION RESISTANCE: 100MΩ MINIMUM AT 250V DC
 DIELECTRIC STRENGTH: 250V AC, 1 MINUTE
 OPERATING LIFE: 80,000 CYCLES WITH LOAD
 TOTAL TRAVEL: 1.05 [.041]
 ACTUATION FORCE: 35gf MAXIMUM
 OPERATING TEMPERATURE: -15°C TO 70° C
 STORAGE TEMPERATURE: -40°C TO 85°C

4. SOLDER CONDITIONS :
SMT



THE CONDITION MENTIONED ABOVE IS THE TEMPERATURE ON THE CU FOIL OF THE PCB SURFACE. THERE ARE CASES WHERE THE BOARD'S TEMPERATURE GREATLY DIFFERS FROM THE SWITCH'S SURFACE. DO NOT ALLOW SWITCH'S SURFACE TEMPERATURE TO EXCEED 260 °C

MANUAL SOLDERING

SOLDERING TEMPERATURE	350°C±5°C.
CONTINUOUS SOLDERING TIME	3±0.5 SECONDS.

PRECAUTIONS IN HANDLING

- CARE SHOULD BE EXERCISED SO THAT FLUX FROM THE UPPER PART OF THE PRINTED CIRCUIT BOARD DOES NOT ADHERE TO THE SWITCH.

JJBVOUG335NOPPRTR	2331378-1
SMART PART NUMBER	PART NUMBER

THIS DRAWING IS A CONTROLLED DOCUMENT.		DWN 07MAR2018 GANESH C M	TE Connectivity Ltd. SWITCH, DETECTOR, JJB SERIES, 3.5X2.98mm, VERTICAL, SMT, POSTS														
DIMENSIONS: mm [INCHES]		CHK 07MAR2018 ALEXANDER SHARPE															
TOLERANCES UNLESS OTHERWISE SPECIFIED:		APVD 07MAR2018 ALEXANDER SHARPE	NAME														
<table border="0"> <tr><td>0 PLC</td><td>± -</td></tr> <tr><td>1 PLC</td><td>± -</td></tr> <tr><td>2 PLC</td><td>± 0.30 [.012]</td></tr> <tr><td>3 PLC</td><td>± -</td></tr> <tr><td>4 PLC</td><td>± -</td></tr> <tr><td>ANGLES</td><td>± - ± -</td></tr> </table>		0 PLC	± -	1 PLC	± -	2 PLC	± 0.30 [.012]	3 PLC	± -	4 PLC	± -	ANGLES	± - ± -	PRODUCT SPEC	SIZE		
0 PLC	± -																
1 PLC	± -																
2 PLC	± 0.30 [.012]																
3 PLC	± -																
4 PLC	± -																
ANGLES	± - ± -																
MATERIAL		APPLICATION SPEC	CAGE CODE	DRAWING NO	RESTRICTED TO												
FINISH		WEIGHT	A3	00779	C-2331378												
CUSTOMER DRAWING			SCALE	SHEET	REV												
			NTS	2 of 3	A												

THIS DRAWING IS UNPUBLISHED.

RELEASED FOR PUBLICATION

REVISIONS

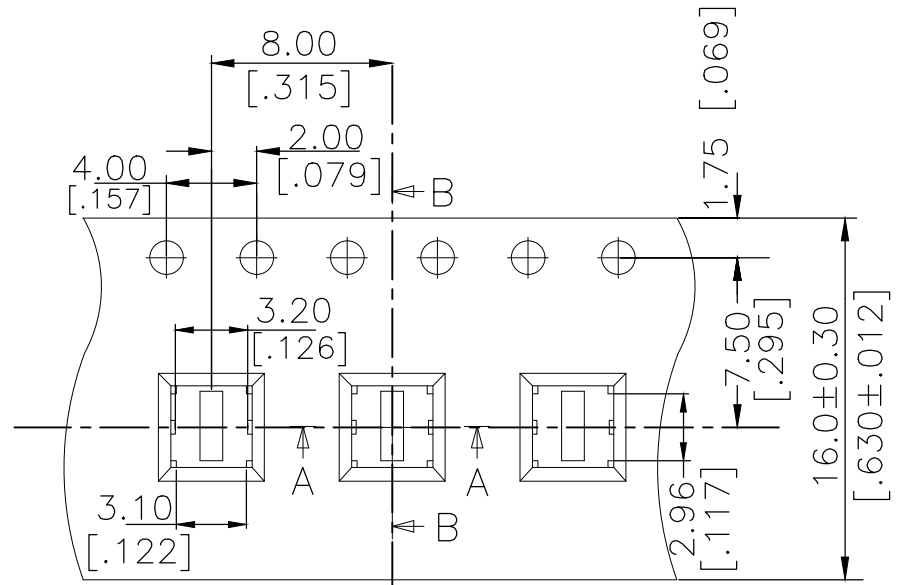
© COPYRIGHT - TE Connectivity Ltd.

ALL RIGHTS RESERVED.

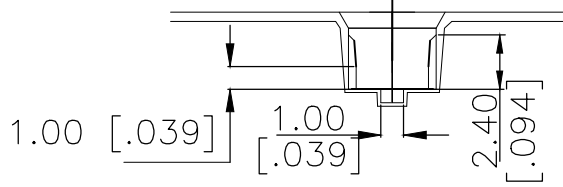
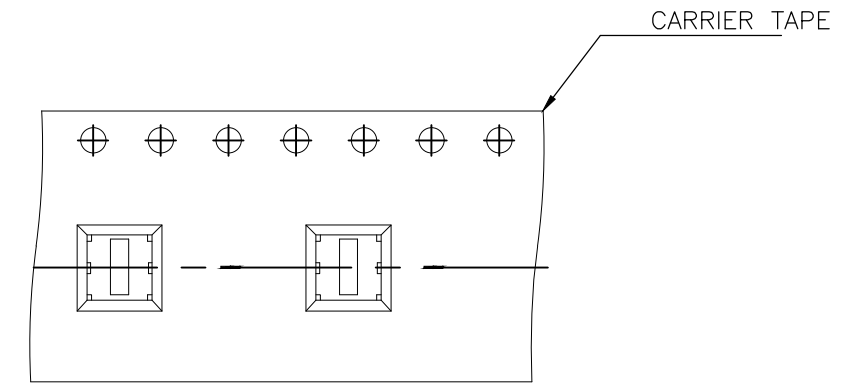
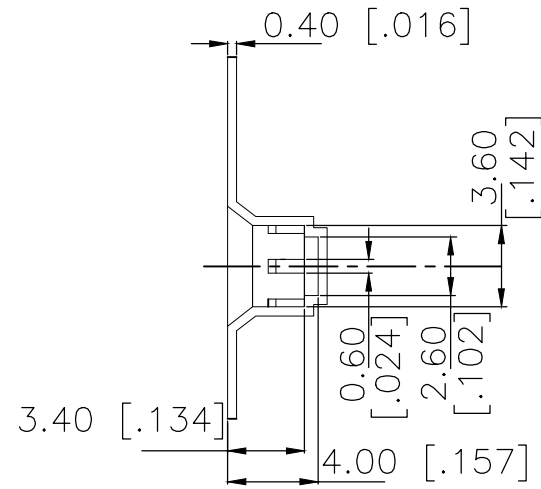
P	LTR	DESCRIPTION	DATE	DWN	APVD
-	-	SEE SHEET 1	-	-	-

PACKAGING:
2000 SWITCHES PER REEL

THE DIMENSION OF CARRIER TAPE, COVER TAPE AND REEL

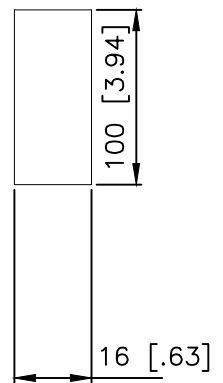
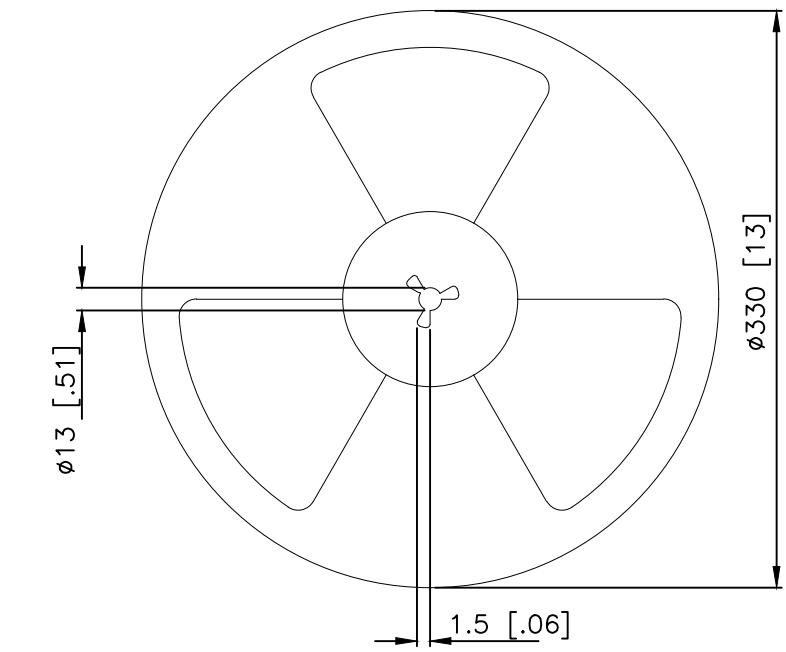
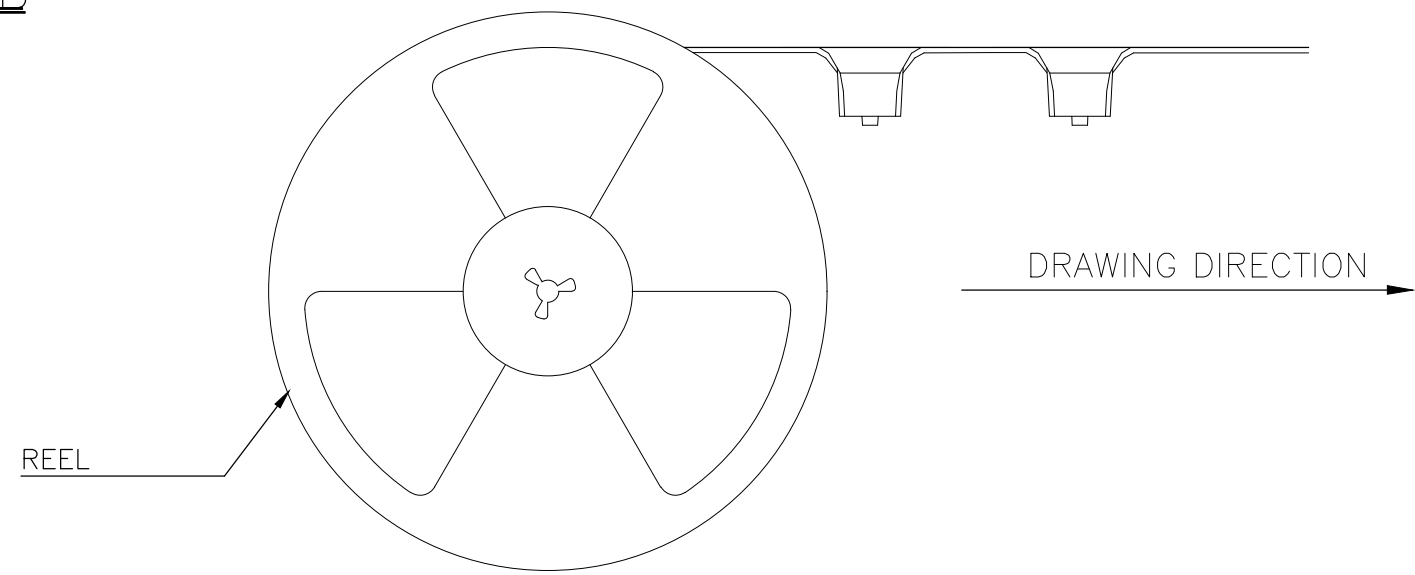


THE DIRECTION OF PILOT HOLES



Section A-A

Section B-B



THIS DRAWING IS A CONTROLLED DOCUMENT.		DWN GANESH C M 07MAR2018	TE Connectivity Ltd.														
DIMENSIONS: mm [INCHES]		CHK ALEXANDER SHARPE 07MAR2018															
TOLERANCES UNLESS OTHERWISE SPECIFIED:		APVD ALEXANDER SHARPE 07MAR2018	NAME SWITCH, DETECTOR, JJB SERIES, 3.5X2.98mm, VERTICAL, SMT, POSTS														
<table border="1"> <tr><td>0 PLC</td><td>± -</td></tr> <tr><td>1 PLC</td><td>± -</td></tr> <tr><td>2 PLC</td><td>± 0.30 [.012]</td></tr> <tr><td>3 PLC</td><td>± -</td></tr> <tr><td>4 PLC</td><td>± -</td></tr> <tr><td>ANGLES</td><td>± -</td></tr> </table>		0 PLC	± -	1 PLC	± -	2 PLC	± 0.30 [.012]	3 PLC	± -	4 PLC	± -	ANGLES	± -	PRODUCT SPEC -	APPLICATION SPEC -		
0 PLC	± -																
1 PLC	± -																
2 PLC	± 0.30 [.012]																
3 PLC	± -																
4 PLC	± -																
ANGLES	± -																
MATERIAL -		FINISH -	WEIGHT	SIZE A3	CAGE CODE 00779	DRAWING NO C-2331378	RESTRICTED TO -										
CUSTOMER DRAWING			SCALE NTS	SHEET 3 of 3	REV A												