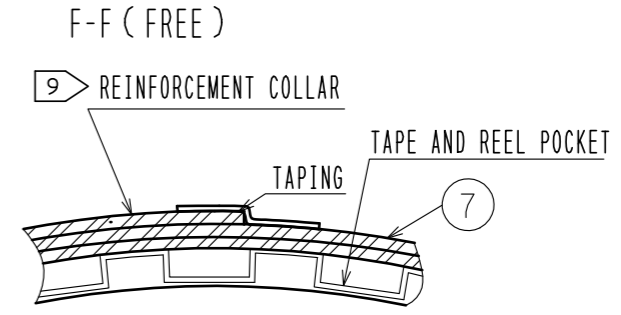
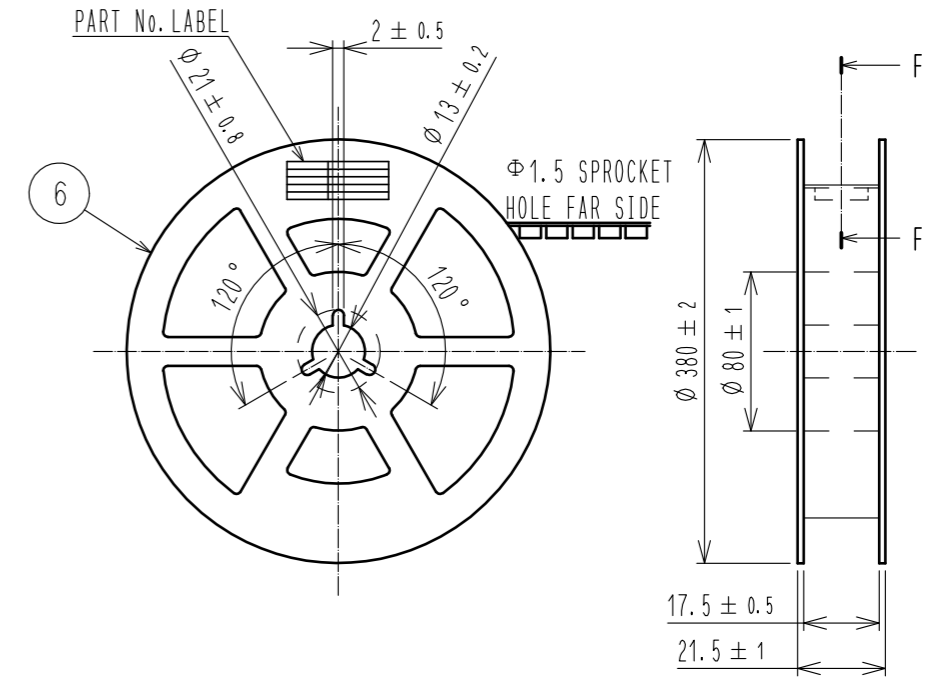
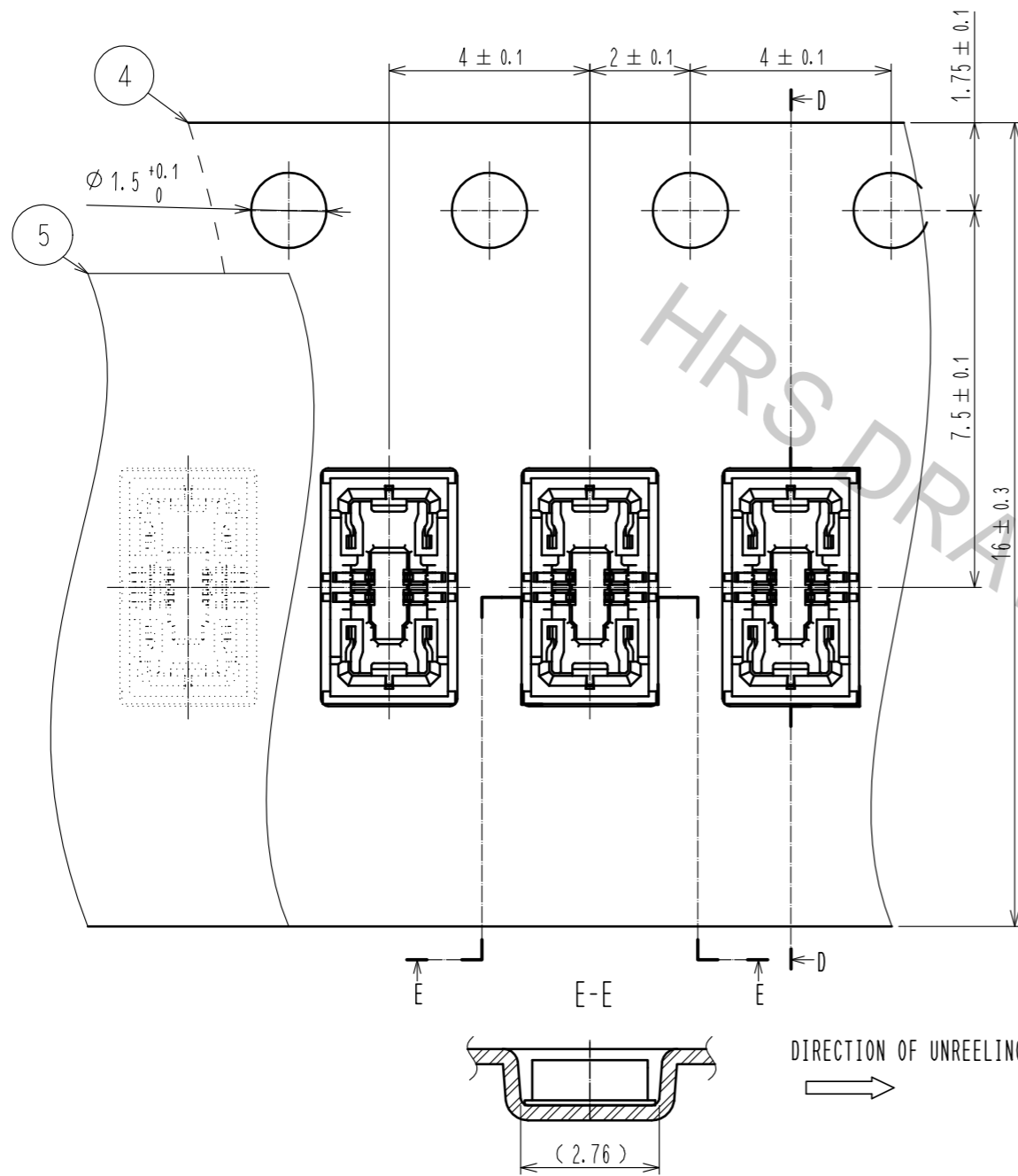


4	PS	CLEAR (EMBOSSED CARRIER TAPE)	7	PS	CLEAR (REINFORCEMENT COLLAR)
3	COPPER ALLOY	2	6	PS	BLACK (PLASTIC REEL)
2	COPPER ALLOY	2	5	POLYESTER	CLEAR (COVER TAPE)
1	LCP	UL94 V-0, BLACK			
NO.	MATERIAL	FINISH . REMARKS	NO.	MATERIAL	FINISH . REMARKS
UNITS	mm	SCALE	10 : 1	COUNT	1
DESCRIPTION OF REVISIONS		DESIGNED	NY. YAMASHIRO	CHECKED	TS. MIYAZAKI
DATE		12.05.21	DATE		
15.10.17					
APPROVED : KH. IKEDA		12.05.21		DRAWING NO.	
CHECKED : WR. FUKUCHI		12.05.21		EDC-345876-51-01	
DESIGNED : YH. HASEGAWA		12.05.21		PART NO.	
DRAWN : YH. HASEGAWA		12.05.21		BM22-6S-V(51)	
				CODE NO.	
				CL677-1004-1-51	
				1/3	

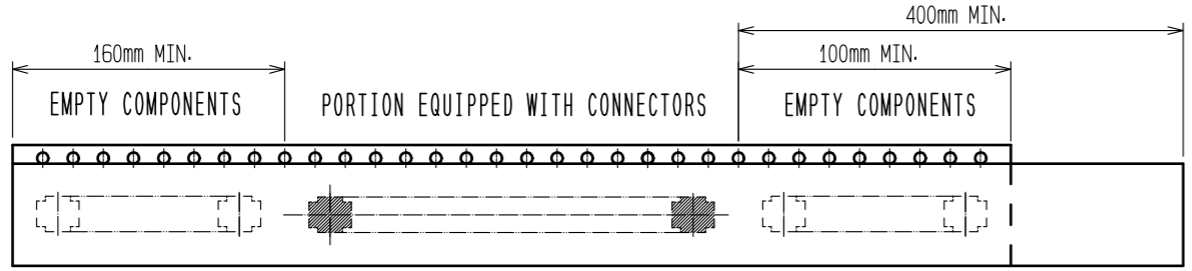
EMBOSSED CARRIER TAPE PACKAGING (FREE)

STYLE AND DIMENTION OF REEL (FREE)



DETAIL OF PART No. LABEL

製造年月日	** ** *	DATE OF MANUFACTURED
製品コード	CL0677-1004-1-51	CODE No.
製品名	BM22-6S-V(51)	PART No.
数量	10,000	QUANTITY
納入者	ヒロセ電機(株)	SUPPLIER



8 TAPING(FREE)

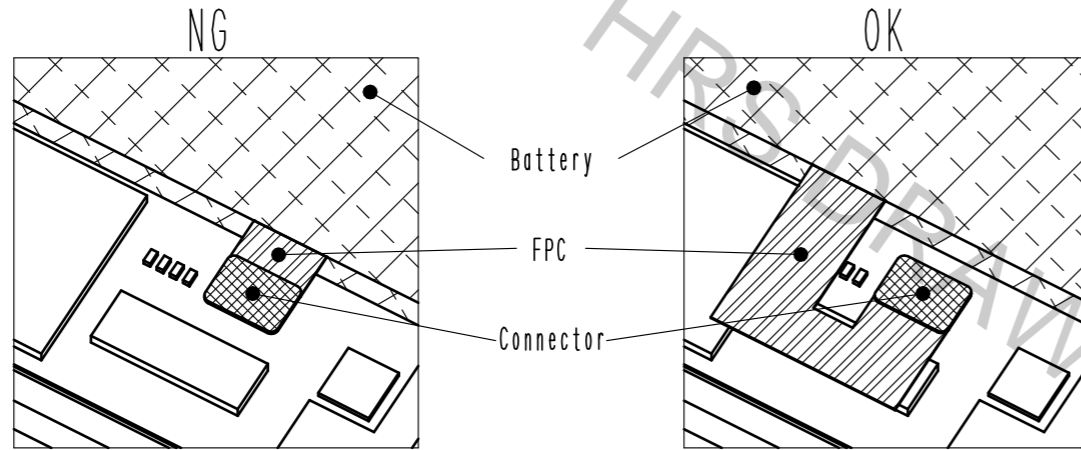
- 6. PER REEL 10,000 CONNECTORS.
- 7. THE DIMENTIONS IN PARENTHESES ARE FOR REFERENCE.
- 8. REFER TO JIS C 0806-3(IEC 60286-3)(PACKAGING OF COMPONENTS FOR AUTOMATIC HANDLING)
- 9. AFTER PACKAGING, ROLL 2 METERS OF THE REINFORCEMENT COLLAR TO OUTER CIRCUMFERENCE OF TAPE AND REEL POCKET. AND TAPE DOWN AT THE END THE COLLAR.

HRS	DRAWING NO.	EDC-345876-51-01
	PART NO.	BM22-6S-V(51)
	CODE NO.	CL677-1004-1-51
		2/3

How to draw the FPC

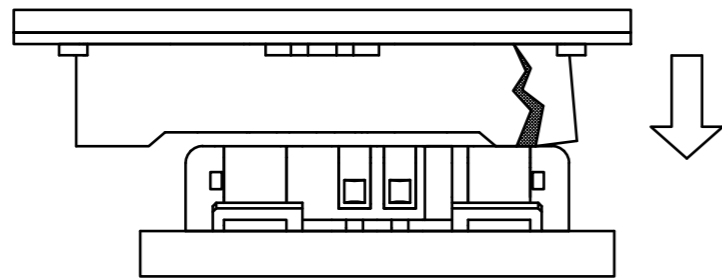
BM22 series connector is intended to carry 3A to 4A electrical current for battery application. FPC may have less flexibility than usual, since the copper foil becomes wider and thicker to carry current of 3A.

Please design the FPC to have a flexibility to absorb the displacement* of the connector caused by fixing PCB and battery.

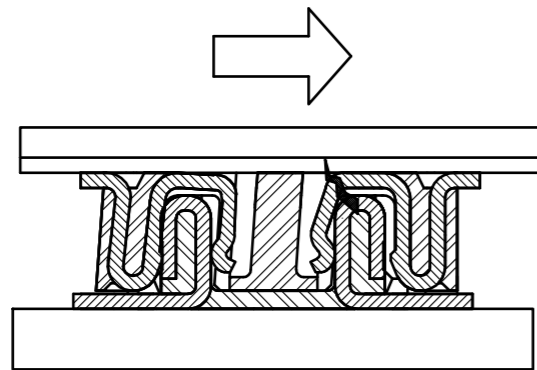


*Possible problems caused by connector mating in incorrect positioning.
Mating the connector in incorrect positioning could lose the function of the connector.

① Insulator could be broken.

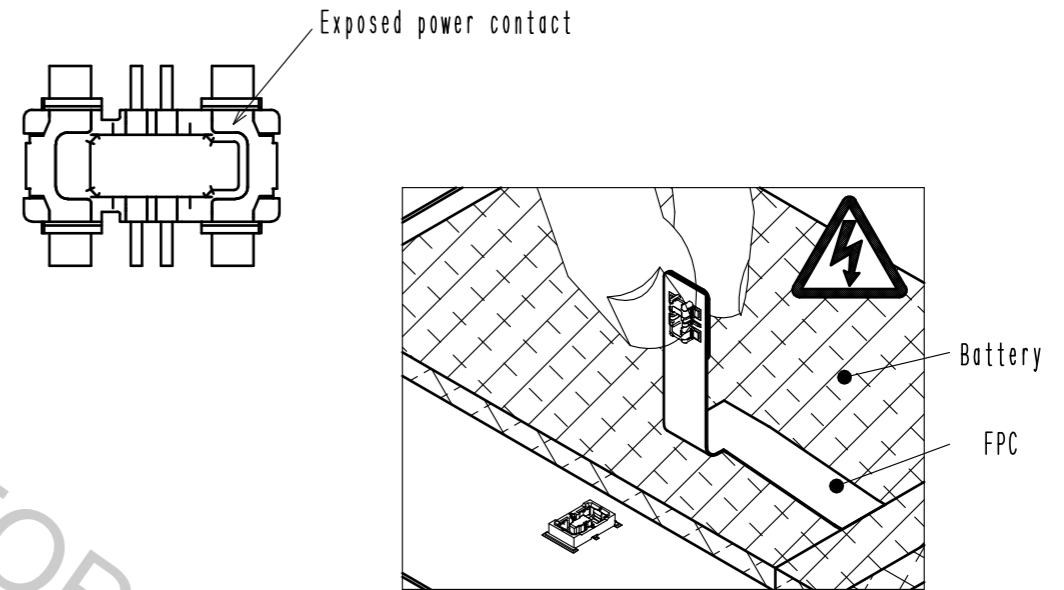


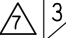
② It could apply excessive mechanical stress to single side of the contact.



Electric shock hazard

Since power contact of header side is exposed, the battery may short out if you touch the contact with finger during mating operation. To avoid this accident, mounting a header on main PWB and mounting a receptacle on battery side is recommended.



HRS	DRAWING NO.	EDC-345876-51-01		3/3
	PART NO.	BM22-6S-V(51)		
	CODE NO.	CL677-1004-1-51		