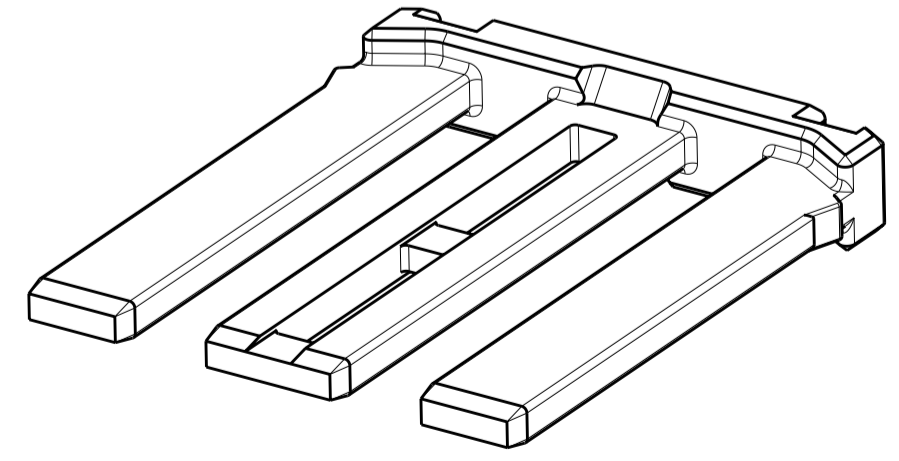
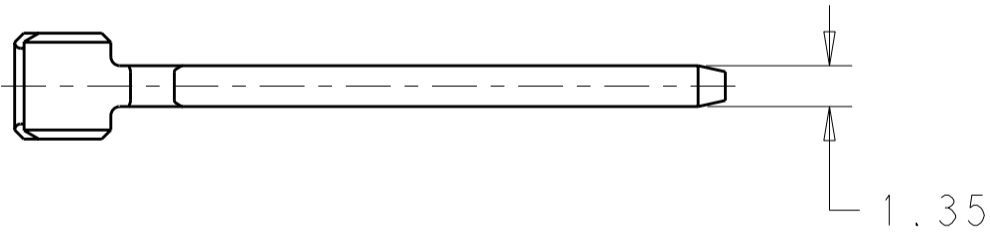
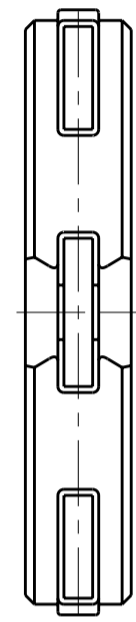
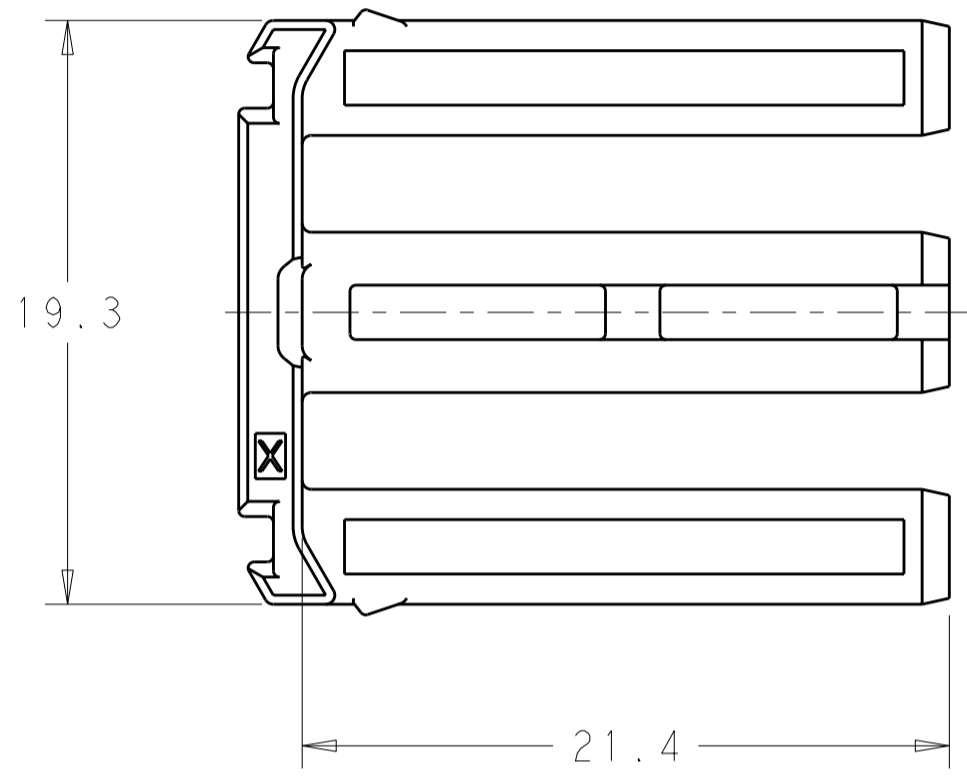
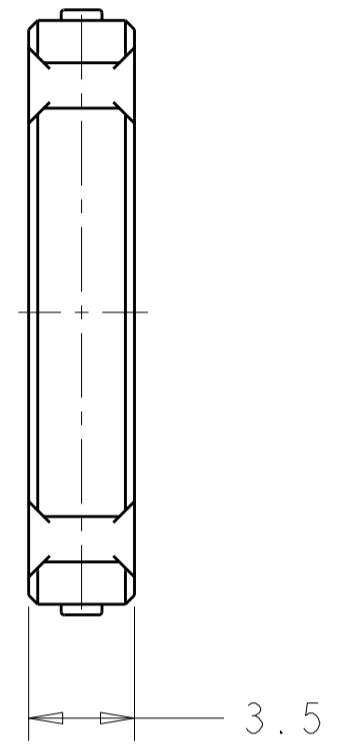


THIS DRAWING IS UNPUBLISHED. RELEASED FOR PUBLICATION 20
 © COPYRIGHT 20 ALL RIGHTS RESERVED.

LOC	DIST	REVISIONS			
P	LTR	DESCRIPTION	DATE	DWN	APVD
	A	RELEASED PER ECO-12-001655	30JAN2012	AJV	AJV
	B	REV PER ECR-12-008046	01MAY2012	MBH	AV



1. MATERIAL: NYLON 6/6, 35% GLASS FILLED, COLOR: GRAY
2. DELIVERY CONDITION: LOOSE PIECE, BULK PACKAGED.

2138418-1
 PART NUMBER

THIS DRAWING IS A CONTROLLED DOCUMENT.		DWN M. HARISH 25FEB2011	TE Connectivity SECONDARY LOCK MCON CONTACTS		
DIMENSIONS: mm		CHK A. J. VASBINDER 25FEB2011			NAME
TOLERANCES UNLESS OTHERWISE SPECIFIED:		APVD A. J. VASBINDER 25FEB2011			PRODUCT SPEC
0 PLC ±0 1 PLC ±0.3 2 PLC ±0.1 3 PLC ±0.05 4 PLC ±0.0 ANGLES ±1° FINISH		APPLICATION SPEC			RESTRICTED TO
MATERIAL	-	WEIGHT	-	SIZE A200779	
-		CUSTOMER DRAWING		CAGE CODE C-2138418	
-		SCALE 4:1		DRAWING NO 2138418	
-		SHEET 1 OF 1		REV B	