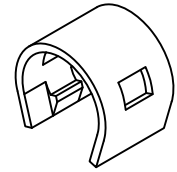
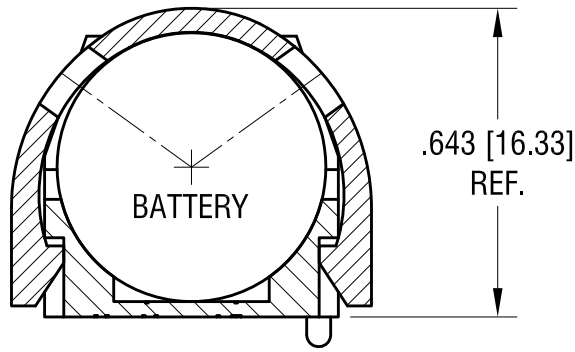


THIS DOCUMENT IS THE PROPERTY OF  
KEYSTONE ELECTRONICS CORP. AND  
SHALL NOT BE REPRODUCED, DISTRIBUTED  
OR USED AS A BASIS FOR MANUFACTURE  
WITHOUT PRIOR WRITTEN PERMISSION  
FROM KEYSTONE ELECTRONICS CORP.

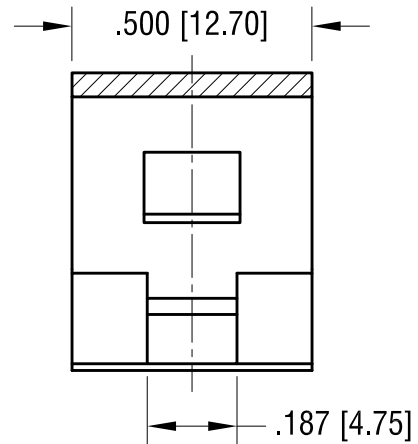
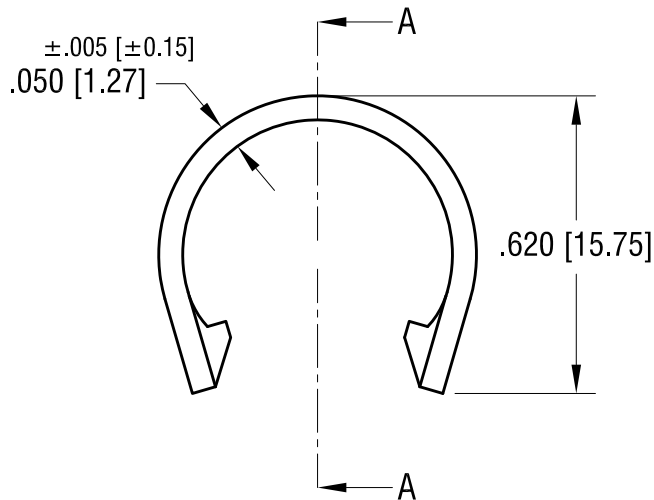
ACTUAL SIZE



COVER  
AS INSTALLED



SECTION A-A



12.21.16	CHANGE AS PER ECR 16-089	C
9.21.16	CHANGE AS PER ECN 16-086	B
3.10.10	CHANGE AS PER ECN 10-021	A
DATE	DESCRIPTION	REV.

<b>KEYSTONE ELECTRONICS CORP.</b>			
www.keyelco.com • ASTORIA, N.Y. 11105-2017 • Tel (718) 956-8900			
PART NAME			
BATTERY HOLDER COVER			
MATERIAL			
POLYCARBONATE, 10% GLASS FILLED, BLACK			
FINISH		DRN BY	DATE
-		NT	12.10.09
		APP'D	SCALE
		LN	2.5X
TOLERANCES	INCH [MM]	CODE	DWG NO.
DECIMAL	±.010 [±0.25]	C	<b>1024C</b>
ANGULAR	± 1°		
UNLESS OTHERWISE SPECIFIED			