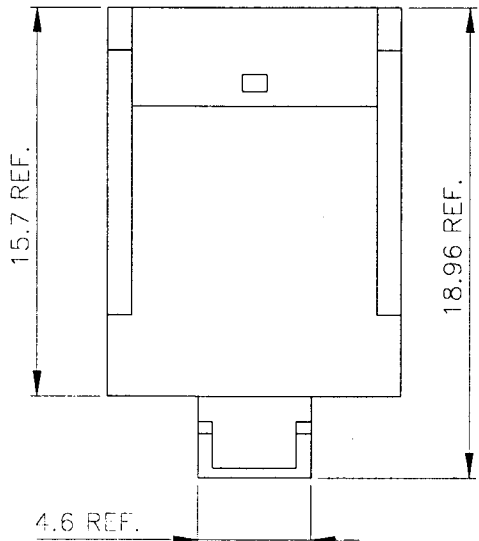
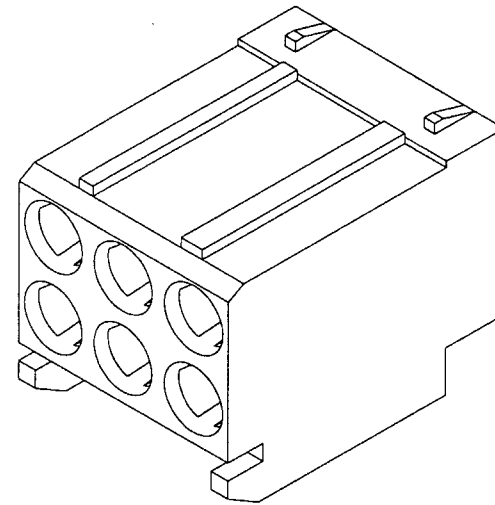
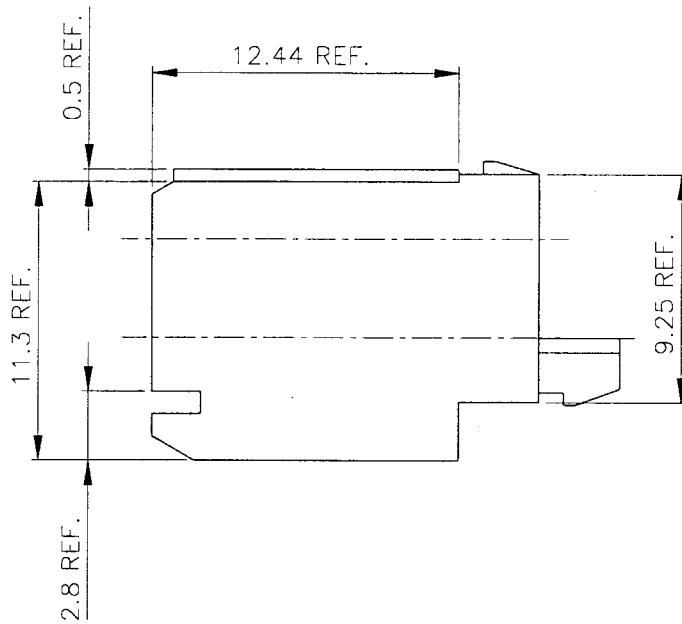
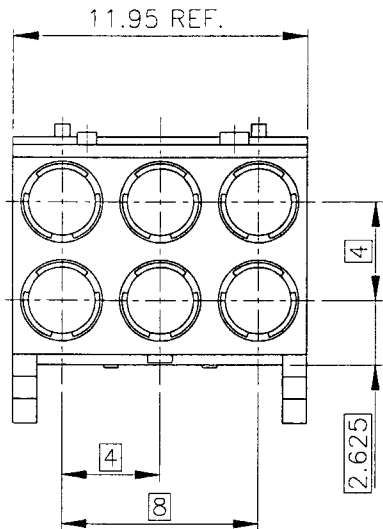


All rights reserved. Reproduction in whole or in part without the prior written permission of FCI is prohibited.
 Alle rechten voorbehouden. Het verspreiden of kopiëren van dit document is strafbaar.
 FCI Electronics

PRODUCT NUMBER 70245-101



NOTES:

- 1 MATERIAL:
THERMOPL. POLYESTER 30% GLASS
FLAME RETARDANT ACC. UL 98-V0
COLOR NATURAL.
- 2 DIMENSIONS ARE FOR REFERENCE ONLY.

mat'l. code SEE NOTE 1		tolerances unless otherwise specified		CUSTOMER COPY	 ELECTRONICS www.fciconnect.com
lfr	ecn no	dr	date	projection	
A	H10290	DAN	910813	linear	title CABLE CONN. MINICOAX/PWR HSG 3x2
B	H10402	HBO	911212		product family METRAL (TM)
C	H80273	AEN	980526	angles	code 213
D	H90489	HME	990816	dr	size dwg no
				engr	scale 5:1
				chr	A3
				appd	70245
sheet	revision	D			sheet
index	sheet	1			1 of 1