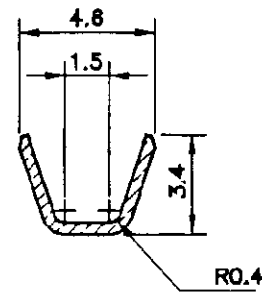
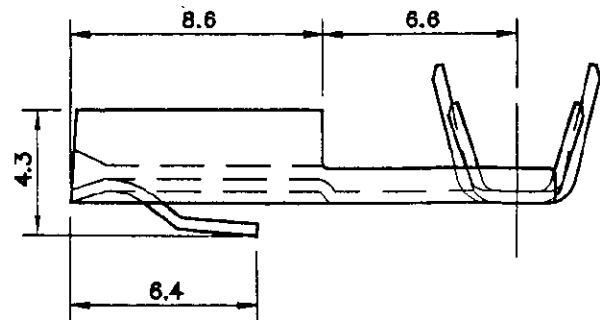
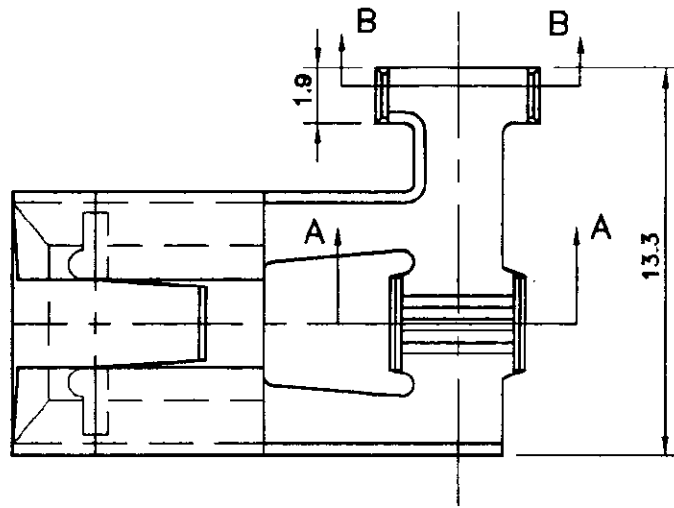
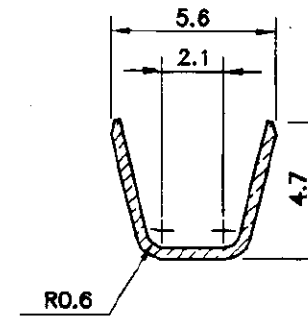


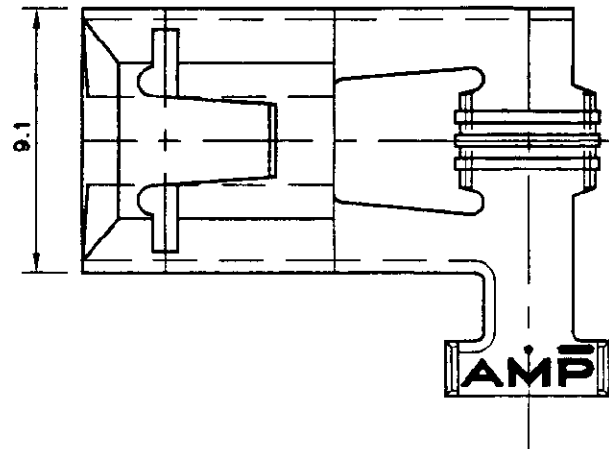
DRAWING MADE IN THIRD ANGLE PROJECTION



SECTION A-A



SECTION B-B



CONTROLLED

THIS INFORMATION IS CONFIDENTIAL AND DISCLOSED TO YOU ON CONDITION THAT NO FURTHER DISCLOSURE IS MADE BY YOU TO OTHER THAN AMP PERSONNEL WITHOUT WRITTEN AUTHORIZATION FROM ALLIANT AMP

WIRE RANGE: 0.5-1.5 sq mm		-		BRASS		190789-0	
INSULATION RANGE: N/A		REMARKS		FINISH		MATERIAL	
		SIZE 0.4±0.013X2.1±0.05					
		DATE 28/03/94		CHK FP			
		DR RB		APP BL		AMP Australia AMP Pty. Limited Rusden Avenue, CASTLE HILL NSW	
		NAME		RECEPTACLE, FLAG, FASTON, 0.312		ECC-CODE	
		SCALE AS 4:1 or SHOWN		SIZE A3		DWG No. C-190789	
		SHEET 1 OF 1		REV A			
P	F	LTR	REVISION RECORD	APP	DATE		
					17/5/95		

CUSTOMER DRAWING

ORIGINAL

8

7

6

5

4

3

2

1