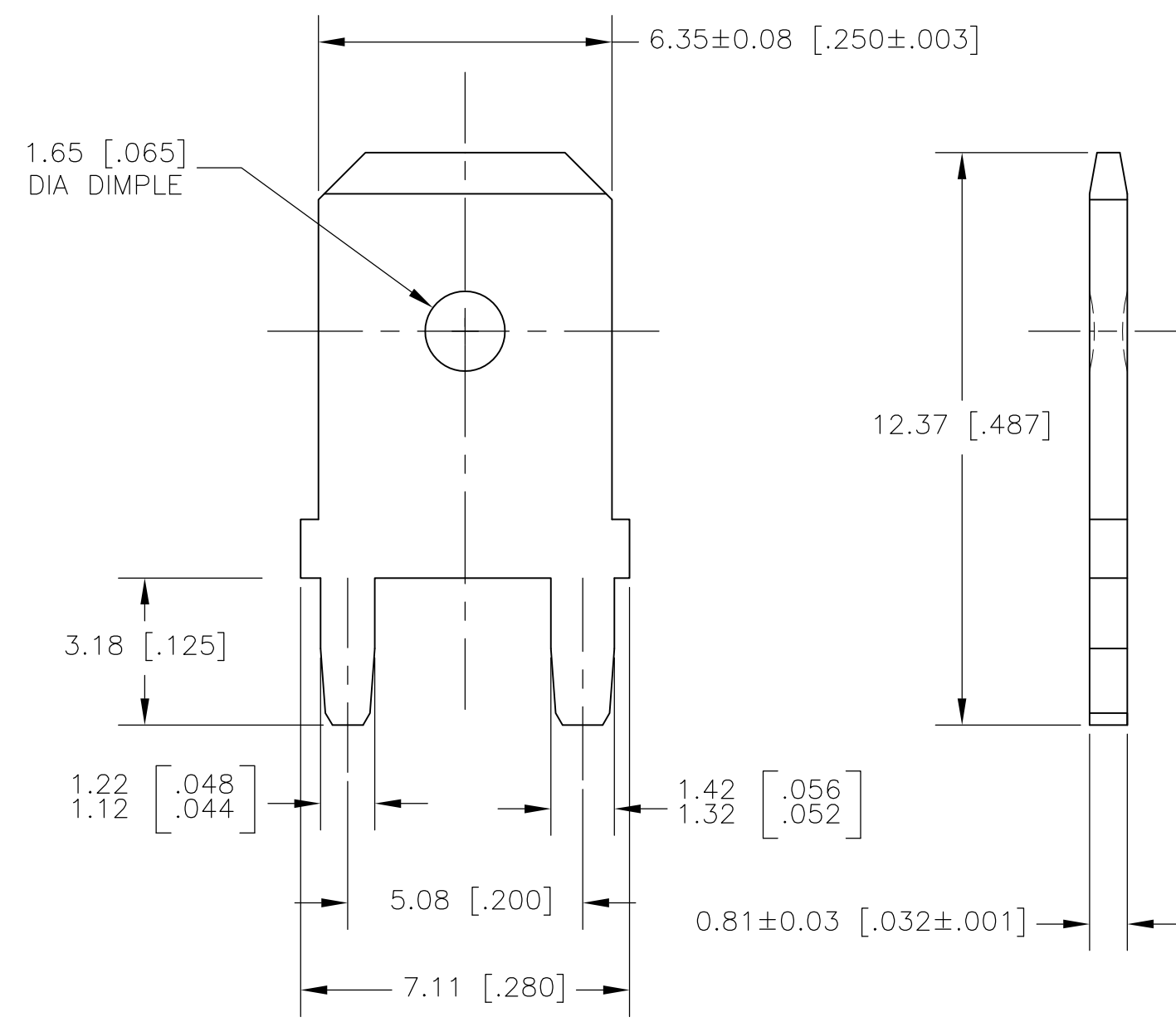
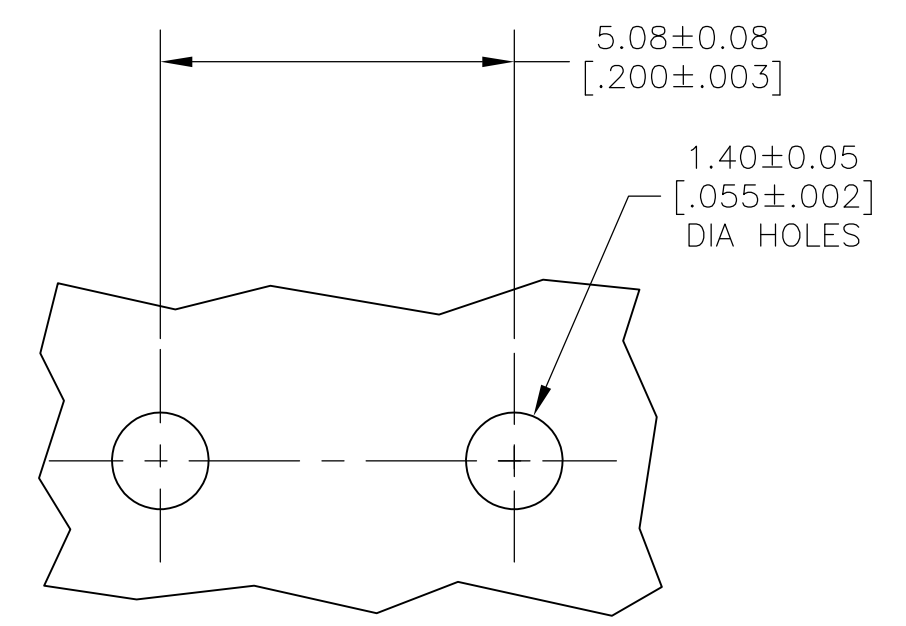


LOC	DIST	REVISIONS					
AF	50	P	LTR	DESCRIPTION	DATE	DWN	APVD
		C		REVISED PER ECR-13-001204	28JUN13	KH	PD



1 SUPPLIED IN LOOSE PIECE
 2 0.00381 [.000150] MIN TIN OVER
 0.00254 [.000100] MIN THK COPPER.



P.C. BOARD HOLES
 SCALE 10:1

1217382-1
 PART NUMBER

THIS DRAWING IS A CONTROLLED DOCUMENT.		DWN	JR RUTH	28MAR01	TE Connectivity
DIMENSIONS: mm [INCHES]		CHK	MS FEHER	28MAR01	
TOLERANCES UNLESS OTHERWISE SPECIFIED:		APVD	N DEIBERT	28MAR01	
0 PLC ± - 1 PLC ± - 2 PLC ± 0.25[.010] 3 PLC ± - 4 PLC ± - ANGLES ± -		PRODUCT SPEC	NAME		
MATERIAL	BRASS	FINISH	TIN OVER COPPER	2	TAB, FASTON, PC BOARD, 6.35 [.250] SERIES
WEIGHT		-		SIZE	A3
CUSTOMER DRAWING		CAGE CODE	00779	DRAWING NO	C-1217382
SCALE		8:1		SHEET	1 OF 1
REV		C		RESTRICTED TO	