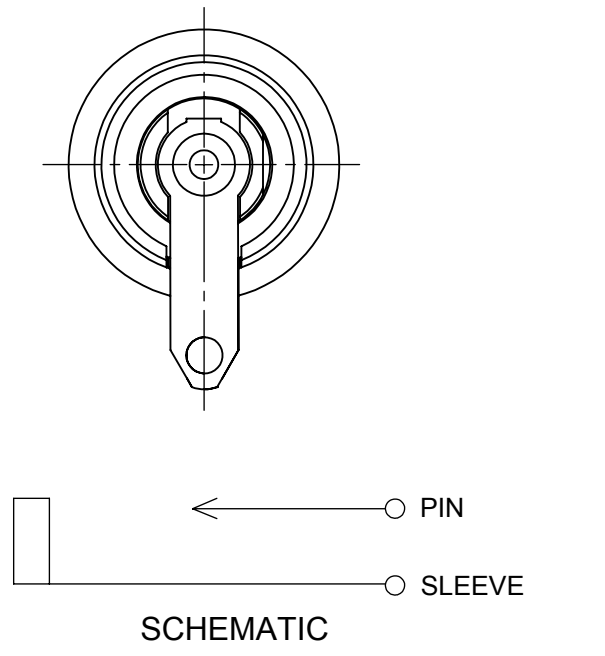
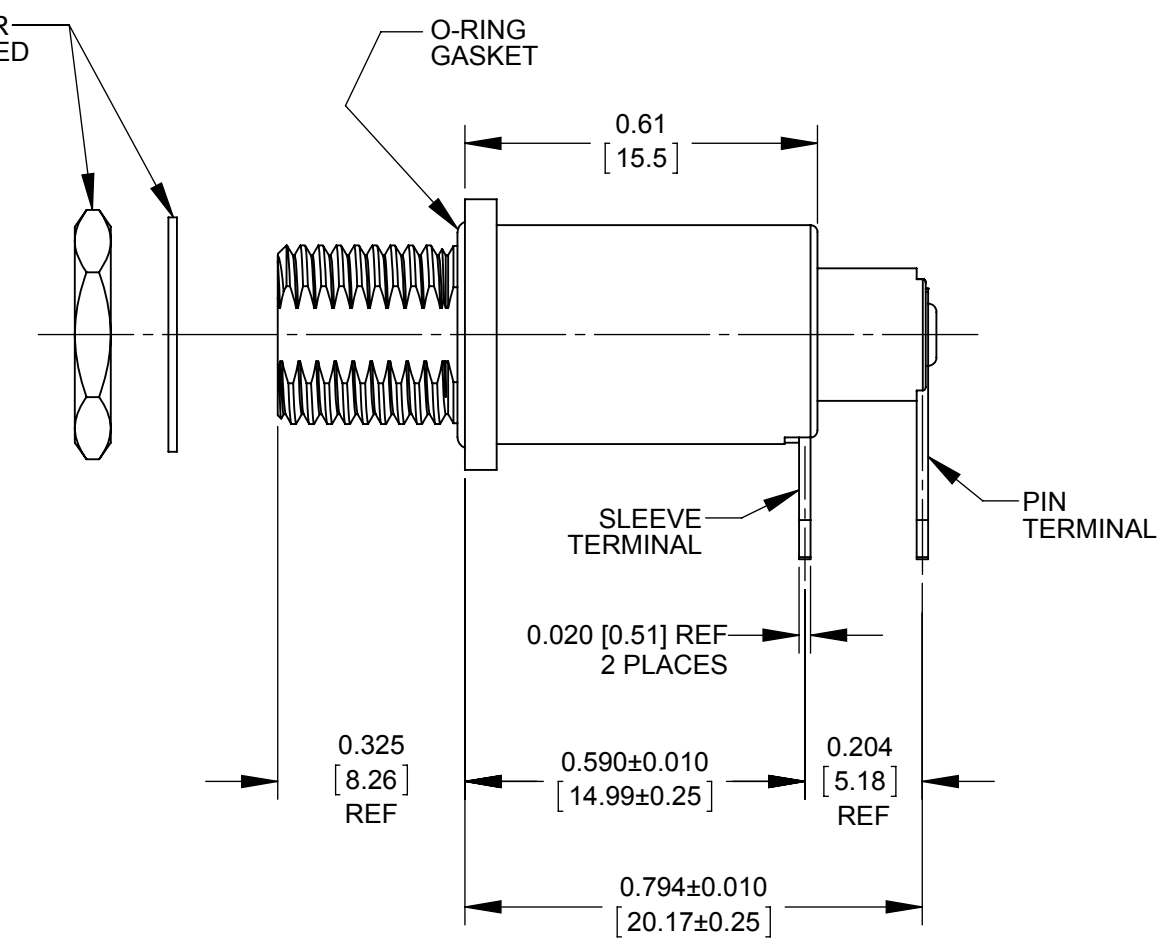


HEX NUT AND WASHER SHIPPED UNASSEMBLED



CUSTOMER DRAWING

NOTES:

1. MATERIALS:

- BUSHING/HOUSING - COPPER ALLOY, NICKEL PLATED
- INSULATOR - THERMOPLASTIC, BLACK
- TERMINALS - COPPER ALLOY, MATTE TIN PLATED
- CENTER CONTACT PIN - COPPER ALLOY, GOLD PLATED
- SLEEVE CONTACT - COPPER ALLOY, GOLD PLATED
- O-RINGS - THERMOPLASTIC RUBBER
- HEX NUT - COPPER ALLOY, NICKEL PLATED
- WASHER - STEEL, NICKEL PLATED

2. THIS PRODUCT IS RoHS COMPLIANT.

REV	ECO NUMBER	DATE	BY	APVD
A	27391	11-10-14	PC	TJK
REVISIONS				

UNLESS OTHERWISE SPECIFIED

1. ALL DIMENSIONS IN INCHES [mm]
- TWO PLACE DECIMALS ± 0.02 [0.5]
- THREE PLACE DECIMALS ± 0.005 [0.13]

DO NOT SCALE DRAWING

THIS DRAWING DESCRIBES A DESIGN CONSIDERED PROPRIETARY IN NATURE, DEVELOPED AND MANUFACTURED BY SWITCHCRAFT INC. AND IS RELEASED ON A CONFIDENTIAL BASIS FOR IDENTIFICATION PURPOSES ONLY.									
SIZE	WIDTH	MULT	LBS/M	TEMPER					
FINISH SPEC No.					MATERIAL SPEC No.				
FIRST USED ON			SCALE 3:1		Switchcraft [®]				
DATE DRAWN	BY	CHKD	APVD						
9-26-13	SRC	SRC	SRC		SHEET 1 OF 1				
NAME RIGHT ANGLE SEALED 10 AMP POWER JACK, RoHS					PART No.		REV		
					RAPC10U			A	