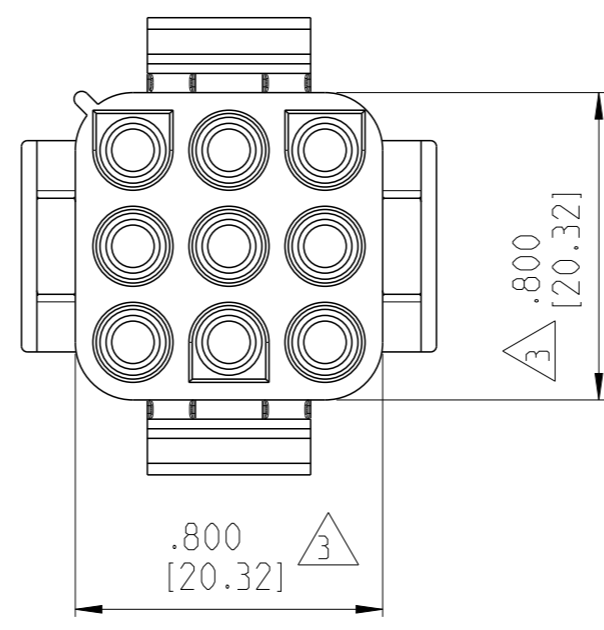
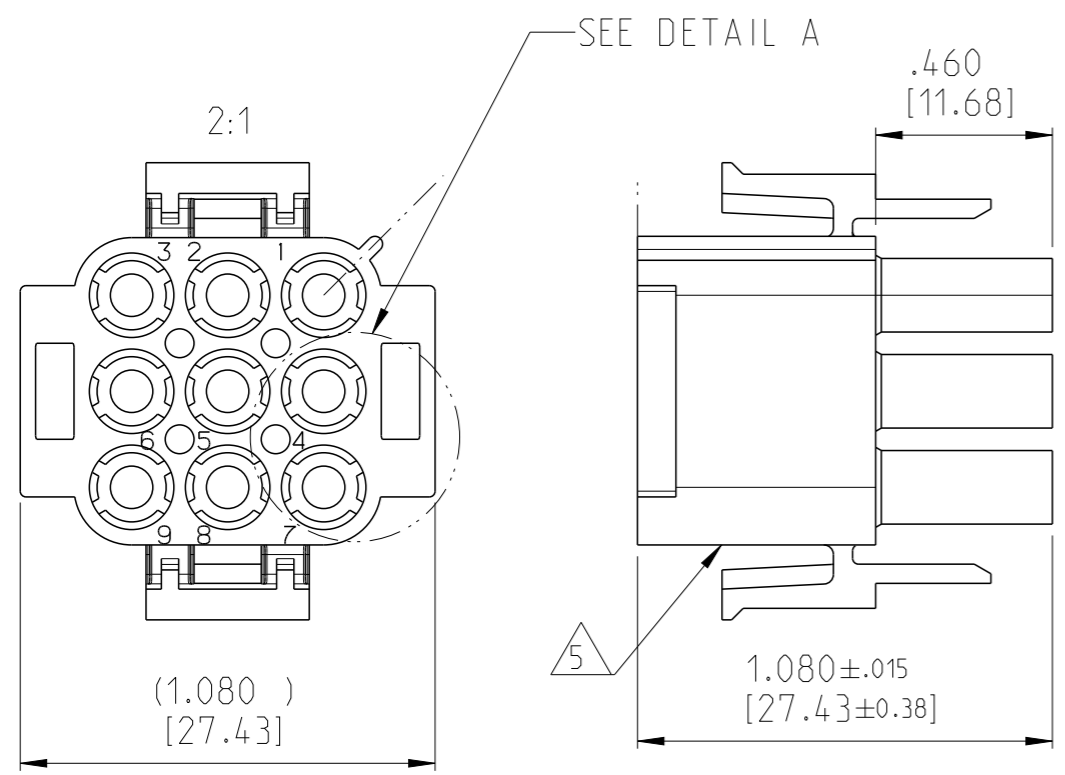


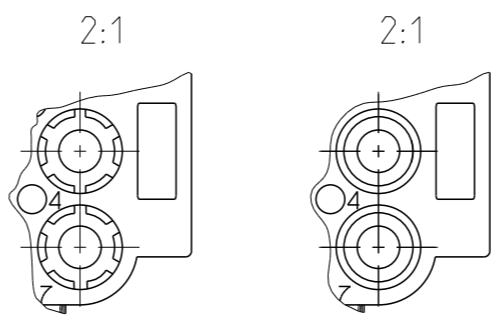
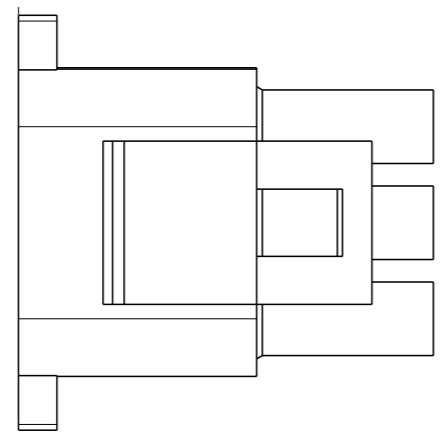
THIS DRAWING IS UNPUBLISHED
 RELEASED FOR PUBLICATION
 2009
 © COPYRIGHT 2009 BY - ALL RIGHTS RESERVED.

LOC	DIST	REVISIONS					
		P	LTR	DESCRIPTION	DATE	DWN	APVD
IR	-		A1	ECR-10-004478	11MAR2010	SRE	PCH
			A2	ECR-13-010044	24JUN2013	MGT	R.P
			A3	ECR-14-001256	21FEB2014	KKB	RRP
			A4	ECR-14-002737	24FEB2014	KKB	RRP

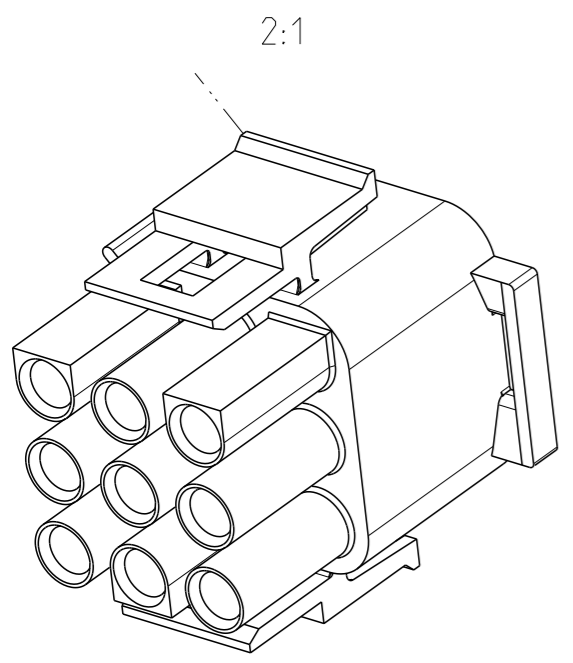


- MATES WITH APPROPRIATE UNIVERSAL MATE-N-LOCK CAP OR HEADER
- SMALL NICKS ARE PERMITTED ON THE CIRCUIT TOWERS WHICH COULD INCREASE THE INITIAL HOUSING MATING FORCE BY UPTO 4.4N [1.0 LBS]. NO INDIVIDUAL NICKED TOWER SHALL INCREASE THIS FORCE BY OVER 2.2N [.5LBS]

- △ 3 DIMENSION INDICATED IS AS MOULDED. ADDITIONAL GROWTH DUE TO SUBSEQUENT MOISTURE ABSORPTION MAY OCCUR
- △ 4 FOUR RIBS EQUALLY SPACED, NO SPECIFIC ORIENTATION, NO RIBS OR SIX RIBS EQUALLY SPACED, NO SPECIFIC ORIENTATION, OPTIONAL
- △ 5 UNDERWRITERS RECOGNIZED COMPONENT LOGO AND CSA CERTIFICATION LOGO TO BE LOCATED ONCE ON EACH SIDE OF HOUSING
- △ 6 NYLON, UL94V-2
- △ 7 MATERIAL CORRESPONDING TO THE REQUIREMENTS OF IEC 60335 (INCL. GLOW WIRE TEST 750°C WITHOUT FLAME)
- △ 8 PRELIMINARY PART NOT RELEASED FOR PRODUCTION



△ 4 DETAIL A
 OPTIONAL CONSTRUCTION



△ 7	NATURAL	PA66 UL94-V0 GWT 750 °C	1-1863003-2	3
△ 8	NATURAL	PA6 UL94-V0	1-1863003-1	2
△ 7 △ 6	NATURAL	PA6 UL94-V2	1863003-1	1
REMARK	COLOUR	MATERIAL	PART No	SL No

THIS DRAWING IS A CONTROLLED DOCUMENT.		DWN J. SALO 29NOV2007	TE Connectivity	
DIMENSIONS: INCH [mm]		CHK J. LAZARO 29NOV2007		
		APVD L. BATLLO 29NOV2007		
TOLERANCES UNLESS OTHERWISE SPECIFIED:		PRODUCT SPEC	NAME PLUG. 9 CIRCUIT UNIVERSAL MATE N LOCK	
0 PLC ±		APPLICATION SPEC	-	
1 PLC ±		WEIGHT	-	
2 PLC ±0.13 [0.005]		SIZE CAGE CODE DRAWING NO RESTRICTED TO		
3 PLC ±		A3 00779 C-1863003		
4 PLC ±		CUSTOMER DRAWING SCALE 1:1 SHEET 1 OF 1 REV A4		
ANGLES ±0.5°				
FINISH -				