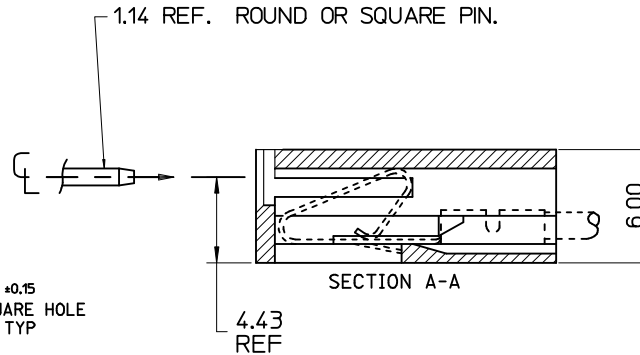
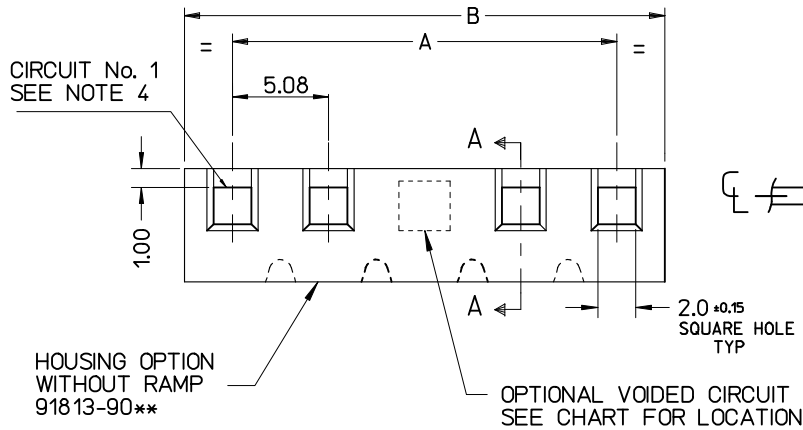


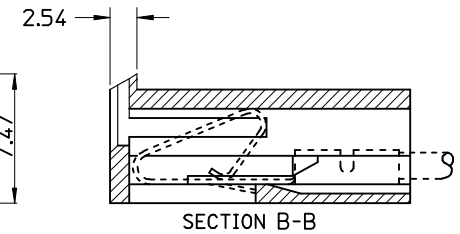
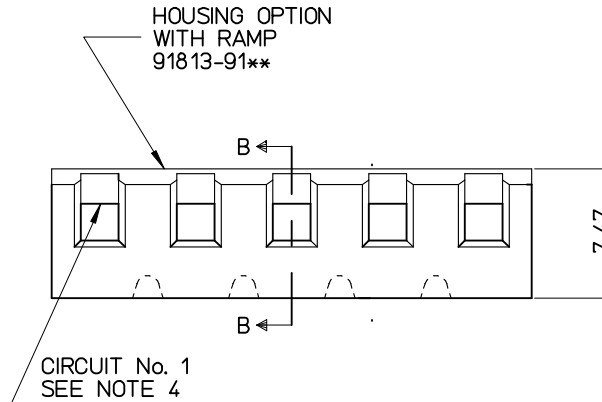
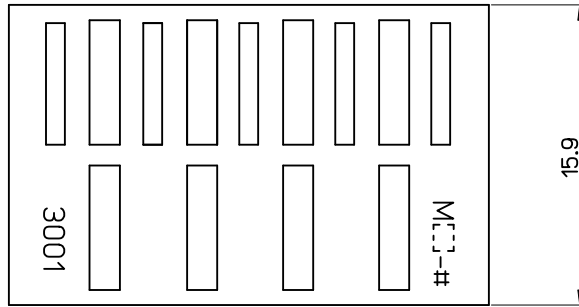
CIRCUIT No. 1
SEE NOTE 4



12	91813-9012	91813-9112	55.88	±0.25	60.96	$\frac{+0}{-0.15}$
11	▲-9011	▲-9111	50.80	±0.20	55.88	$\frac{-0.15}{-0.15}$
10	-9010	-9110	45.72	±0.20	50.80	$\frac{-0.15}{-0.15}$
9	-9009	-9109	40.64	±0.20	45.72	$\frac{-0.15}{-0.15}$
8	-9008	-9108	35.56	±0.20	40.64	$\frac{-0.15}{-0.15}$
7	-9007	-9107	30.48	±0.20	35.56	$\frac{-0.15}{-0.15}$
6	-9006	-9106	25.40	±0.10	30.48	$\frac{-0.15}{-0.15}$
5	-9005	-9105	20.32	±0.10	25.40	$\frac{-0.15}{-0.15}$
4	-9004	-9104	15.24	±0.10	20.32	$\frac{-0.15}{-0.15}$
3	▼-9003	▼-9103	10.16	±0.10	15.24	$\frac{-0.15}{-0.15}$
2	91813-9002	91813-9102	5.08	±0.10	10.16	$\frac{-0.15}{-0.15}$
CKT. SIZE	PART NO. WITHOUT RAMP	PART NO. WITH RAMP	A		B	
DIMENSION						

HOUSINGS WITH VOIDED CIRCUITS

5	91813-9121	20.32	±0.10	25.40	$\frac{+0}{-0.15}$	2.4
CKT. SIZE	PART NO. WITHOUT RAMP	PART NO. WITH RAMP	A		B	
DIMENSION						
VOIDED CIRCUIT						



NOTE:

1. MATERIAL: POLYAMIDE (PA6), UL-94V-2
COLOR: WHITE
2. FINISH: N/A
3. PRODUCT SPECIFICATION: PS-99020-0087
4. CIRCUIT 1 MAY OR MAY NOT LINE UP WITH CIRCUIT 1 OF THE MATING PART.
5. THIS PART CONFORMS TO CLASS B REQUIREMENTS OF COSMETIC SPECIFICATION PS-45499-002.
6. THIS HOUSING USES KK TERM. No's. 2478, 2578 & 2878.
7. COLOR VARIATION MAY BE VISIBLE ON THE HOUSING SURFACES.

ADD 4.43 REF. EC NO: UCP/2014-0496 DRWN:KIPPER 2013/08/01 CHKD:JBELL 2013/08/05 APPR:FSM/TH 2013/08/06	QUALITY SYMBOLS $\nabla_A=0$ $\nabla_C=0$ $\nabla_P=0$	GENERAL TOLERANCES (UNLESS SPECIFIED)		DIMENSION STYLE	SCALE	DESIGN UNITS	THIRD ANGLE PROJECTION	
		mm	INCH	MM ONLY	7:1	METRIC		
		4 PLACES	± --- ± ---	DRAWN BY	DATE	TITLE	5.08MM KK CRP TERM HSG GLOW WIRE COMPATIBLE	
		3 PLACES	± --- ± ---	DWAZSKIEWICZ	2006/06/08			
		2 PLACES	± 0.25 ± ---	CHECKED BY	DATE			
		1 PLACE	± 0.35 ± ---	J. DENNEHY				
		0 PLACE	± ±	APPROVED BY	DATE			
				FSMITH	2010/12/06			
		ANGULAR ±1/2°		MATERIAL NO.	DOCUMENT NO.	SD-91813-001		
		DRAFT WHERE APPLICABLE MUST REMAIN WITHIN DIMENSIONS		SEE CHART		SHEET NO. 1 OF 1		
C2	REV	SIZE A3		THIS DRAWING CONTAINS INFORMATION THAT IS PROPRIETARY TO MOLEX INCORPORATED AND SHOULD NOT BE USED WITHOUT WRITTEN PERMISSION				