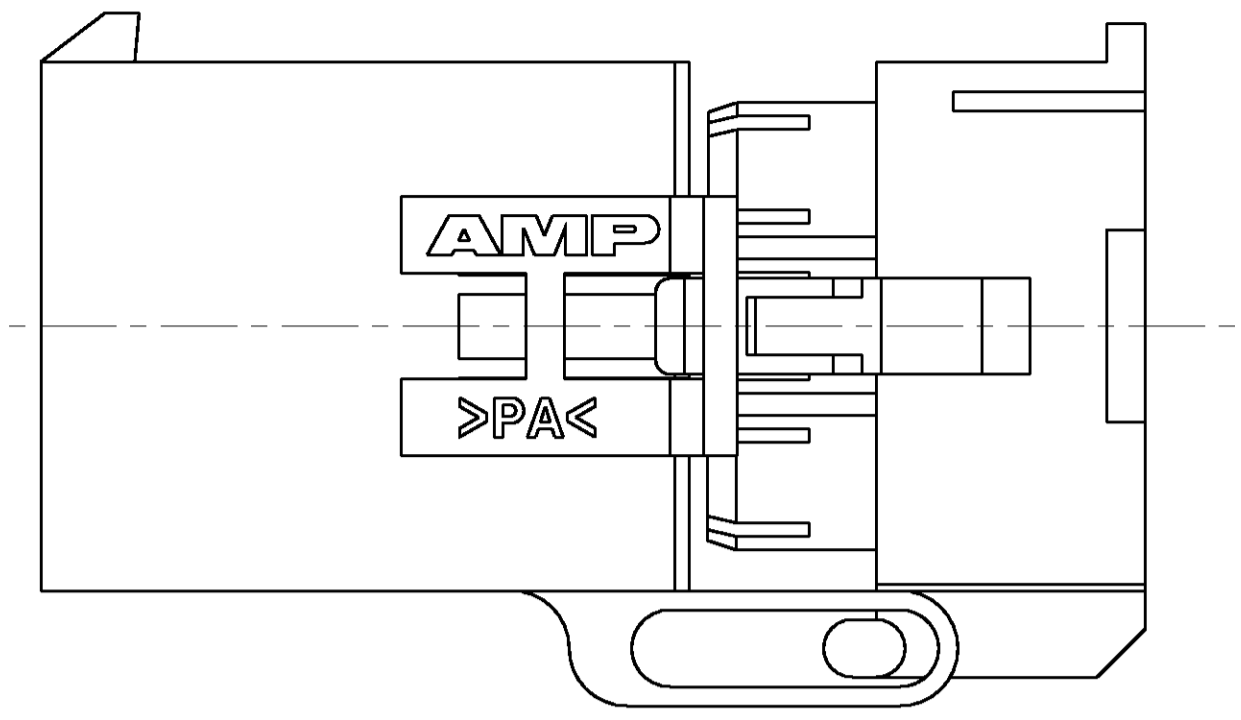
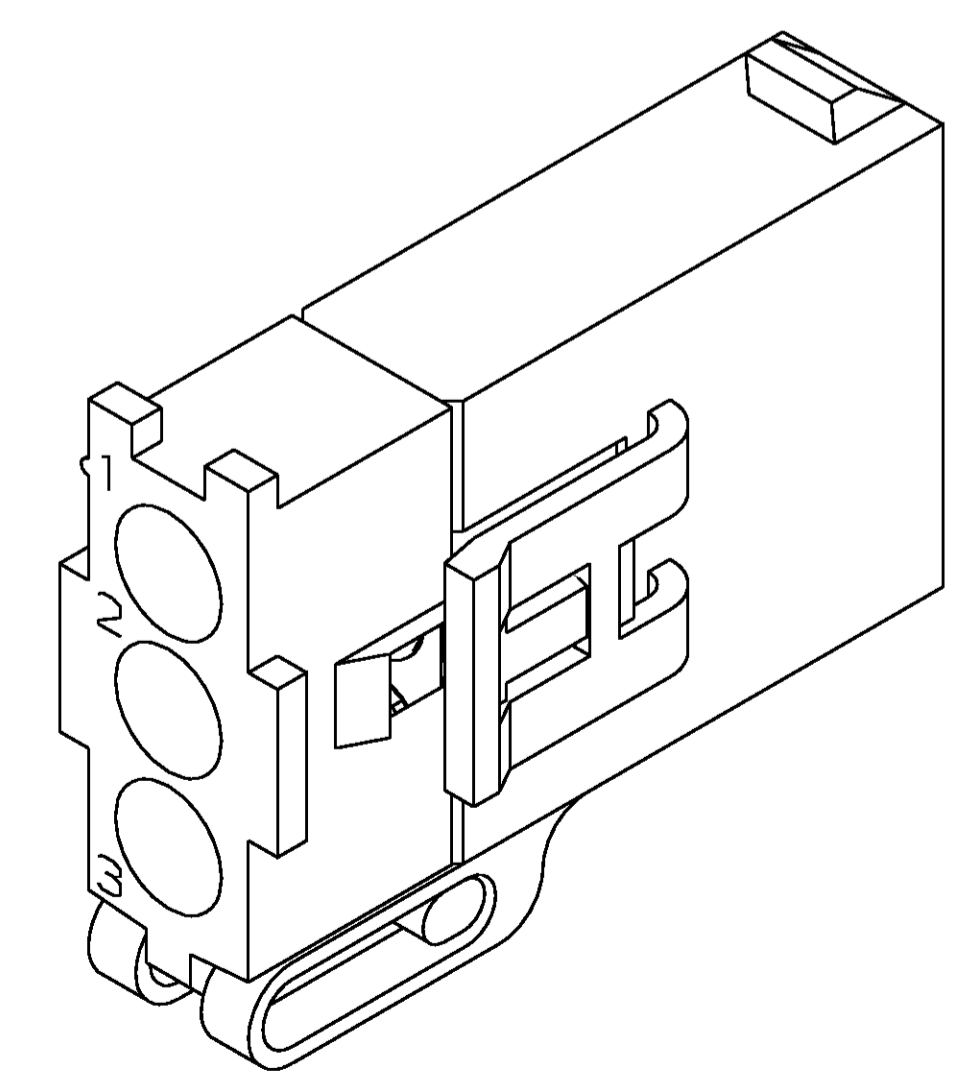
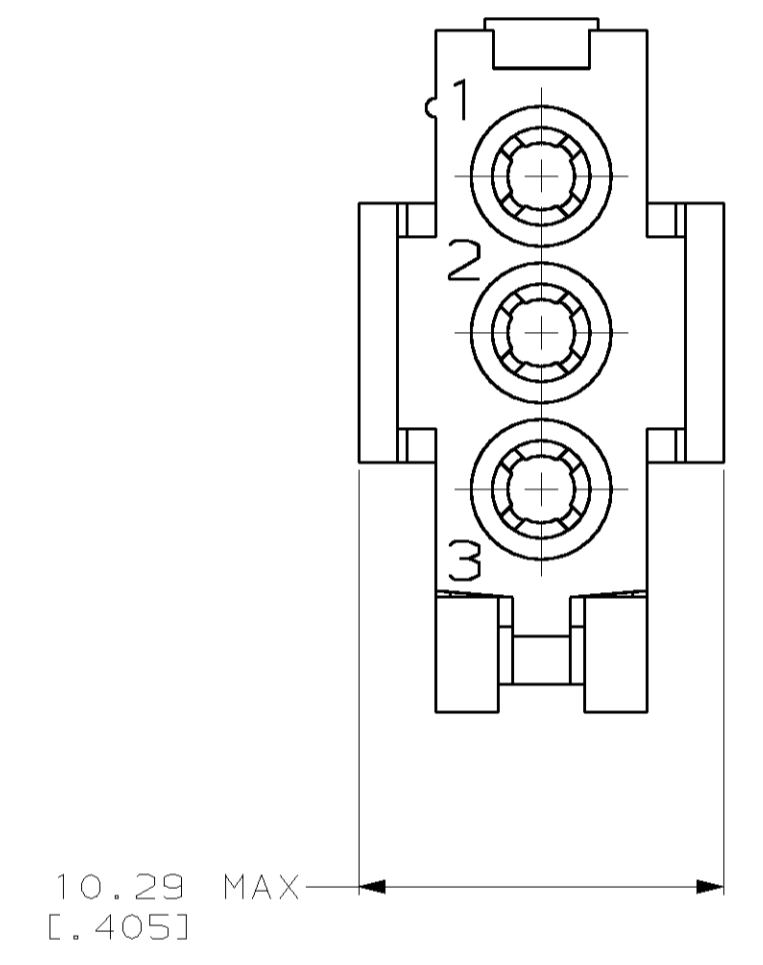
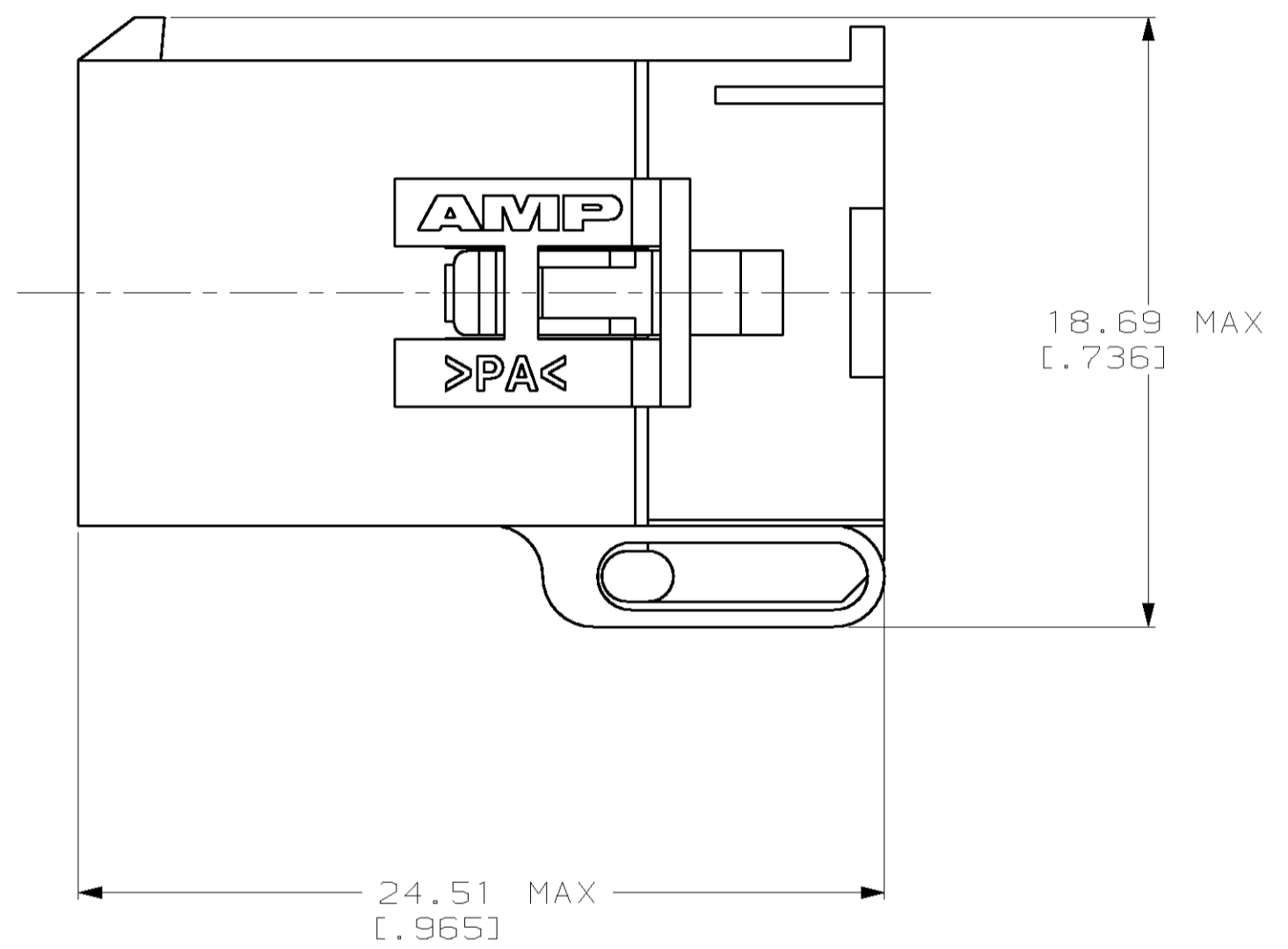
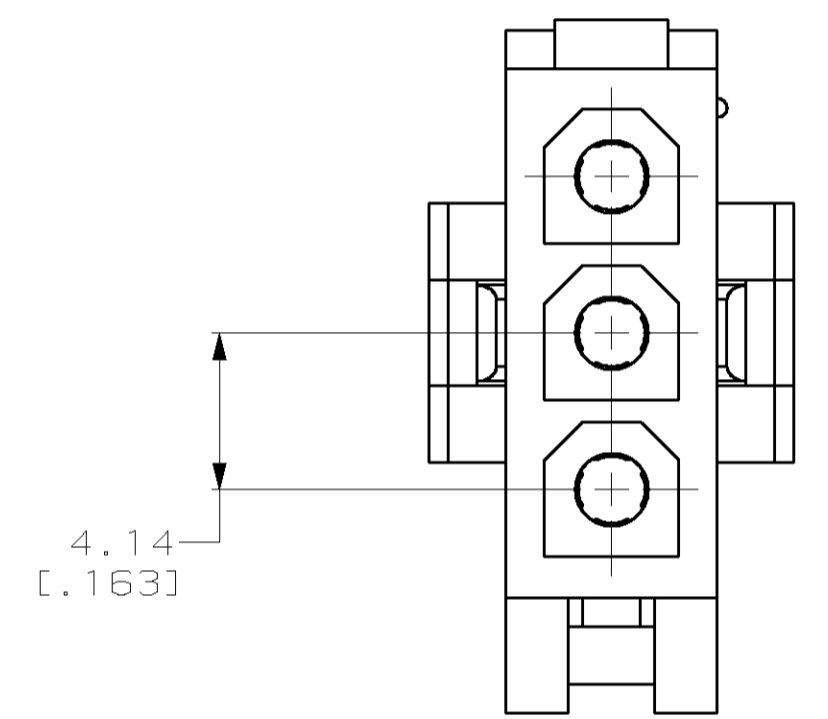


REVISONS		DATE	DWN	APVD
CM	53			
C		06-JUN-03	KW	CJ



PRE-STAGED CONDITION

1. DIMENSIONS IN BRACKETS ARE IN INCHES.



3-DIMENSIONAL MODEL
NTS

794240-1
PART NUMBER

METRIC

THIS DRAWING IS A CONTROLLED DOCUMENT.		DWN K. WHITAKER 5-09-97	AMP AMP Incorporated Harrisburg, PA 17105-3608
		DIR R. SWING 5-09-97	
DIMENSIONS:		APVD E. ORSTAD 5-09-97	NAME CAP, 3 CIRCUIT, MINI UNIVERSAL MATE-N-LOK™ 2
mm	TOLERANCES UNLESS OTHERWISE SPECIFIED:	PRODUCT SPEC	SIZE CAGE CODE DRAWING NO
	0 PLC ±0.13 (0.005)	APPLICATION SPEC	RESTRICTED TO
	1 PLC ±0.13 (0.005)	WEIGHT	A1 00779 C-794240
	2 PLC ±0.13 (0.005)	CUSTOMER DRAWING	SCALE 5:1 SHEET 1 OF 1 REV C
	3 PLC ±0.13 (0.005)		
	4 PLC ±0.13 (0.005)		
	ANGLES ±0°30'		
MATERIAL NYLON, JL 94V-2, NATURAL	FINISH		