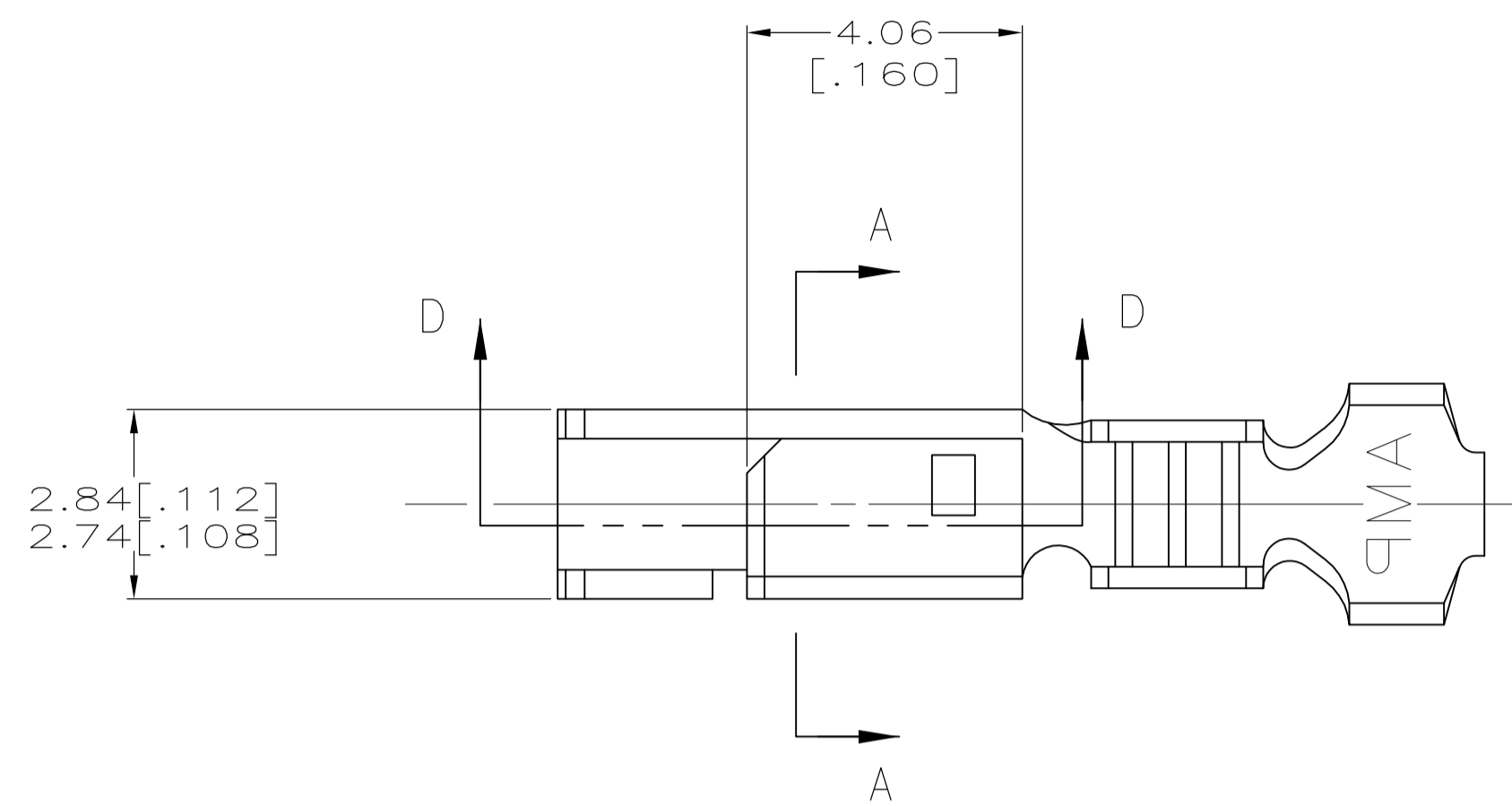
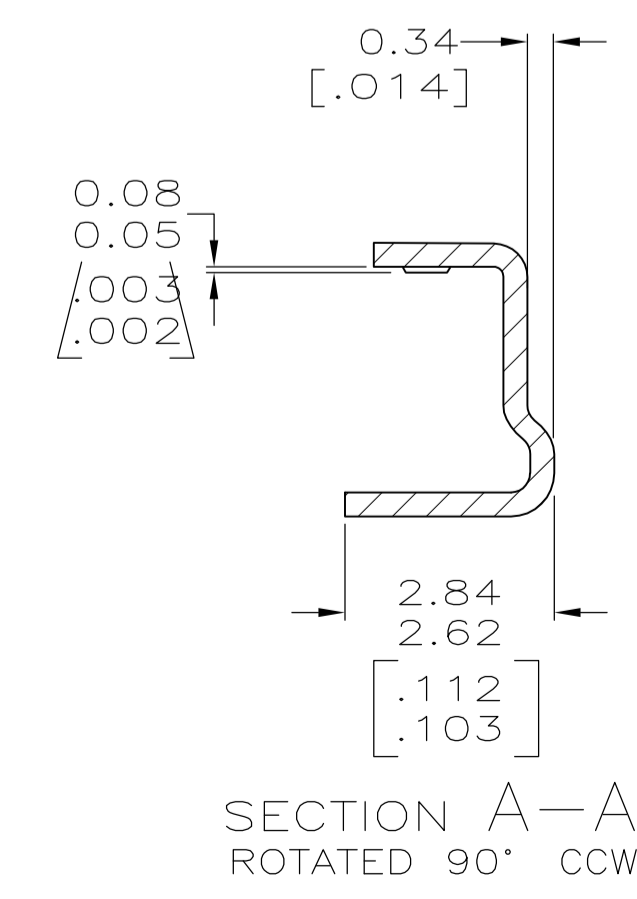
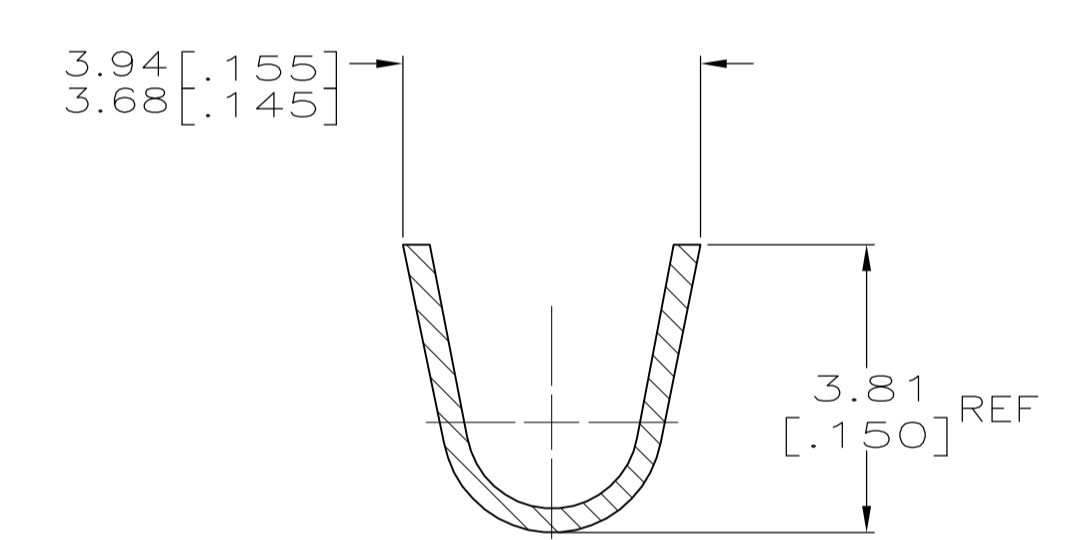
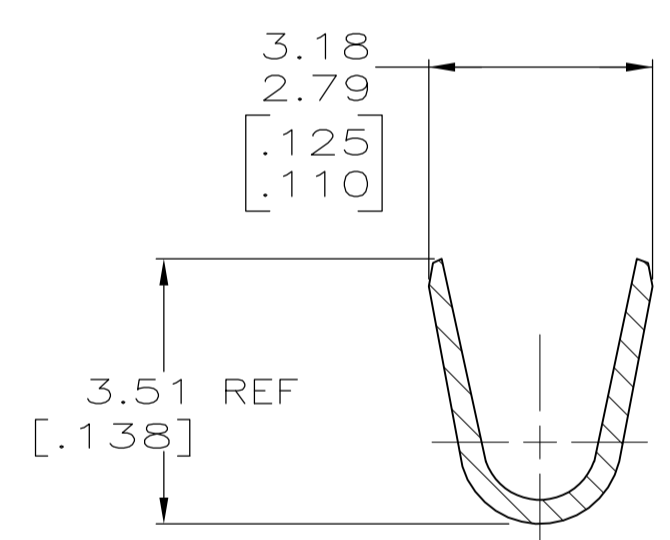
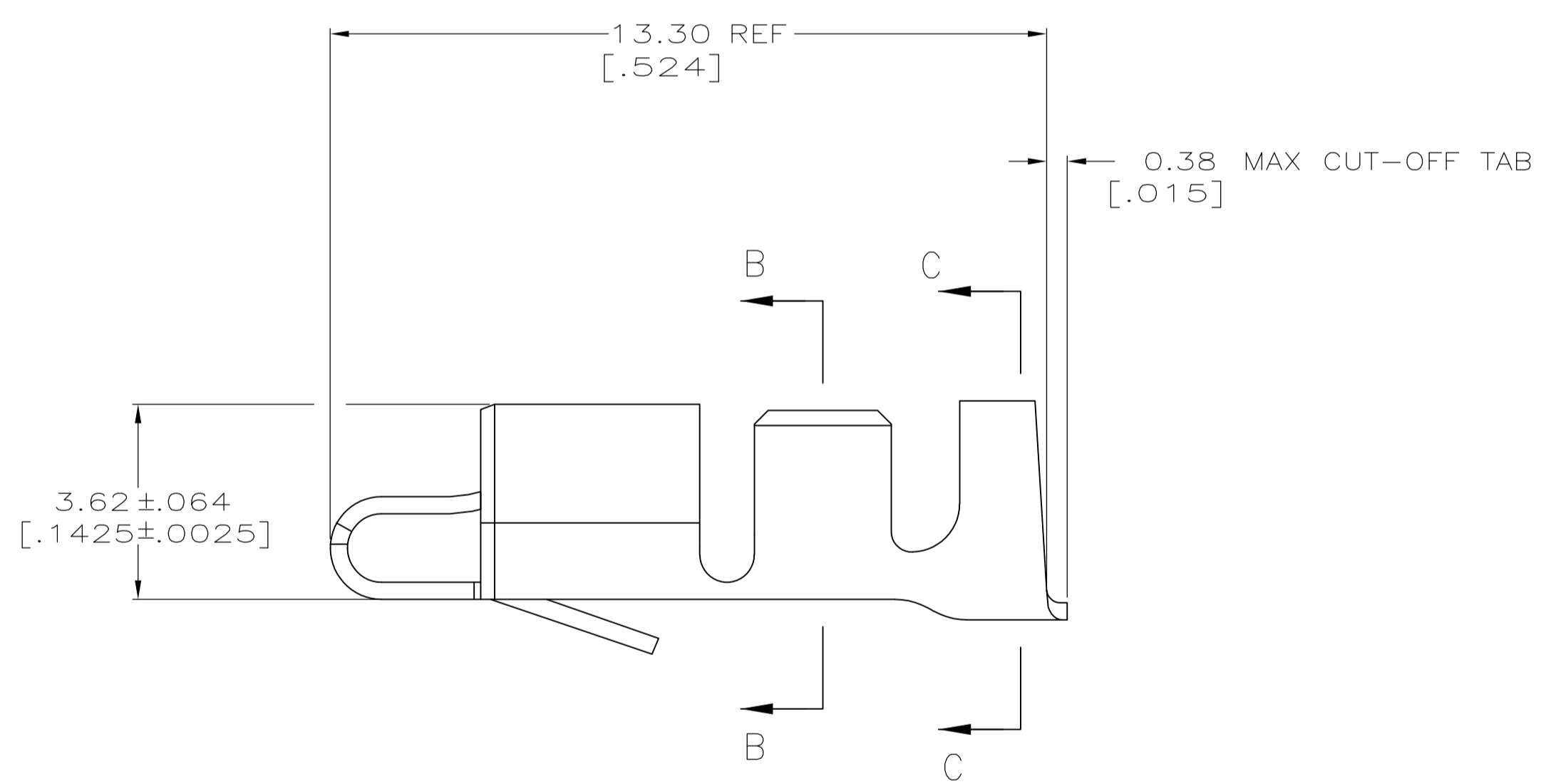
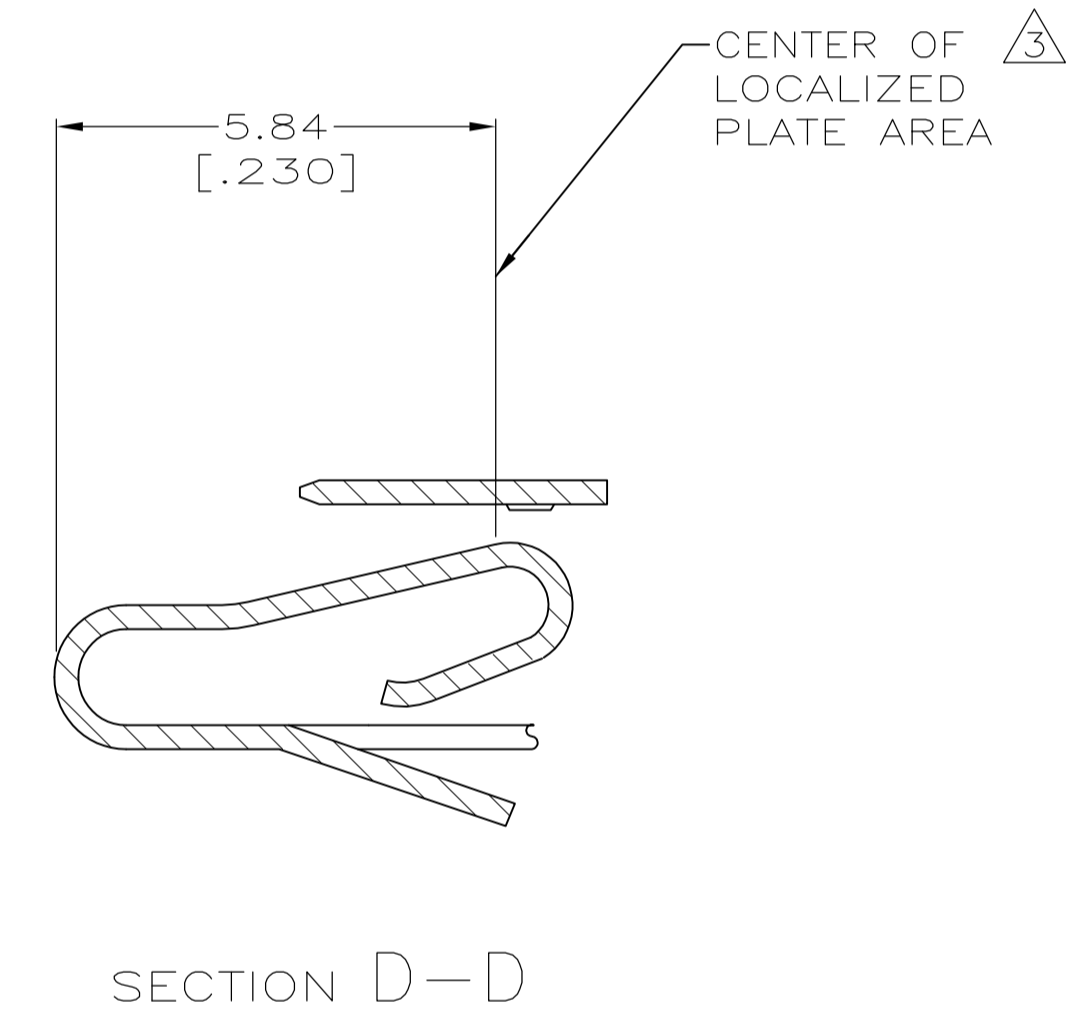


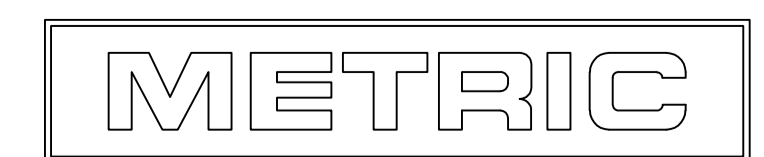
LOC		DIST		REVISIONS			
P	LTR	DESCRIPTION	DATE	DNW	APVD		
A		ECO-07-023735	09OCT07	KW	SR		



1. INSULATION RANGE: 1.78-2.84 [.070-.112]
 WIRE RANGE: NOT TO EXCEED 2550-2800 CMA (1.29-1.42 mm²)
 (LIMITED 16 AWG RANGE).
2. 0.00203 [.000080] MIN BRIGHT TIN-LEAD OVER
 0.00127 [.000050] MIN NICKEL.
3. 0.00076 [.000030] MIN THICK GOLD STRIPES IN
 LOCALIZED PLATE AREA ON BEAM AND DIMPLE OVER
 0.00127 [.000050] MIN THICK NICKEL OVER ENTIRE
 CONTACT.
4. DIMENSIONS IN BRACKETS ARE IN INCHES.
5. FOR USE ONLY WITH LID STYLE HOUSING.
6. 0.00203 [.000080] MIN BRIGHT TIN OVER
 0.00127 [.000050] MIN NICKEL.



6	3-647485-1
3	647485-2
2	647485-1
FINISH	PART NUMBER



THIS DRAWING IS A CONTROLLED DOCUMENT.		DIN K. WHITAKER 15-JAN-2001		Tyco Electronics Corporation	
DIMENSIONS: mm [INCHES]		CHK J. ELLIS 15-JAN-2001		Harrisburg, PA 17105-3608	
TOLERANCES UNLESS OTHERWISE SPECIFIED:		APVD J. ELLIS 15-JAN-2001		NAME	
0. PLC ± -		PRODUCT SPEC		SL-156 HOODED RECEPTACLE, LARGE WIRE CONTACT, LOOSE PIECE	
1. PLC ± -		APPLICATION SPEC		108-1049	
2. PLC ± -		SIZE		114-1021	
3. PLC ± .005		WEIGHT		A1 00779 647485	
4. PLC ± -		MATERIAL PH BRZ		CUSTOMER DRAWING	
ANGLES ± -		FINISH SEE TABLE		SCALE 10:1 SHEET 1 OF 1 REV A	