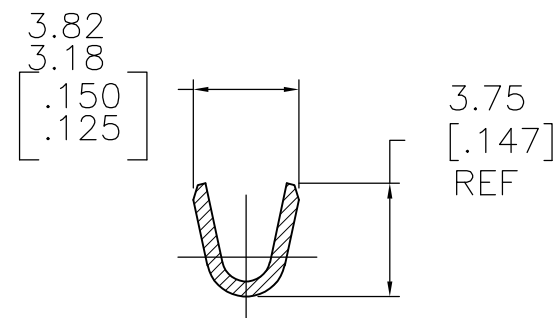
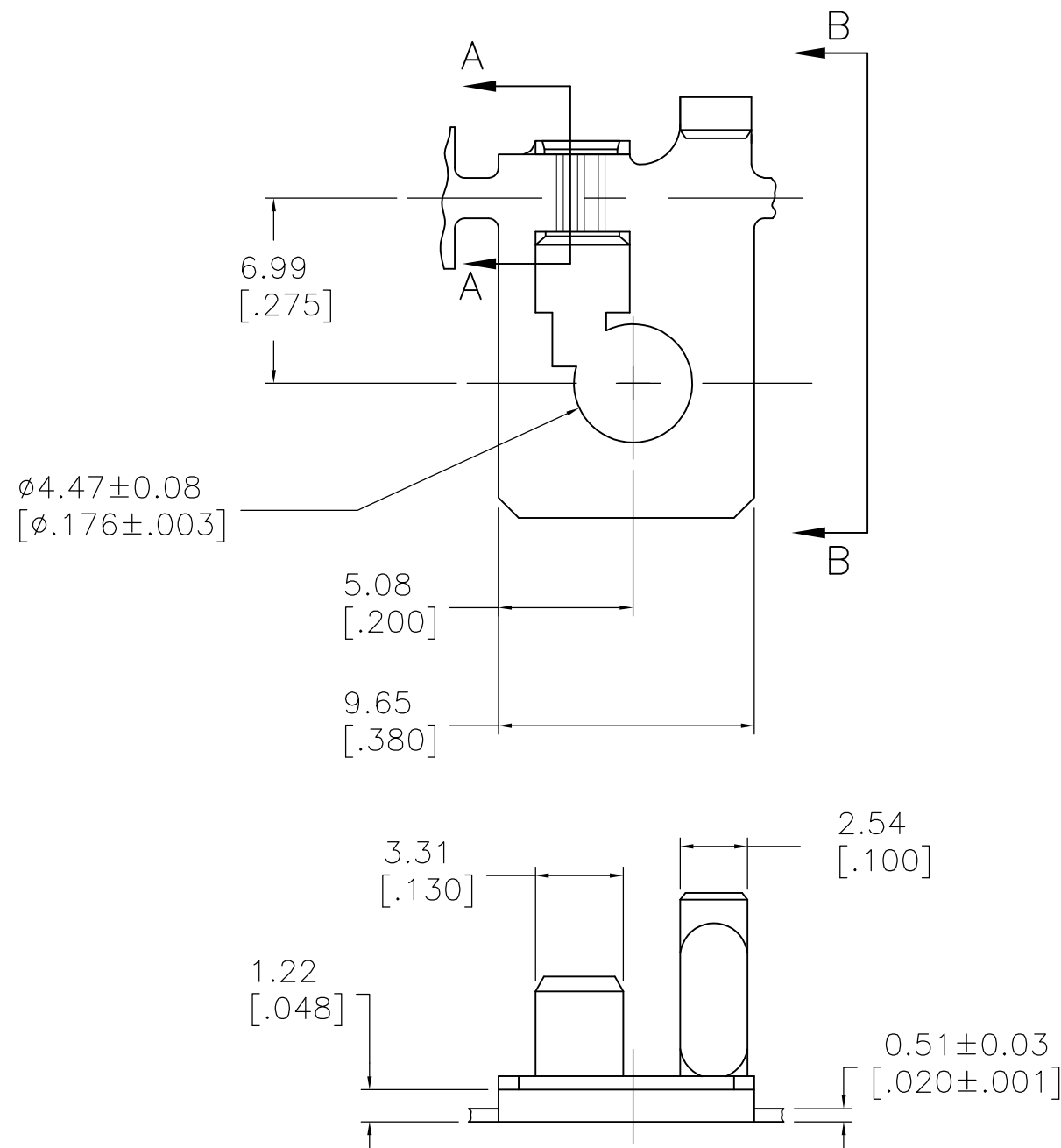


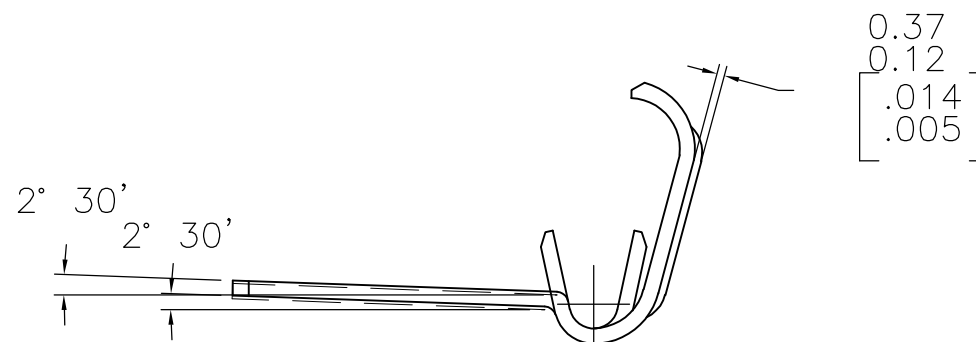
THIS DRAWING IS UNPUBLISHED. RELEASED FOR PUBLICATION
 © COPYRIGHT BY TYCO ELECTRONICS CORPORATION. ALL RIGHTS RESERVED.

LOC	DIST	REVISIONS			
P	LTR	DESCRIPTION	DATE	DWN	APVD
AF	50	E2	REVISED PER ECR-10-015031	29JUL10	HMR PD

- 1 CONTINUOUS STRIP ON REELS
- 2 WIRE RANGE IS 18-14 AWG.
- 3 INSULATION RANGE IS 2.54-3.56 [.100-.140] DIA



SECTION A-A



VIEW B-B

61443-1
 PART NO

THIS DRAWING IS A CONTROLLED DOCUMENT.		DWN RAGHAVENDRA 16MAY08	Tyco Electronics Corporation Harrisburg, PA 17105-3608		
DIMENSIONS: mm [INCHES]		CHK JEFF RUTH 16MAY08	NAME		
TOLERANCES UNLESS OTHERWISE SPECIFIED:		APVD JEFF RUTH 16MAY08	RING, FLAG		
0 PLC ± -		PRODUCT SPEC	SIZE CAGE CODE DRAWING NO RESTRICTED TO		
1 PLC ± -		APPLICATION SPEC	A3 00779 C-61443		
2 PLC ± -		WEIGHT -	SCALE 4:1 SHEET 1 OF 1 REV E2		
3 PLC ± 0.38 [.015]		CUSTOMER DRAWING			
4 PLC ± -					
ANGLES ± 1° 0'					
MATERIAL BRASS	FINISH TIN				