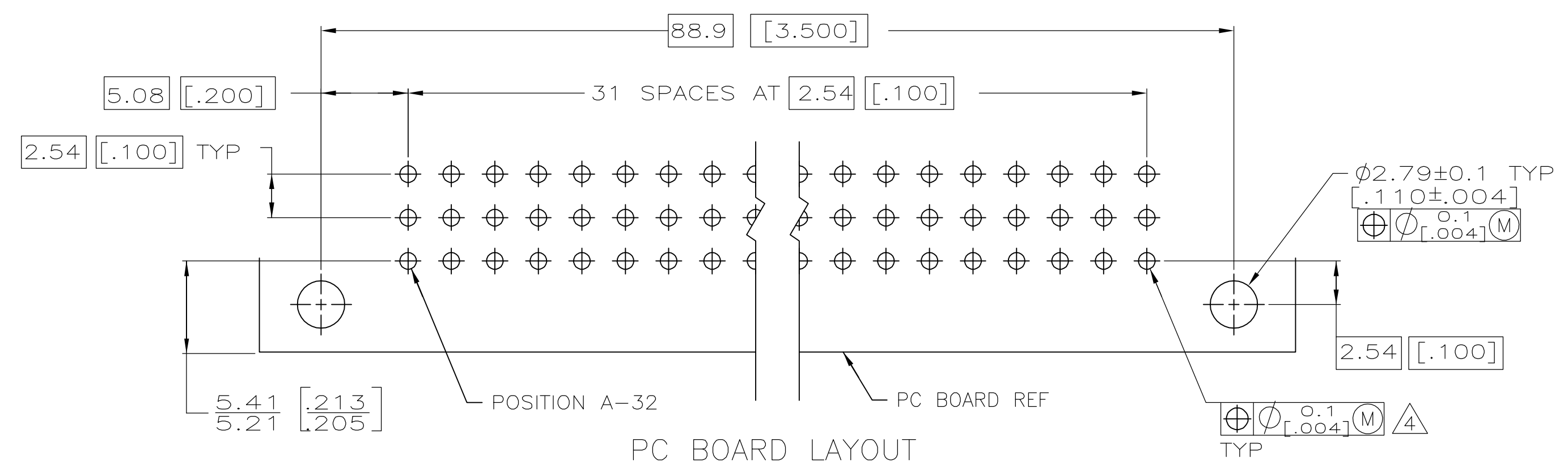
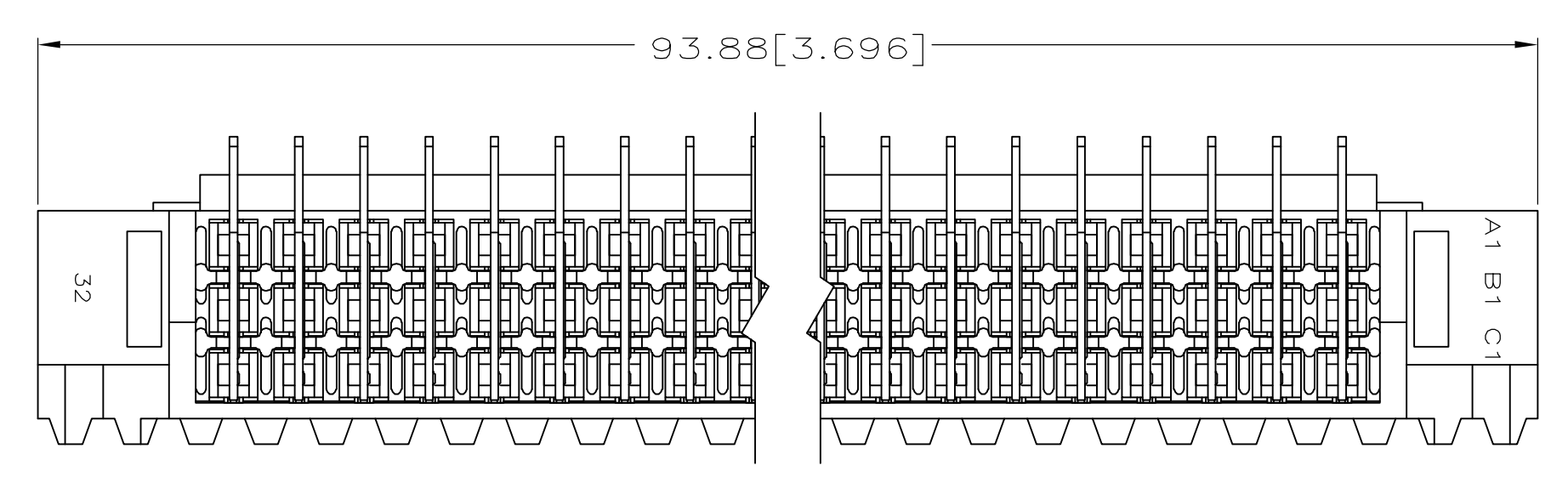
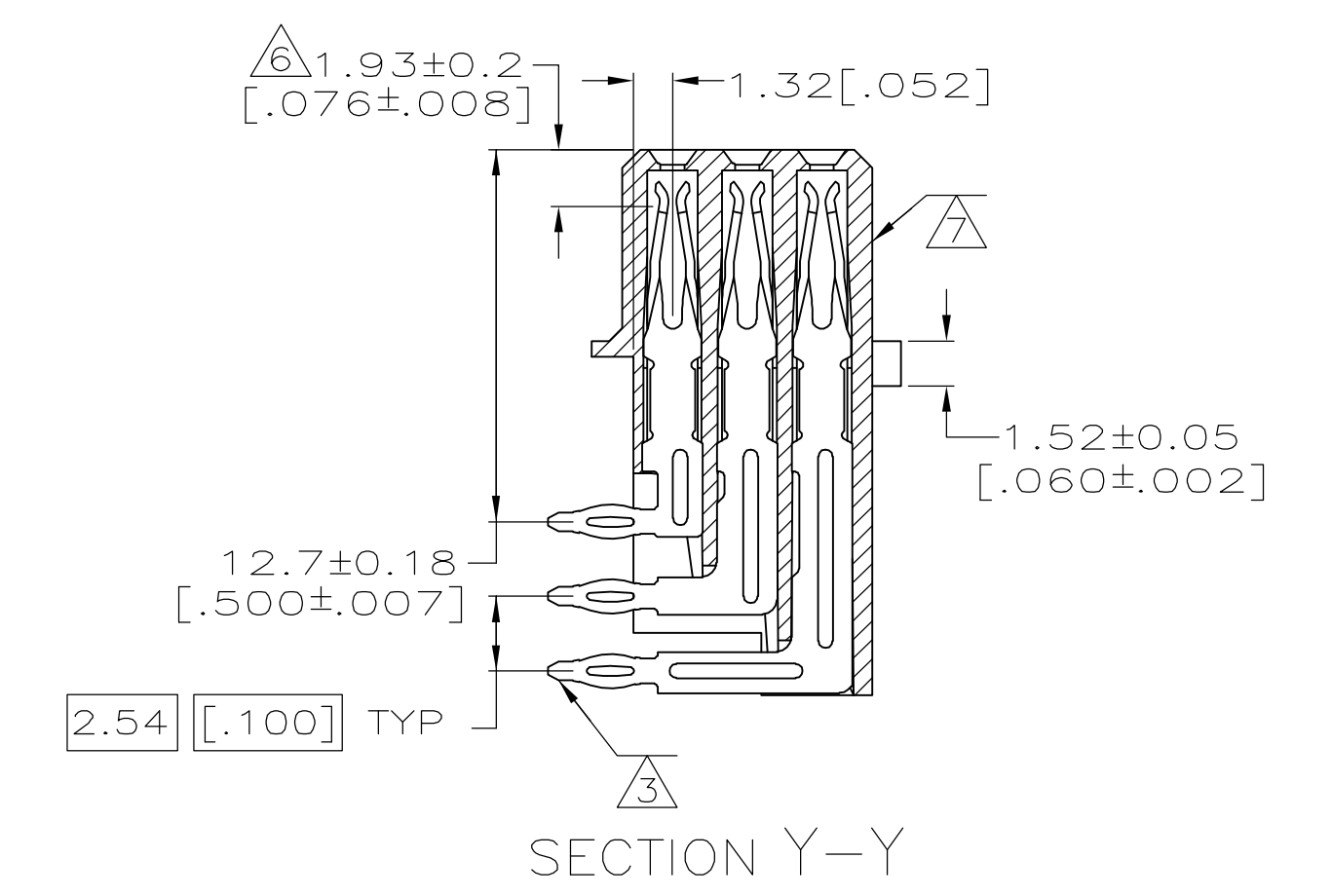
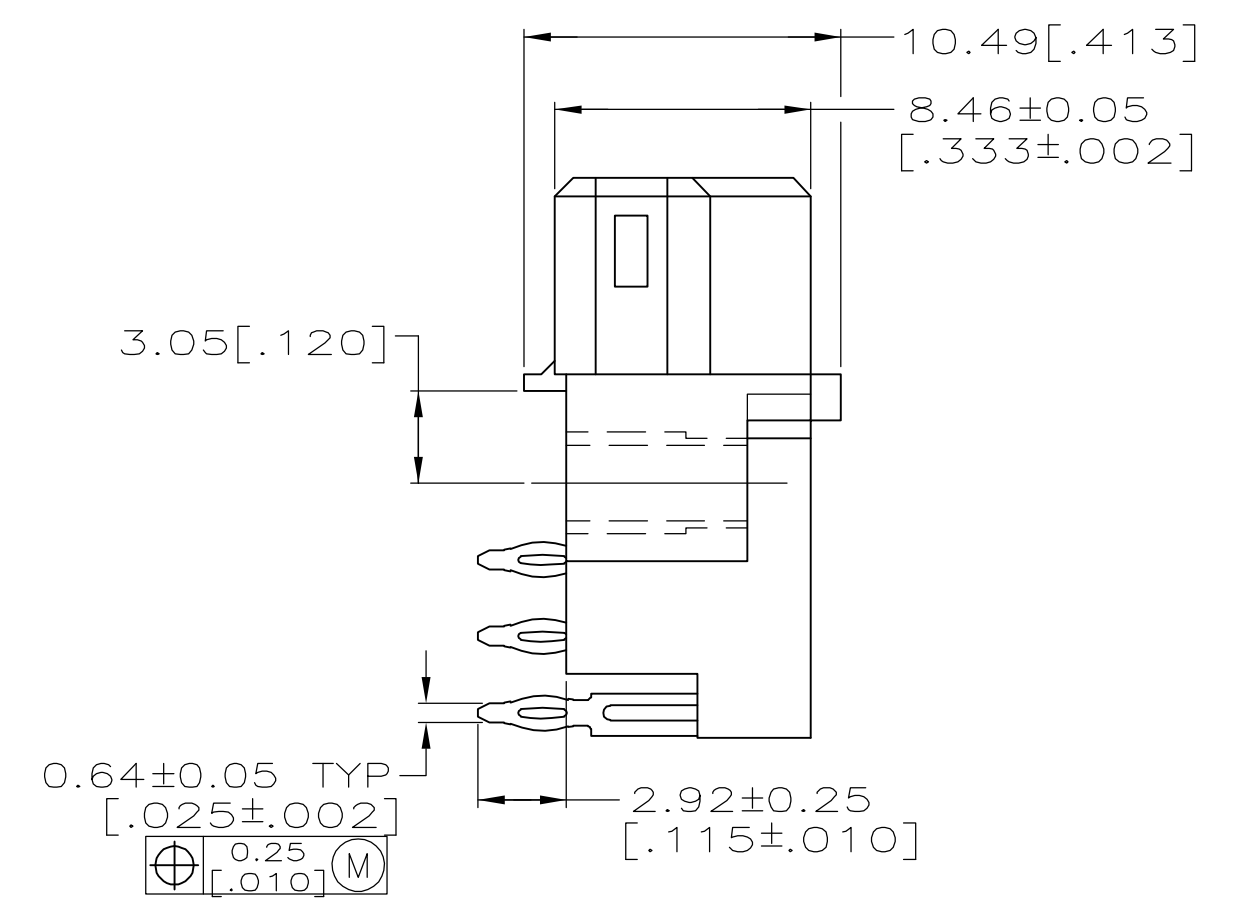
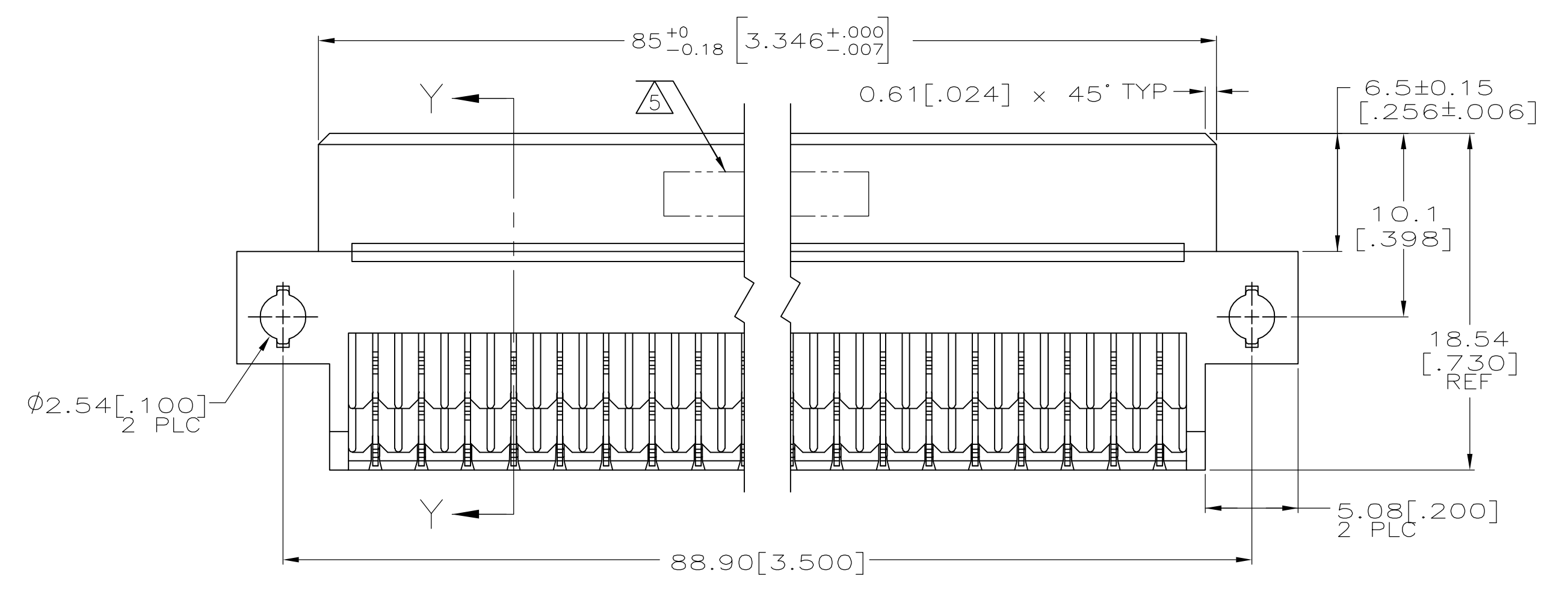


- △ HOUSING MATERIAL: GLASS-FILLED POLYMER.
- △ CONTACT MATERIAL: COPPER ALLOY.
- △ CONTACT FINISH: DIN 41612 CLASS 2 IN CONTACT AREA. TIN PLATE ON POSTS.
- △ COMPLIANT PIN REQUIRES 1.57 [.062] MINIMUM THICK PC BOARD. RECOMMENDED PC BOARD HOLES ARE Ø1.151±0.025 [.0453±.0010] DRILLED HOLES WITH 0.02-0.08 [.001-.003] COPPER AND 0.008 [.0003] MINIMUM TIN-LEAD PLATING. FINISHED HOLES AFTER PLATING, Ø0.94-1.09 [.037-.043].
- △ PART NUMBER, DATE CODE IDENTIFICATION, CSA LOGO, THIS APPROXIMATE AREA.
- △ CONTACT POINT.
- △ MARKING ON THIS SIDE.



5148292-5  
 PART NUMBER

THIS DRAWING IS A CONTROLLED DOCUMENT.		DWN J. POLIGNONE	03JUN05		Tyco Electronics Corporation Harrisburg, Pa 17105-3608	
DIMENSIONS: mm [INCHES]		CHK A. SHARPE	03JUN05		NAME	ASSEMBLY, RECEPTACLE, EUROCARD, TYPE R, LEAD-FREE, 96 POSITION 2.92 [.115] PRESS-FIT
TOLERANCES UNLESS OTHERWISE SPECIFIED:		APP'D A. SHARPE	03JUN05	PRODUCT SPEC	APPLICATION SPEC	
0 PLC ± - 1 PLC ± - 2 PLC ± 0.15 [.005] 3 PLC ± - 4 PLC ± - ANGLES ± -		SIZE		CAGE CODE	DRAWING NO	RESTRICTED TO
MATERIAL		WEIGHT		A1	00779	©=5148292
△ △ △		CUSTOMER DRAWING		SCALE	4:1	SHEET 1 OF 1 REV 0