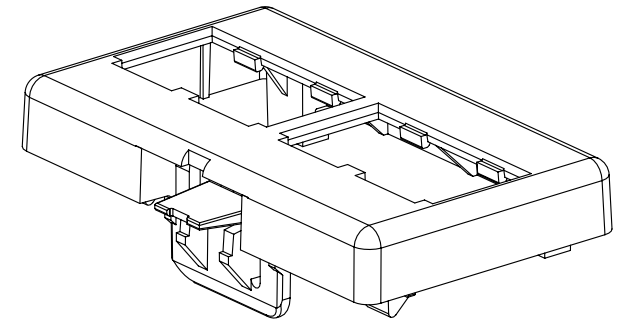
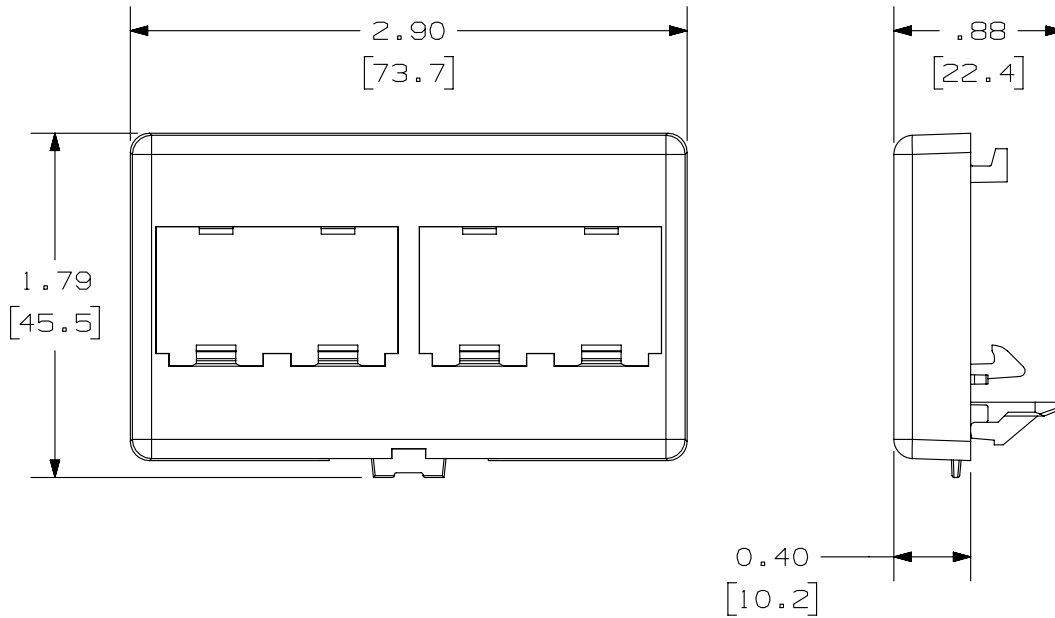


THIS COPY IS PROVIDED ON A RESTRICTED BASIS AND IS NOT TO BE USED IN ANY WAY DETRIMENTAL TO THE INTERESTS OF PANDUIT CORP.

PANDUIT P/N	WEIGHT
CFFP4**	.20 LB/10 PCS (108.8 g/10 PCS)

NOTES:

1. SEE CURRENT CATALOG FOR ADDITIONAL PART NUMBER SUFFIXES TO INDICATE COLOR AND OR PACKAGE QUANTITY.
2. SEE CATALOG FOR COMPLETE LIST OF PARTS APPLICABLE FOR USE WITH THIS PART.
3. DIMENSIONS IN [] ARE IN METRIC.
4. FACEPLATE ACCEPTS 4 MINI-COM MODULES.
5. FACEPLATE SNAPS INTO STANDARD FURNITURE OPENING. (1.375 X 2.710)



PART NUMBER		CFFP4**	
TITLE			
MINI-COM 4 POSITION FURNITURE FACEPLATE			
CUSTOMER DRAWING			
ITEM REVISION NAME		M00806ZZ/08	
DATASET FILE NAME		M00806ZZ_DC/08A	
UNLESS OTHERWISE SPECIFIED, DIMENSIONAL TOLERANCES ARE: IN [mm]		MATERIAL:	
.x ± .03 [.8]		ABS	
.xxx ± .010 [.3]		DRAWING NUMBER:	
ANGLES ±		00806-02	
THIRD ANGLE PROJECTION		SHT 1 OF 1	
DRAWN BY	DATE	CHK	SCALE
JSP	8-11-99	MECA	NONE
REV	DATE	BY	CHK
2	3/11/14	JSP	REFR
1	6-27-01	JSP	JAJP
R	8-11-99	JSP	MECA
APR		MECA	
DESCRIPTION		ECN	
C. REVISED DRAWING TITLE BLOCK.		00806-02	
B. ADDED LOCATION TABS.		00806-02	
A. MODEL CHANGE; ADDED SNAP STOP FEATURES.		00806-02	
RELEASED TO PRODUCTION		00806-02	

D10100DA/14