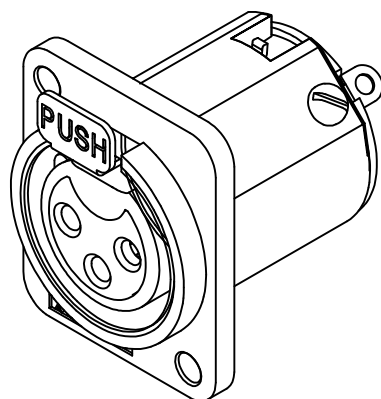


PANEL CUT OUT



ISO VIEW

AC*FDZ	INSERT No.
AC3FDZ	156-4065-*00
AC4FDZ	156-4073-*00
AC5FDZ	156-4074-*00
AC6AFDZ	156-4075-*00
AC7FDZ	156-4076-*00

UNLESS OTHERWISE SPECIFIED TOLERANCE TO BE		THIS DOCUMENT IS THE PROPERTY OF AMPHENOL AUSTRALIA PTY. LTD.. NO PART THEREOF MAY BE REPRODUCED AND USED WITHOUT THE PRIOR WRITTEN CONSENT OF THE OWNER		2	UPDATE TO AMPHENOL LOGO ADD SHEET 2 OF 2 FOR CUSTOMER DRAWING	M.N.H.	27-06-00	7473
LINEAR	ANGULAR			0	FIRST ISSUE	D.v.E.	21-09-1995	----
X ± 0.50	X' ± 1'			REV.	CHANGE DETAILS	BY	DATE	CHG/No
X,X ± 0.10	X'X' ± 30'	CAD FILE: 00821102	DRN: D.v.E.	DATE: 21-09-95	TITLE:		Amphenol	
X,XX ± 0.05	X'X'X' ± 15'	MATL: REFER TO COMPONENT	CKD: M.N.H.	DATE: 28-06-02	AC*FDZ PANEL MOUNT CUSTOMER DRAWING		Amphenol Australia Pty.Ltd, 2 Fineways Blvd, Keysborough, Vic.3173	
BREAK ALL SHARP EDGES AND REMOVE ALL BURRS		FINISH: REFER TO COMPONENT	APP'D: P.M.	DATE: 28-06-02	DRAWING NO.		SHEET	
DO NOT SCALE		THIRD ANGLE PROJECTION		SCALE: 2:1 UOS	PART No:	128461-0000	SIZE: A3	128461-0000 2 of 2
DIMENSIONS IN MILLIMETRES								