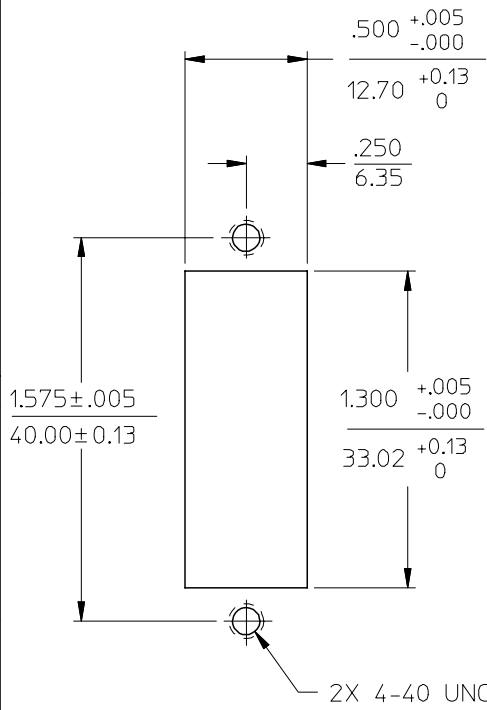
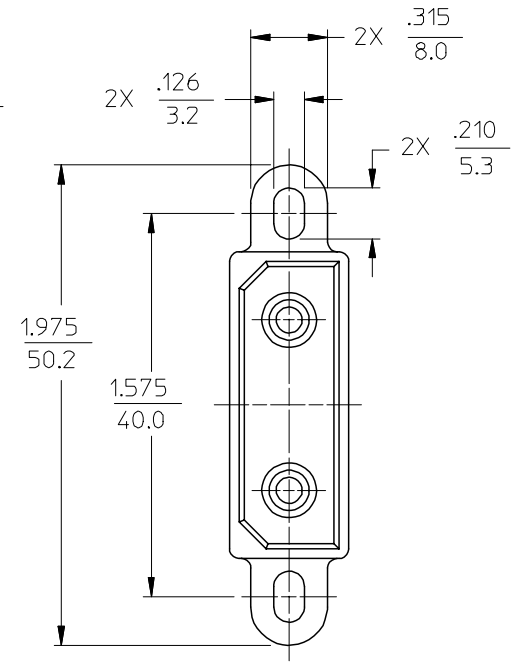
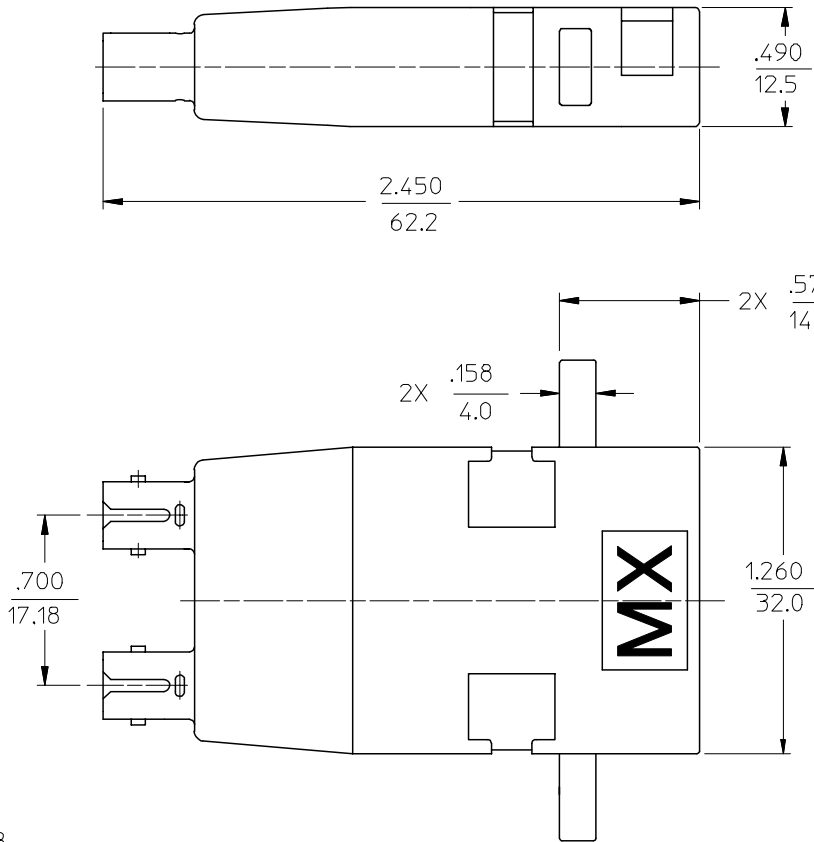


P/N of ADAPTER	MATERIAL of SLEEVE	COLOR of DUST CAP & DUST COVER
106140-0300	CERAMIC	BLACK
106143-0300	PLASTIC	RED



RECOMMENDED MOUNTING HOLE

NOTES:  
1. ALL DIMENSIONS ARE FOR REFERENCE ONLY EXCEPT THOSE ON MOUNTING HOLE.



ENTER DESCRIPTION EC NO: MF2006-0283 DRWN:PGIBLIN 2005/11/28 CHKD: 2005/11/28 APPR:IGUMIN 2005/11/28 A	QUALITY SYMBOLS ▽=0 ▽=0	GENERAL TOLERANCES (UNLESS SPECIFIED) <table border="1"> <tr> <th></th> <th>mm</th> <th>INCH</th> </tr> <tr> <td>4 PLACES</td> <td>± ---</td> <td>± ---</td> </tr> <tr> <td>3 PLACES</td> <td>± ---</td> <td>± ---</td> </tr> <tr> <td>2 PLACES</td> <td>± ---</td> <td>± ---</td> </tr> <tr> <td>1 PLACE</td> <td>± ---</td> <td>± ---</td> </tr> </table>		mm	INCH	4 PLACES	± ---	± ---	3 PLACES	± ---	± ---	2 PLACES	± ---	± ---	1 PLACE	± ---	± ---	DIMENSION STYLE IN/MM DRAWN BY: PGIBLIN DATE: 2005/10/26 CHECKED BY: _____ DATE: _____ APPROVED BY: _____ DATE: _____	SCALE 2:1 DESIGN UNITS INCH THIRD ANGLE PROJECTION	TITLE ST-ESCON ADAPTER (SCREW MOUNT)
		mm	INCH																	
	4 PLACES	± ---	± ---																	
	3 PLACES	± ---	± ---																	
2 PLACES	± ---	± ---																		
1 PLACE	± ---	± ---																		
MATERIAL NO. SEE TABLE	DOCUMENT NO. SD-10614X-0300	SHEET NO. 1 OF 01	MOLEX INCORPORATED																	
DRAFT WHERE APPLICABLE MUST REMAIN WITHIN DIMENSIONS			THIS DRAWING CONTAINS INFORMATION THAT IS PROPRIETARY TO MOLEX INCORPORATED AND SHOULD NOT BE USED WITHOUT WRITTEN PERMISSION																	
SIZE B			THIS DRAWING CONTAINS INFORMATION THAT IS PROPRIETARY TO MOLEX INCORPORATED AND SHOULD NOT BE USED WITHOUT WRITTEN PERMISSION																	