



MPSS-02-16-L-03.25-SR

MPSS-08-16-L-03.25-DR-NUS

MPSS SERIES

(5.00 mm) .1969"

POWERSTRIP™/30 CABLE ASSEMBLY

SPECIFICATIONS

For complete specifications see www.samtec.com?MPSS

Insulator Material: Nylon 6/6

Contact Material: Copper Alloy

Plating: Au or Sn over 50 μ" (1.27μm) Ni

Latch: Nylon 6/6

Operating Temp Range: -30 °C to +105 °C

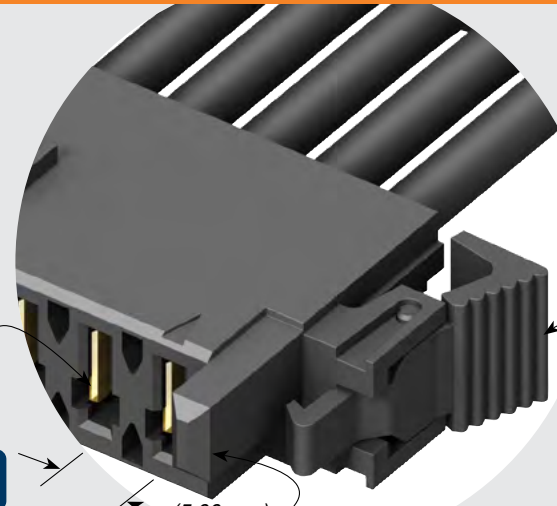
Voltage Rating: 600 VAC/848 VDC

Wire: 14 or 16 AWG

RoHS Compliant: Yes

Mates with:
MPT

MPSS/MPT-V	
WIRE GAUGE	CURRENT RATING (PER PIN)
14 AWG	19.7 A
16 AWG	15.9 A
1 PIN POWERED	



Dual leaf blade contacts

Positive latching system



• Positive latching

(5.00 mm) .1969" pitch

Polarized Guide Posts

RECOGNITIONS

For complete scope of recognitions see www.samtec.com/quality



COMPONENTS

- For body, see www.samtec.com?IMS5
- For contacts, see www.samtec.com?CC46L and www.samtec.com?CC46R

MPSS	NO. OF POSITIONS	WIRE GAUGE	PLATING OPTION	ASSEMBLED LENGTH	END 1 OPTION	END 2 OPTION
	-02, -03, -04, -06, -08	-14 -16	-L = 10 μ" (0.25 μm) Gold on contact -T = Matte Tin	- "XX.XX" = Wire Length in Inches (83.00 mm) 03.25" min.	-SR = Single End -DR = Double End	(Available with -DR only) -NUS = Notch up, straight -NDS = Notch down, straight

NO. OF POSITIONS	A	B
-02	(30.07) 1.184	(15.27) .601
-03	(35.07) 1.381	(20.26) .798
-04	(40.08) 1.578	(25.25) .994
-06	(50.09) 1.972	(35.26) 1.388
-08	(60.10) 2.366	(45.26) 1.782

