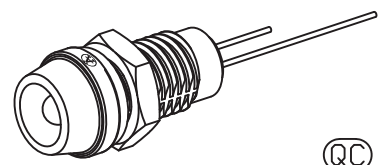
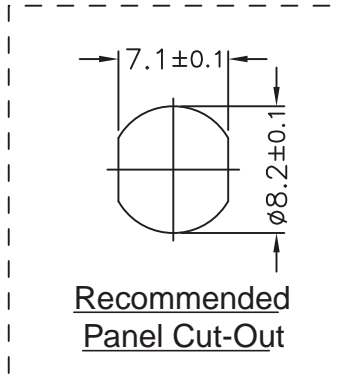


- Material:**
- Waterproof Rate: IP67
 - LED Holder: PC+ABS, Black
 - LED: \varnothing 3mm, Yellow
 - O-ring: EPDM, Black
 - Screw Nut: Nylon+GF
 - Operating voltage: 4V DC
 - Operating Temperature: -40°C~+80°C
 - For Panel Thickness 6.5mm Max.



(QC) Quality Control: Important Dimension to check

Unit: mm



Scale	Free						Date	Name	Title			
TOLERANCE							Drawn	06.03.14	Wilson	Waterproof LED Yellow color, plastic, \varnothing 3.0mm		
X.	± 0.3						Approved	06.03.14	Groll	ASSMANN WSW-No. A-LED8-1YAAS-PR7-1		
X.X	$\pm X$									Drawing-No.		
X.XX	$\pm X$									ASS 6235 CO		rev00
DIM	TOL									Replace		Sheet
X.°	$\pm X^\circ$											1/1
X.X°	$\pm X^\circ$											
Angle	TOL	Id.	Modification	Date	Name							



1840 W. Drake Drive, Suite 101 • Tempe, AZ 85283
Toll Free: 1-877-277-6266 • Email: info@assmann.us