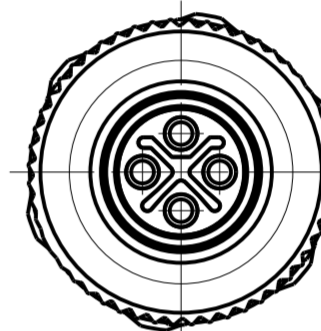
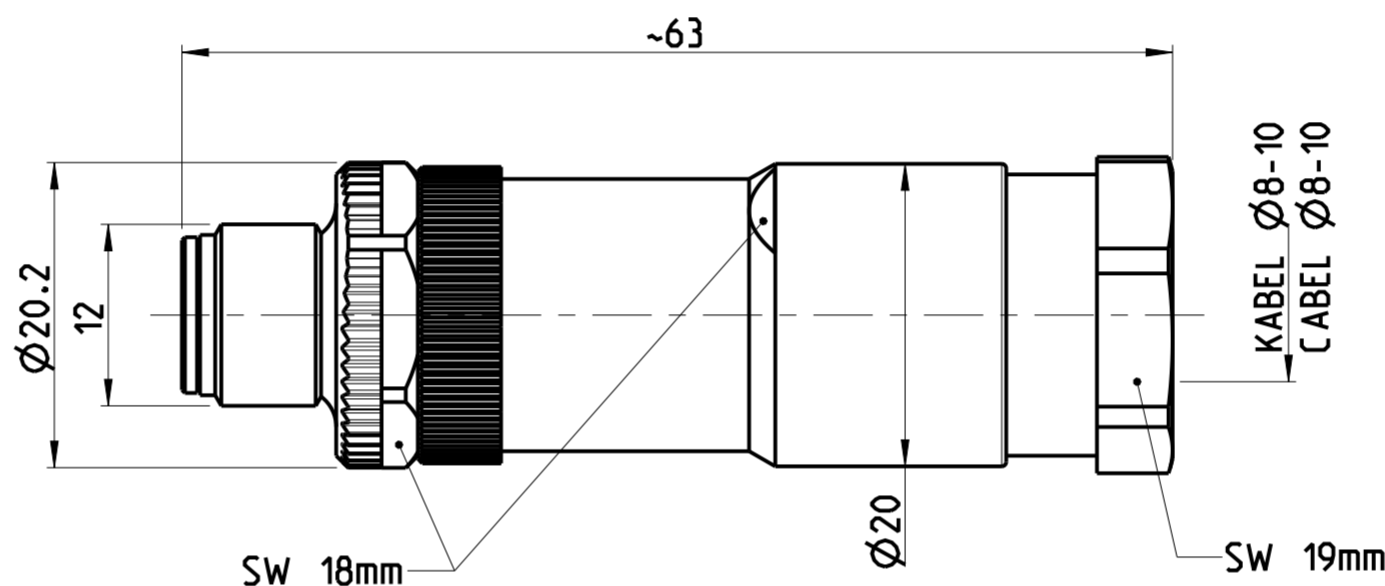
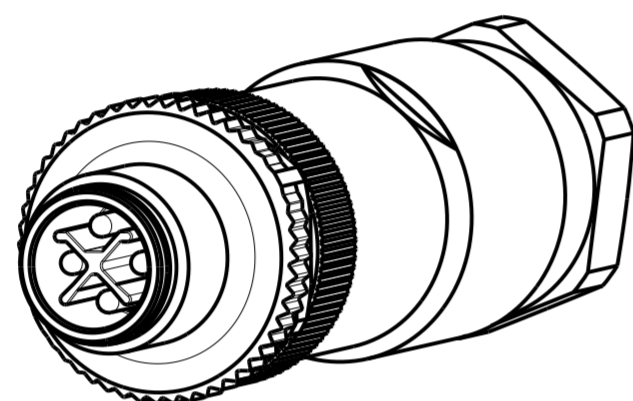


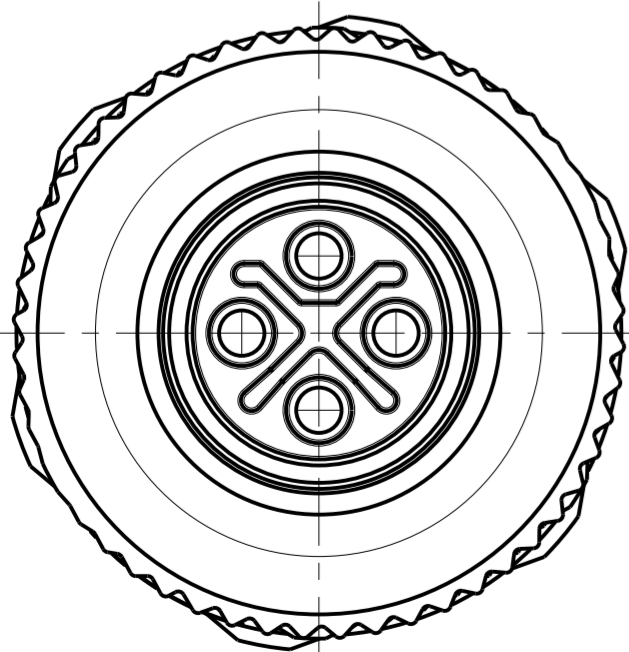
REVISIONS		DATE	DWN	APVD
ÄNDERUNGEN				
P	LTR	DESCRIPTION		
		BESCHREIBUNG		
	A1	NEW DRAWING	24 JUN2014	YR CS

- 1 MATERIAL: ITEM NO. 1: HOUSING - PA
 ITEM NO. 2: CONTACT BODY - PA
 ITEM NO. 3: CONTACT - CuZn (brass)
 CONTACT FINISH - Au (gold)
- 2 ALL DIMENSIONS ARE FOR NOMINAL REFERENCE ONLY UNLESS OTHERWISE STATED
- 3 MEASUREMENT REFERENCE ONLY
- 4 PACKAGING: 1 PIECE IN A BAG



PIN ARRANGEMENT
S-CODING (SCALE 4:1)

0-2120951-1



TECHNICAL DATA

	0-2120951-1
RATED VOLTAGE	630V
RATED IMPULSE VOLTAGE	6000V
POLLUTION DEGREE	3
OVERVOLTAGE CATEGORY	III
MATERIAL GROUP	III
RATED CURRENT	12A
VOLUME RESISTIVITY	≤ 3mΩ
DEGREE OF PROTECTION	IP67
UPPER TEMPERATURE	+85 °C
LOWER TEMPERATURE	-40 °C

8-10	16 / 1.50	⚠	4	0-2120951-1
CABLE FEED-THROUGH mm	WIRES AWG / mm ²	MATERIAL	NUMBER OF POLES	TE-PART-NO.

DIESE ZEICHNUNG IST EIN KONTROLLIERTES DOKUMENT. BEMASSUNGEN UND TOLERANZEN GEMAESS GPS (ISO STANDARDS).

THIS DRAWING IS A CONTROLLED DOCUMENT. DIMENSIONING AND TOLERANCING PER GPS (ISO STANDARDS).

DIMENSIONS: MASSE/WEITEN: (mm)	TOLERANCES UNLESS OTHERWISE SPECIFIED: ALLGEMEINTOLERANZEN	DWN YASHKUMAR 24 JUN2014
		CHK M.STRELOW 24 JUN2014
		APVD C.SCHREITLINGER 24 JUN2014
		NAME
		PRODUCT SPEC
		APPLICATION SPEC
		VERARBEITUNGSSPEZ.
MATERIAL	FINISH/OBERFLAECHE/FARBE	WEIGHT GEWICHT
-	-	-
-	-	-

Customer Drawing

STE TE Connectivity

M12 MALE CONNECTOR, STRAIGHT, FIELD INSTALLABLE, POWER, S-CODED

SIZE	CAGE CODE	DRAWING NO. ZEICHNUNGS-NR.	RESTRICTED TO MUR FUER
A2	00779	0-2120951	-
SCALE MASSSTAB		SHEET BLATT	OF VON
2:1		1	1
REV		A1	

SIZE ISO 14405 (E)