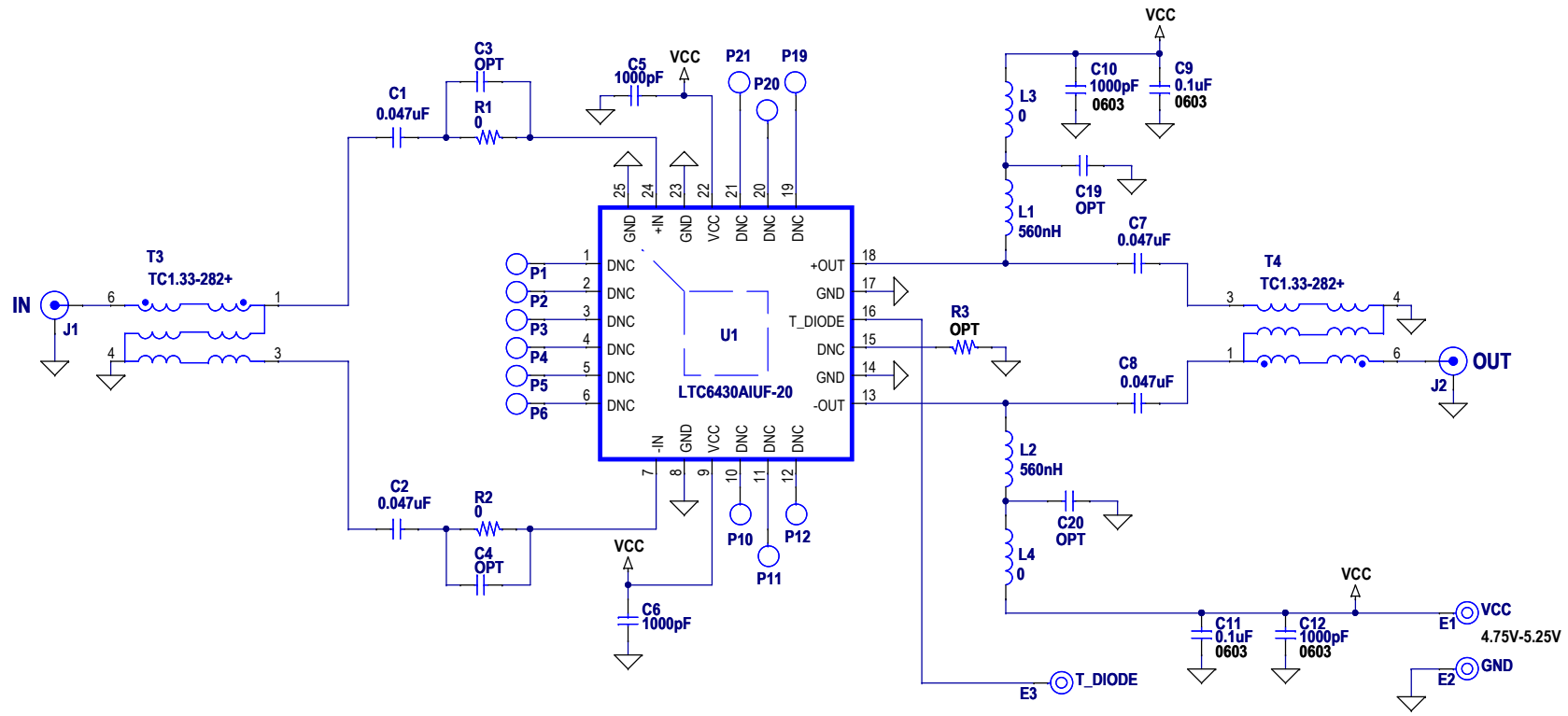


REVISION HISTORY				
ECO	REV	DESCRIPTION	APPROVED	DATE
—	1	1 ST PROTO	JOHN C.	07-09-14
—	1	PRODUCTION	JOHN C.	08-27-14



NOTE: UNLESS OTHERWISE SPECIFIED

1. ALL RESISTORS ARE IN OHMS, 0402.
ALL CAPACITORS ARE 0402.
2. ALL DNC PINS ON U1 ARE FOR LINEAR USE ONLY

<p align="center">CUSTOMER NOTICE</p> <p>LINEAR TECHNOLOGY HAS MADE A BEST EFFORT TO DESIGN A CIRCUIT THAT MEETS CUSTOMER-SUPPLIED SPECIFICATIONS; HOWEVER, IT REMAINS THE CUSTOMER'S RESPONSIBILITY TO VERIFY PROPER AND RELIABLE OPERATION IN THE ACTUAL APPLICATION. COMPONENT SUBSTITUTION AND PRINTED CIRCUIT BOARD LAYOUT MAY SIGNIFICANTLY AFFECT CIRCUIT PERFORMANCE OR RELIABILITY. CONTACT LINEAR TECHNOLOGY APPLICATIONS ENGINEERING FOR ASSISTANCE.</p>		<p align="center">APPROVALS</p>		<p>1630 McCarthy Blvd. Milpitas, CA 95035 Phone: (408)432-1900 www.linear.com Fax: (408)434-0507 LTC Confidential-For Customer Use Only</p>
		PCB DES.	AK.	
THIS CIRCUIT IS PROPRIETARY TO LINEAR TECHNOLOGY AND SUPPLIED FOR USE WITH LINEAR TECHNOLOGY PARTS.		APP ENG.	JOHN C.	<p align="center">CATV AMPLIFIER</p>
		SIZE	IC NO.	REV.
		N/A	LTC6430AIUF-20	1
		DATE:	Wednesday, August 27, 2014	SHEET 1 OF 1
		SCALE = NONE		