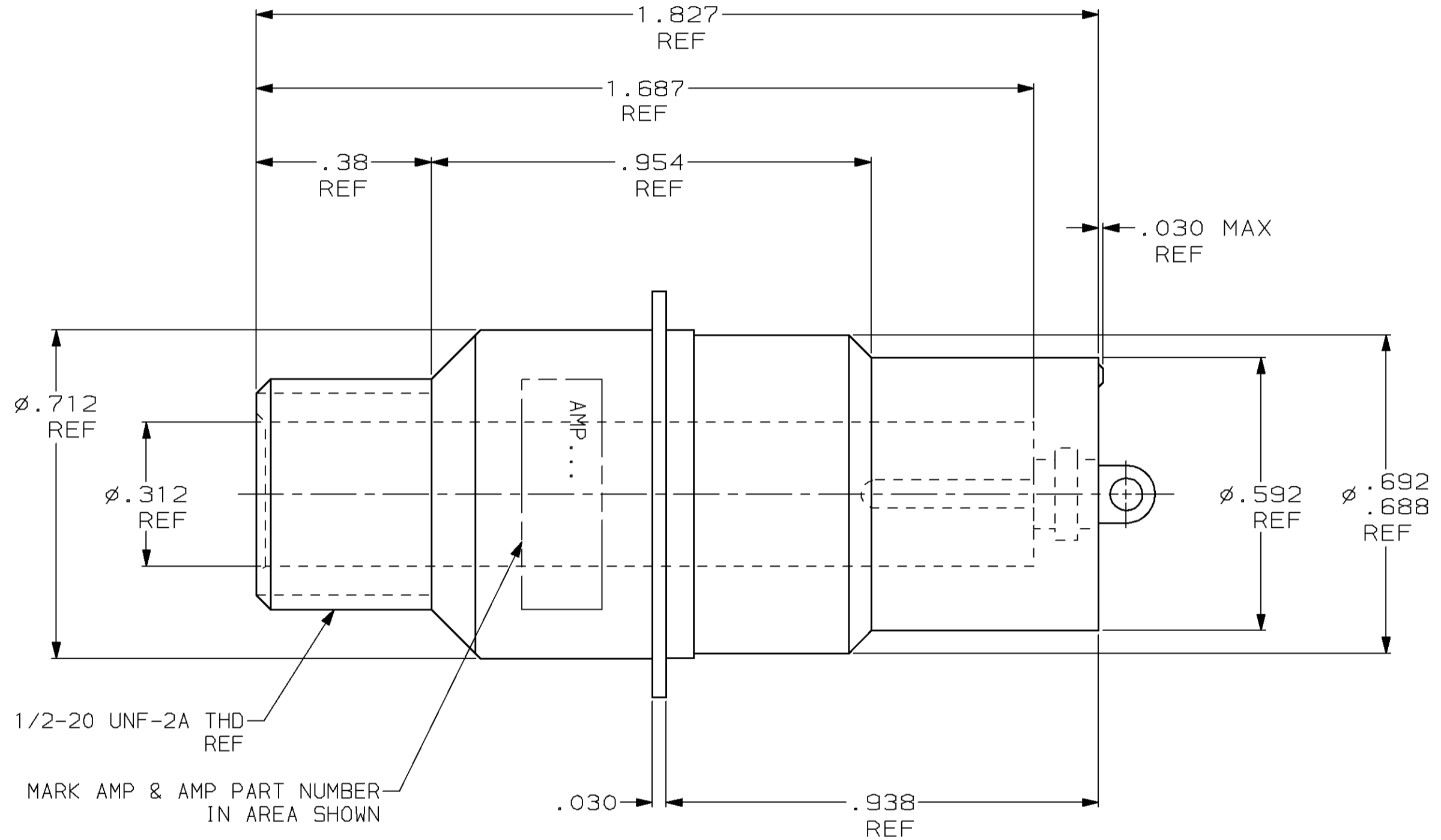
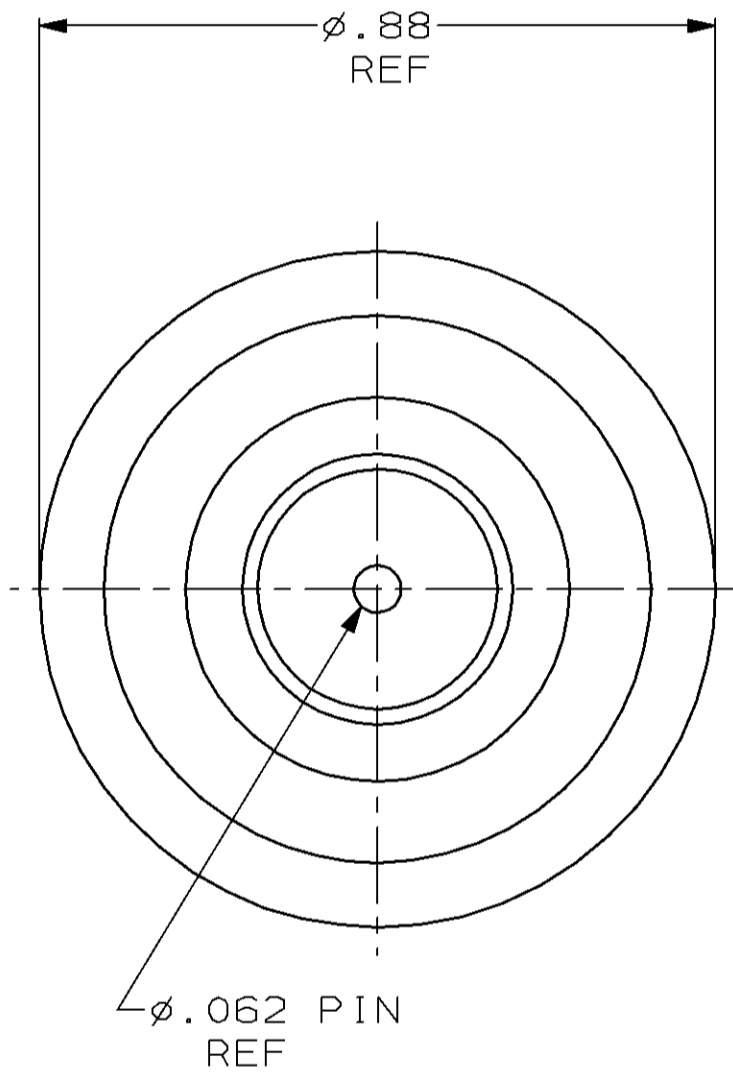


THIS DRAWING IS UNPUBLISHED. RELEASED FOR PUBLICATION
 BY AMP INCORPORATED. ALL RIGHTS RESERVED.

LOC	DIST	REVISIONS			
P	LTR	DESCRIPTION	DATE	DWN	APVD
DF	SO				
C		REV PER 0600-7334-98	070CT98	TT	DE

1. RECEPTACLE IS HERMETICALLY SEALED.



301-0002-150	867960-1
CUSTOMER PART NUMBER	PART NUMBER

THIS DRAWING IS A CONTROLLED DOCUMENT.		DWN T. THOMPSON 070CT98	AMP Incorporated Harrisburg, PA 17105-3608	
DIMENSIONS: IN		CHK S. GLATFELTER 070CT98	NAME S. GLATFELTER 070CT98	
TOLERANCES UNLESS OTHERWISE SPECIFIED:		APVD S. GLATFELTER 070CT98		
0 PLC ±-	1 PLC ±-	PRODUCT SPEC	FLANGED RECEPTACLE ASSEMBLY, LGH-1L	
2 PLC ±-	3 PLC ±-	APPLICATION SPEC	SIZE A2	CAGE CODE 00779
4 PLC ±-	ANGLES ±-	FINISH	DRAWING NO 867960	RESTRICTED TO
MATERIAL	FINISH	WEIGHT	SCALE 4:1	SHEET 1 OF 1
CUSTOMER DRAWING		REV C		

867960