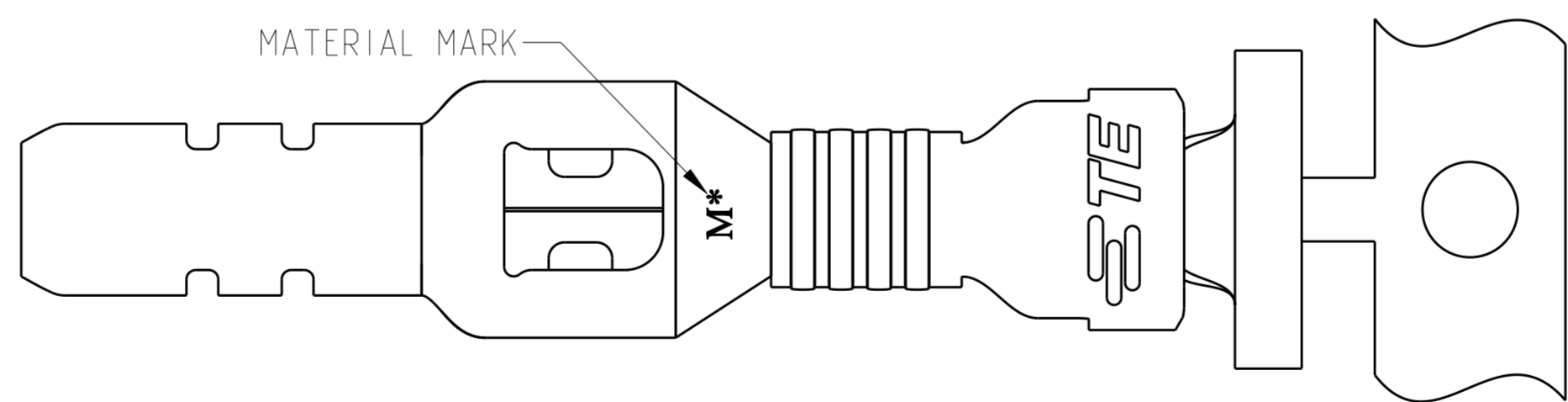
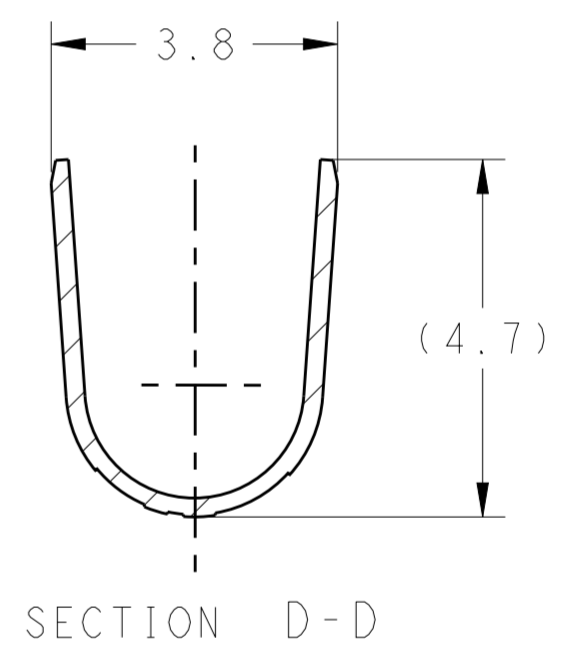
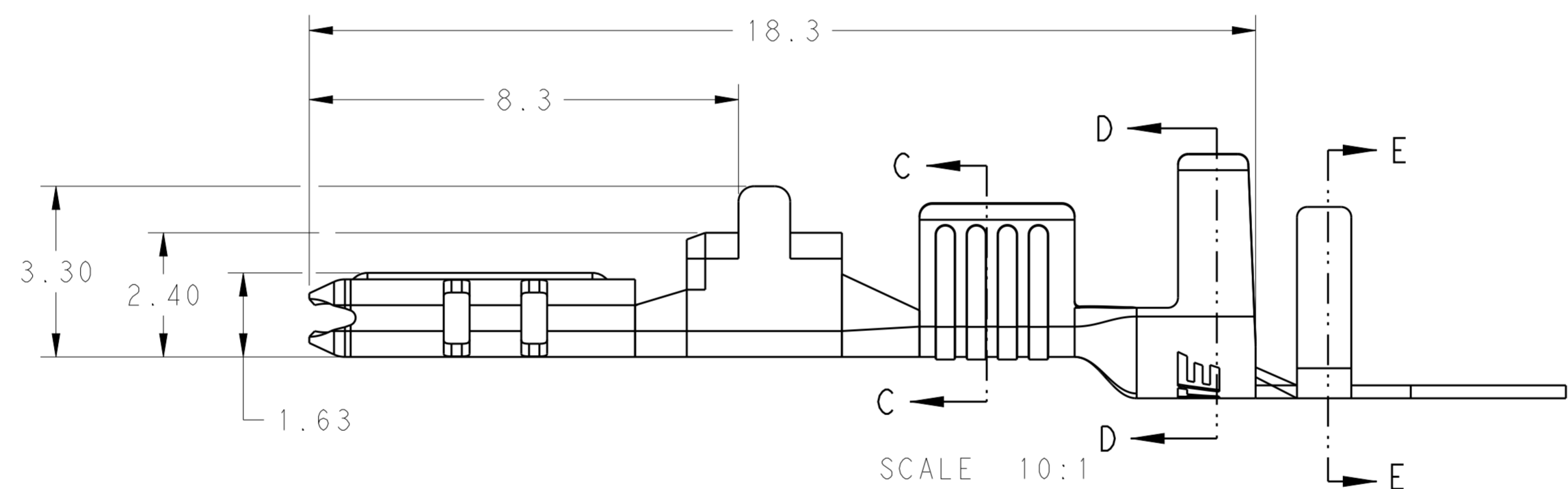
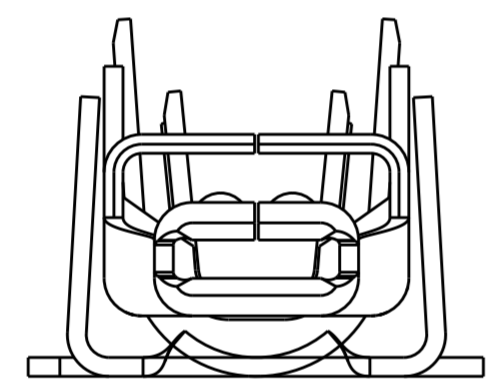
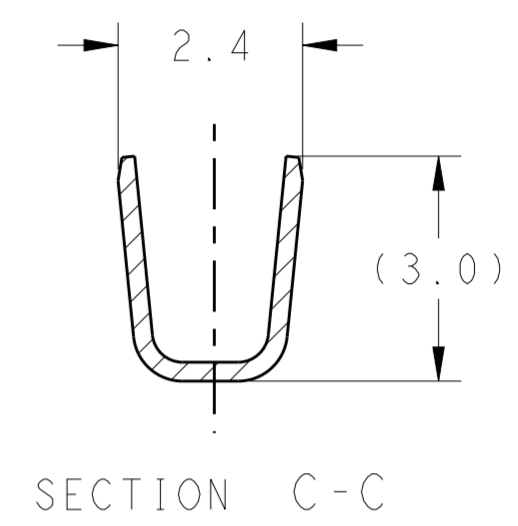
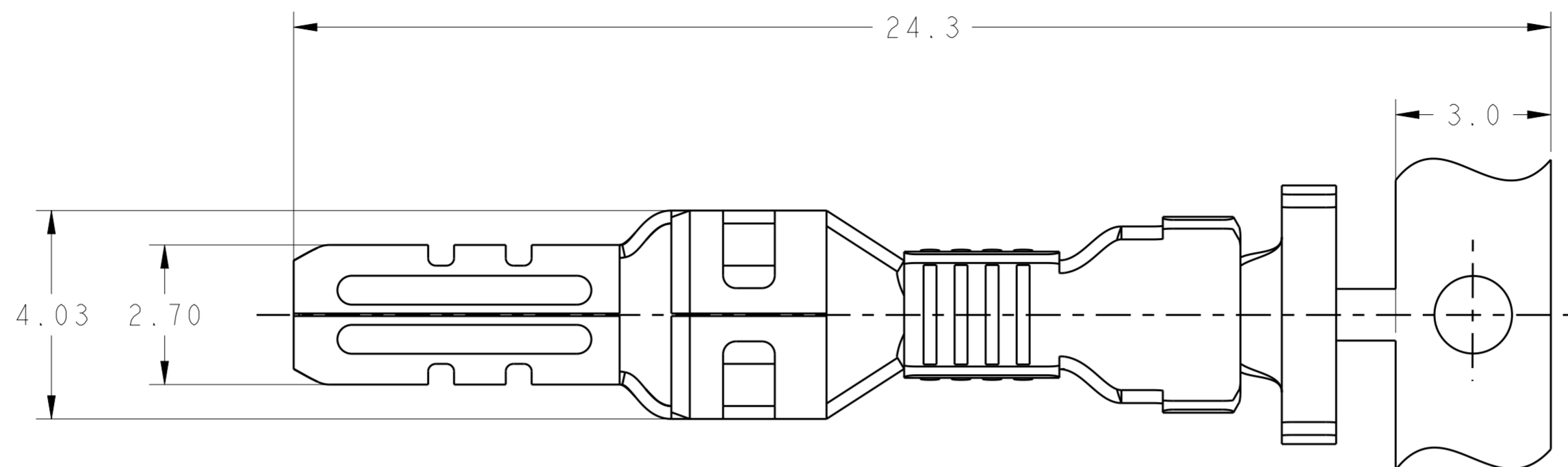
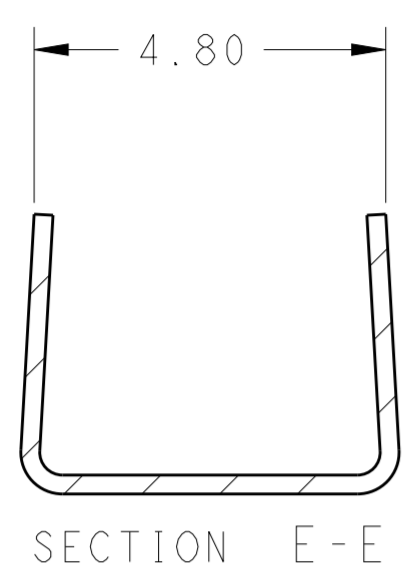


THIS DRAWING IS UNPUBLISHED. RELEASED FOR PUBLICATION 20  
 © COPYRIGHT 20 BY - ALL RIGHTS RESERVED.

LOC	DIST	REVISIONS			
P	LTR	DESCRIPTION	DATE	DWN	APVD
ES	00				
		C2 REVISED PER ECO-016321	14NOV2016	RS	GJ



- 1 APPLICABLE WIRE RANGE: 16~19AWG COPPER STRANDED OR 2x22 AWG COPPER STRANDED . FOR A #19 AWG WIRE THE RECOMMENDED MINIMUM CROSS-SECTIONAL AREA IS 0.65mm<sup>2</sup> (1300 CMA).
- 2 FOR WIRE WITH AN AREA/CMA SMALLER THAN INDICATED ABOVE, TAB 1971786-( ) IS RECOMMENDED.
- 3 APPLICABLE INSULATION DIAMETER: 2.40~3.30mm. 2.00~3.30 mm (2.0 mm MAX FOR 2x22 AWG) WHEN OVERLAP INSULATION APPLICATOR USED.
- 4 APPLICABLE MATED CAP HOUSING P/N:  
 \*-1971771-\*/\*-1971774-\*/\*-1971874-\*  
 \*-1971772-\*/\*-1971775-\*/\*-1971875-\*  
 \*-2232263-\*/\*-2232264-\*/\*-2232356-\*  
 \*-2232358-\*/\*-2232359-\*/\*-2232360-\*

COPPER ALLOY	HIGH(150°C)	M0	1971784-2
BRASS	STANDARD(105°C)	M8	1971784-1
MATERIAL	TEMP. RATING	MATERIAL MARK	PART NO

5 This product has not completed validation testing.

THIS DRAWING IS A CONTROLLED DOCUMENT.

DIMENSIONS: mm	TOLERANCES UNLESS OTHERWISE SPECIFIED:	DWN TOMMY WU 11JUL2011	TE Connectivity NAME TAB CONTACT POWER TRIPLE LOCK
	0 PLC ±	CHK HAPYE WU 11JUL2011	
	1 PLC ±0.5	APVD YUHONG MAO 11JUL2011	
	2 PLC ±0.30	PRODUCT SPEC 108-106118	
	3 PLC ±	APPLICATION SPEC 114-106118	
MATERIAL SEE TABLE	FINISH PRE-TIN	WEIGHT -	RESTRICTED TO -
CUSTOMER DRAWING			SCALE 5:1 SHEET 1 OF 1 REV C2