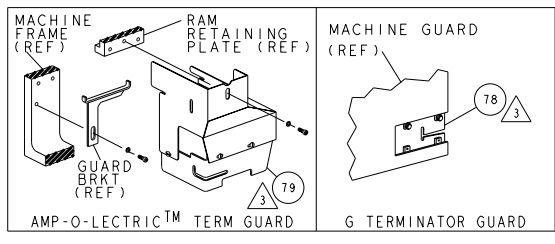


THIS DRAWING IS UNPUBLISHED. RELEASED FOR PUBLICATION.

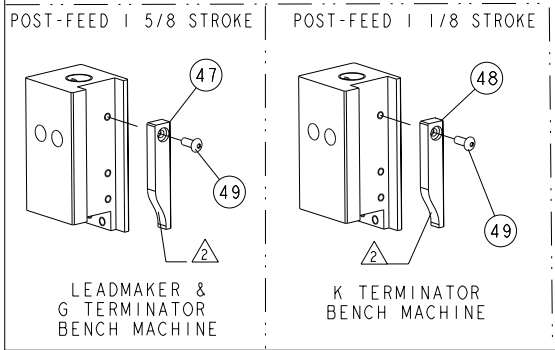
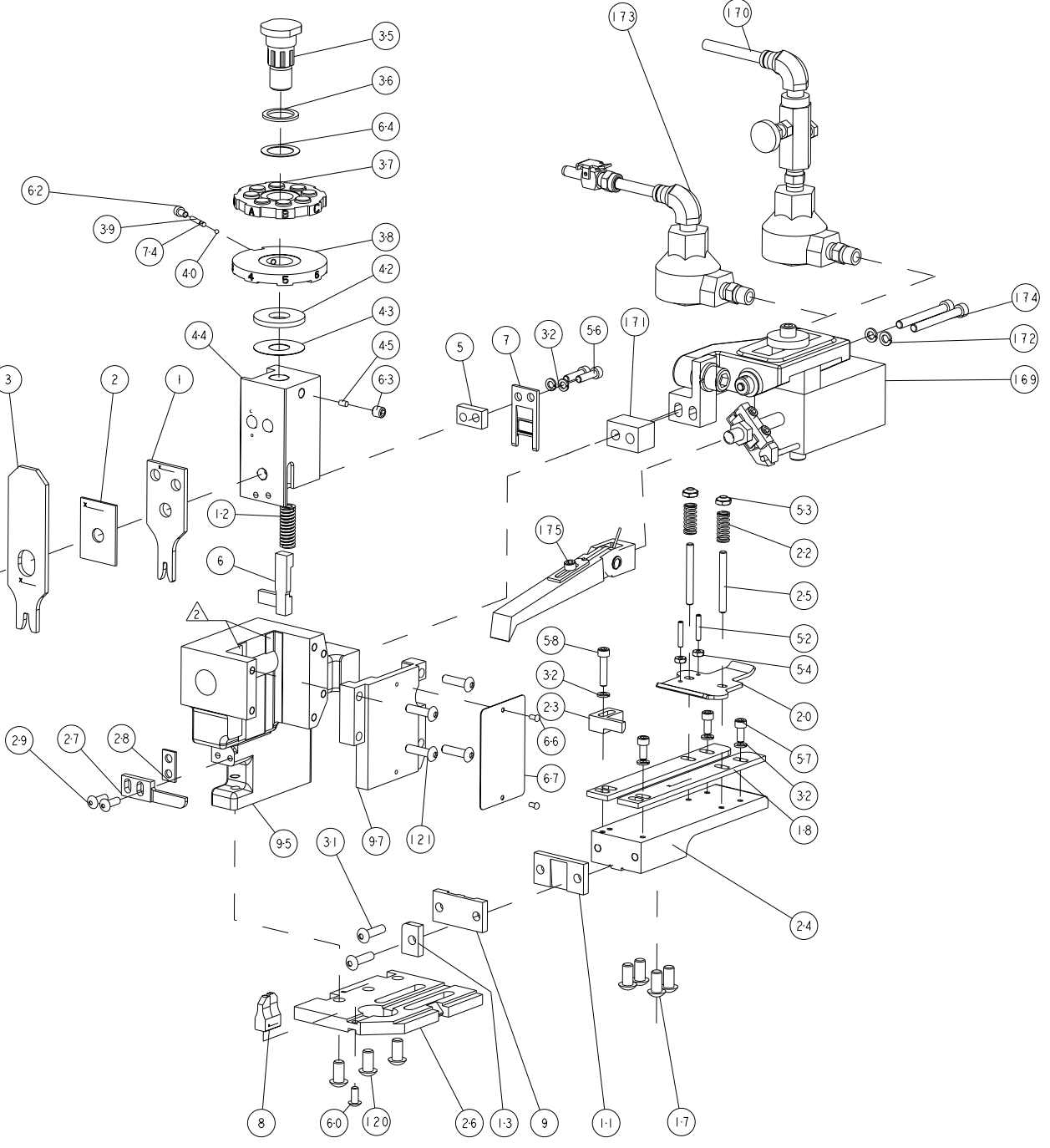
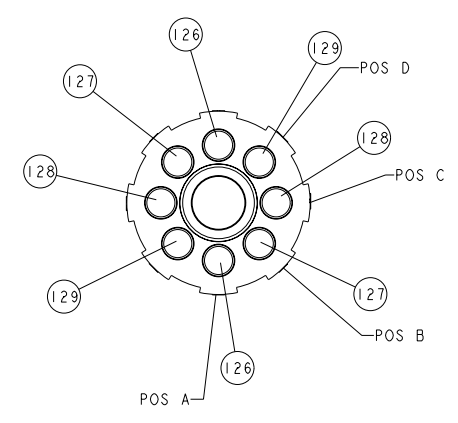
PART NUMBER	REV	FIRST USED	POWER UNIT	FEED TYPE
1852320-1	B	122500-1	LEADMAKER & BENCH MODEL G	AIR FEED
1852320-2	B	565435-5	BENCH MODEL K	AIR FEED
7-1852320-7	A	-	SPARE PARTS	-

- △ RECOMMENDED SPARE PARTS
- △ GREASE LIGHTLY
- △ GUARD MUST BE IN PLACE WHEN OPERATING APPLICATOR IN A BENCH MACHINE



TERMINAL NAME: TERMINAL		JST TERMINAL - AMP CRIMP SPECS	
TE PN	MFG PN	CRIMP HEIGHT	WIRE SIZE
1949120-1	SRSF-61-250A	A .079±.002[2.01±0.05mm]	14 AWG
1949120-2	SRSF-61INT-250A	B .069±.002[1.75±0.05mm]	16 AWG
1949120-3	SRSF-61T-250A	C .066±.002[1.68±0.05mm]	(2)20 AWG
-	-	D .063±.002[1.60±0.05mm]	18 AWG
-	-	CRIMP SIZE	TYPE RANGE
-	-	WIRE .100 [2.54mm]	F 14-18 AWG
-	-	INSUL .150 [3.81mm]	F Ø.120 MAX
WIRE STRIP LENGTH	TERM APPL SPEC	FEED	APPL INSTRUCTIONS
.172 - .187	NONE	.882	408-8039
			SET UP PAGE 458638-1

LOC		REVISONS	
A	66	DATE	BY
A	RELEASED	25AUG2006	LG TE
B	ECR-10-004877	04MAR2010	MY TE



-	1	1	-	460680-2	FEED FINGER ASSEMBLY	175
-	2	2	-	4-21000-2	SCR, SKT HD CAP 10-32 X 1.750	174
-	-	1	-	692655-7	AIR FEED VALVE ASSEMBLY	173
-	2	2	-	21024-5	WASHER, SPRG LOCK, REG NO 10	172
-	1	1	-	461690-3	SPACER, AIR FEED	171
-	1	-	-	692655-5	AIR FEED VALVE ASSEMBLY	170
-	1	1	-	460277-1	AIR FEED ASSY	169
-	2	2	-	1-354779-4	PIN, WIRE DISC, .3060	129
-	2	2	-	354779-7	PIN, WIRE DISC, .3025	128
-	2	2	-	9-354778-9	PIN, WIRE DISC, .2990	127
-	2	2	-	7-354778-8	PIN, WIRE DISC, .2885	126
-	4	4	-	2-21002-9	SCR, BTN SKT HD CAP 10-32 X .750	121
-	3	3	-	3-21002-3	SCR, BTN SKT HD CAP 1/4-20 X .500	120
-	1	1	-	454220-1	CAP, RAM	97
-	1	1	-	453736-1	HOUSING, APPLICATOR	95
-	REF	-	-	455745-1	GUARD WINDOW	79
-	REF	-	-	679532-1	INSERT, GUARD	78
-	1	1	-	690603-1	SPRING ASSIST AMP-O-MATOR APPLICATOR	74
-	1	1	-	217238-1	GENERAL INSTRUCTION PKG	72
-	1	1	-	4088039	EF APPL INST 408-8039	71
-	1	1	-	461264-1	PLATE, IDENTIFICATION	67
-	2	2	-	21017-2	SCREW, DRIVE	66
-	1	1	-	986950-1	WASHER, FLAT PRECISION	64
-	1	1	-	21009-2	SCR, SET, SELF LOCKING 1/4-20 X .250	63
-	1	1	-	23030-1	SCR, SKT HD CAP 6-32 X .25	62
-	1	1	-	22733-8	SCR, BHSC, SELF-LOCKING, 8-32 X .375	60
-	1	1	-	2-21000-9	SCR, SKT HD CAP 8-32 X .750	58
-	3	3	-	2-21000-6	SCR, SKT HD CAP 8-32 X .375	57
-	2	2	-	2-21000-8	SCR, SKT HD CAP 8-32 X .625	56
-	2	2	-	21018-4	NUT, HEX, REG 4-40	54
-	2	2	-	21022-2	NUT, LOCK, HEX, TORQUE, 8-32	53
-	2	2	-	2-21006-6	SCR, SET, CUP POINT 4-40 X .625	52
-	1	1	-	1-21002-7	SCR, BTN SKT CAP 6-32 X .375	49
-	1	-	-	690501-3	CAM, POST FEED, 1 1/8	48
-	-	1	-	690501-4	CAM, POST-FEED 1 5/8	47
-	1	1	-	690191-1	PLUG, NYLON	45
-	1	1	-	455674-1	RAM	44
-	1	1	-	690125-1	SHIM SUB-ASSY	43
-	1	1	-	690124-1	WASHER, RAM (.115)	42
-	1	1	-	7-21002-9	SCR, BTN SKT HD CAP 5/16-24 X 1.00	41
-	1	1	-	23241-6	BALL, STEEL	40
-	1	1	-	690170-1	SPRING, COMPRESSION	39
-	1	1	-	690142-1	DISC, INSULATION	38
-	1	1	-	354777-1	WIRE DISC, ASSEMBLY	37
-	1	1	-	22480-5	SPRING, COMPRESSION	36
-	1	1	-	690212-1	POST, RAM	35
-	6	6	-	21024-4	WASHER, SPRG LOCK, REG NO 8	32
-	2	2	-	2-21002-9	SCR, BTN SKT HD CAP 10-32 X .750	31
-	2	2	-	2-21002-2	SCR, BTN SKT HD CAP 8-32 X .500	29
-	1	1	-	1-690451-4	SPACER, STRIPPER	28
-	1	1	-	240639-1	STRIPPER (MACHINING)	27
-	1	1	-	455676-1	PLATE, BASE	26
-	2	2	-	22354-8	STUD, THREADED	25
-	1	1	-	455678-1	PLATE, STRIP GUIDE	24
-	1	1	-	240825-1	PLATE, STRIP HOLD DOWN	23
-	2	2	-	4-22281-1	SPRING, DRAG	22
-	1	1	-	454177-1	DRAG	20
-	2	2	-	454204-4	GUIDE, LOWER STRIP	18
-	4	4	-	3-21002-3	SCR, BTN SKT HD CAP 1/4-20 X .500	17
-	1	1	-	690481-2	SPACER, HOLD DOWN	13
-	1	1	-	23846-1	SPRING, DIE	12
-	1	1	-	240644-1	PLATE, REAR SHEAR	11
-	1	1	-	690482-6	PLATE, FRONT SHEAR	9
-	1	1	-	1633248-8	ANVIL, COMBINATION	8
-	1	1	-	690474-6	BLADE, SLUG	7
-	1	1	-	2-455892-1	HOLD DOWN, TERMINAL	6
-	1	1	-	1-240641-4	SPACER	5
-	1	1	-	238009-1	BLOCK, FL CRIMPER SPACER	4
-	1	1	-	1213077-5	CRIMPER, INSULATION PREMIUM	3
-	1	1	-	1-455888-3	SPACER, CRIMPER	2
-	1	1	-	456407-8	CRIMPER, WIRE PREMIUM	1

DIMENSIONS:		TOLERANCES UNLESS OTHERWISE SPECIFIED:		MATERIAL:		FINISH:	
INCHES	0 PLC #0.1	1 PLC #0.01	2 PLC #0.01	3 PLC #0.001	4 PLC #0.0001	ANGLES	±
DRAWN: L. GROSS		DATE: 09AUG2006		DWG NO: 1852320		SCALE: 3:5	
CHKD: ELBIN		DATE: 09AUG2006		NAME: T. BENCHOFF		RESTRICTED TO:	
APPR: T. BENCHOFF		DATE: 09AUG2006		PRODUCT SPEC: END FEED HDM APPLICATOR		SHEET 1 OF 1	
APPLICATION SPEC:		WEIGHT:		CUSTOMER ACCESSIBLE PRODUCTION DRAWING		REV B	