

## SUMMARY



Image is for illustrative purpose only

### # Wires

Low	10
High	0
Coax	0
Triax	0
Quad	0
Fiber	0
Fluidic	0

### Download

[Request a quote](#)

[Catalog](#)

Series	3P
Termination type	Female solder
IP rating	61
Cable Ø	0.00 - 0.00 mm
Matching parts	FGG.3P.310.NLWD75V
Status	
Alternative part	

## TECHNICAL DETAILS

### Mechanics

Shell Style/Model	EG*: Fixed receptacle, nut fixing with key
Keying	User configurable, 1 of 11 key positions. Plug: male contacts; Receptacle: female contacts
Housing Material	PSU (Polysulfone), black
Cable Fixing	∅ 0 - 0 mm
Variant	

### Performance

Configuration	3P.310 : 10 Low Voltage plus 1 Ground
Insulator	
Rated Current	5 Amps

### Specifications

Contact Type: Special

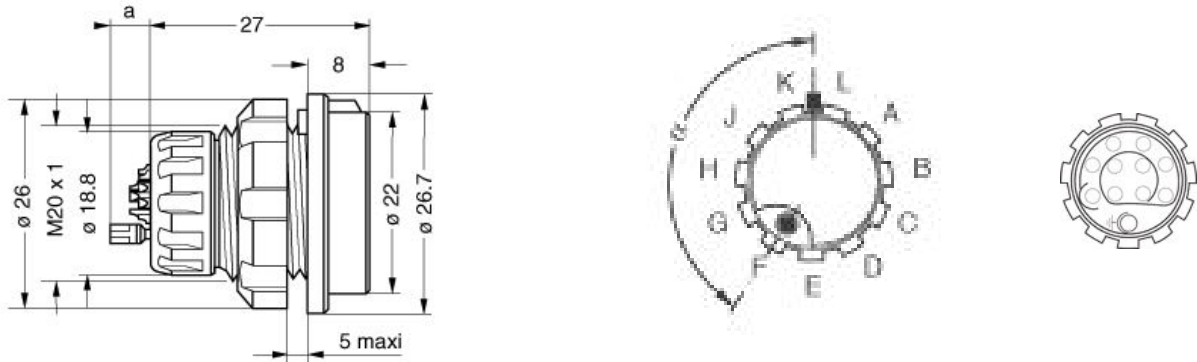
### Others

F ret (min): 100 N  
F ret (max): 200 N

Steam sterilization: 20 times  
IP Rating: 61

## DRAWINGS

### Draws



### Dimensions

	A	L
mm.	26.7	31.7
in.	1,05	1,25

## RECOMMENDED BY LEMO

### Tools

None

### Cables

CMN.10.T22.068QGC			
-------------------	--	--	--