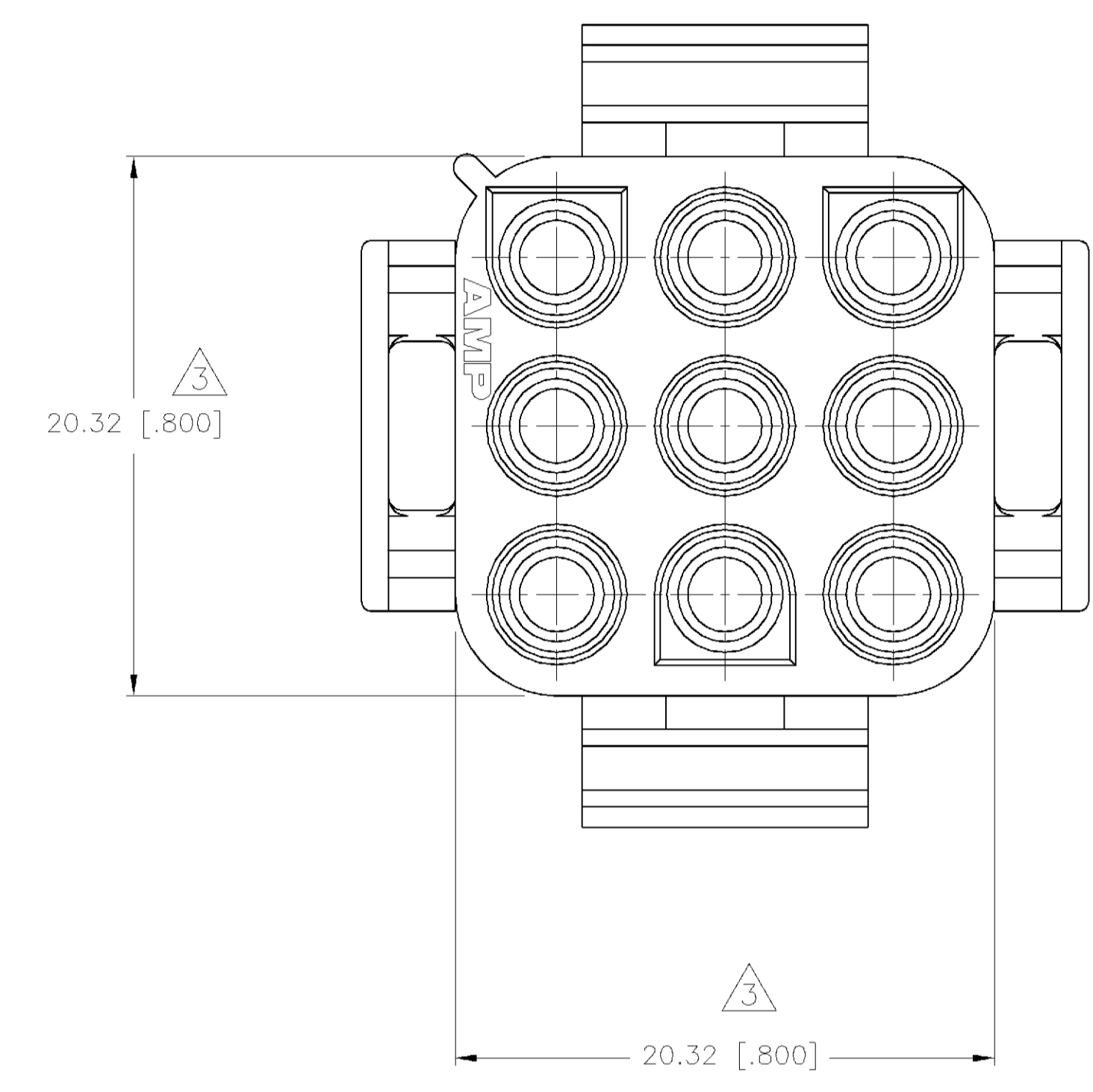
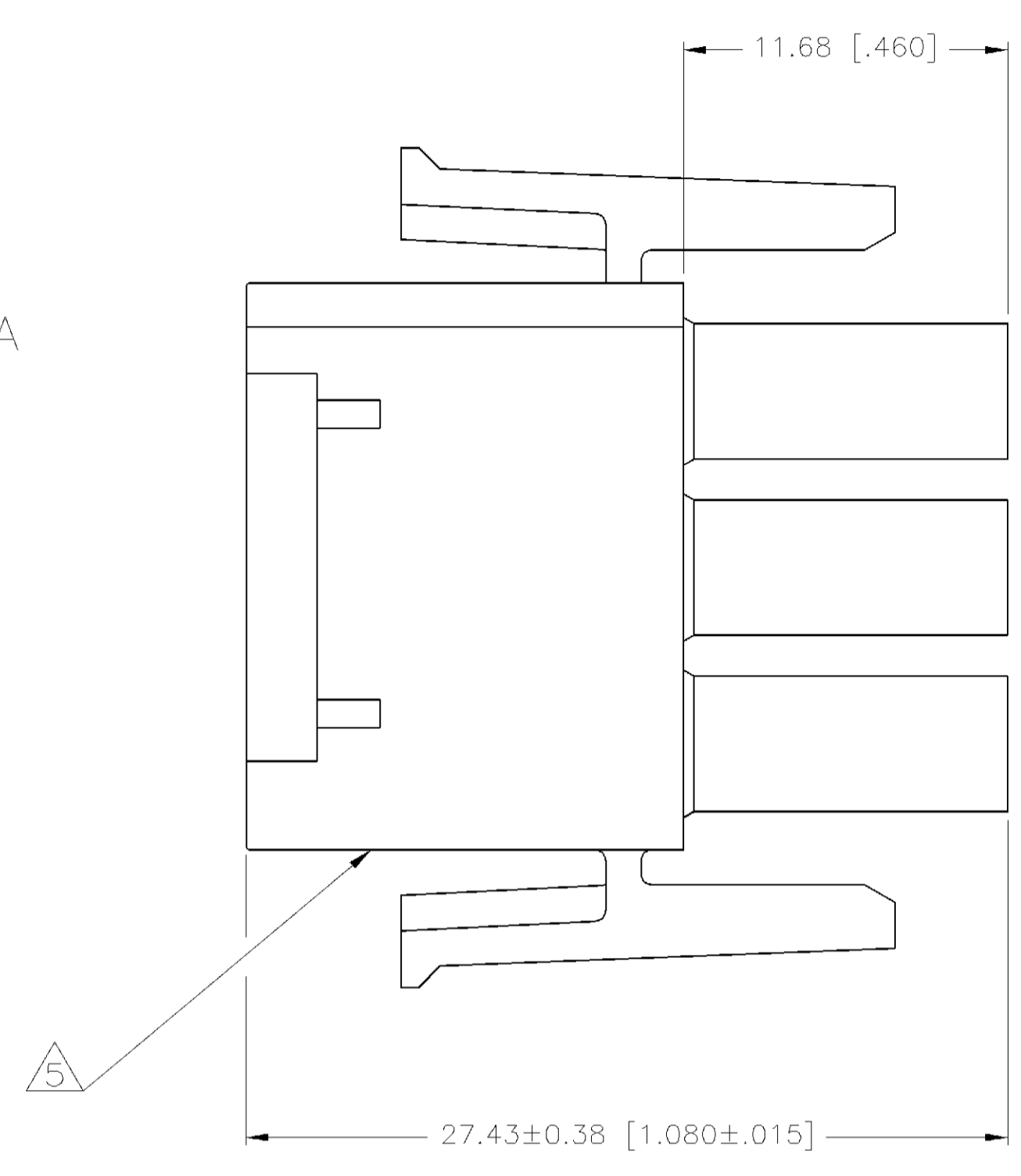
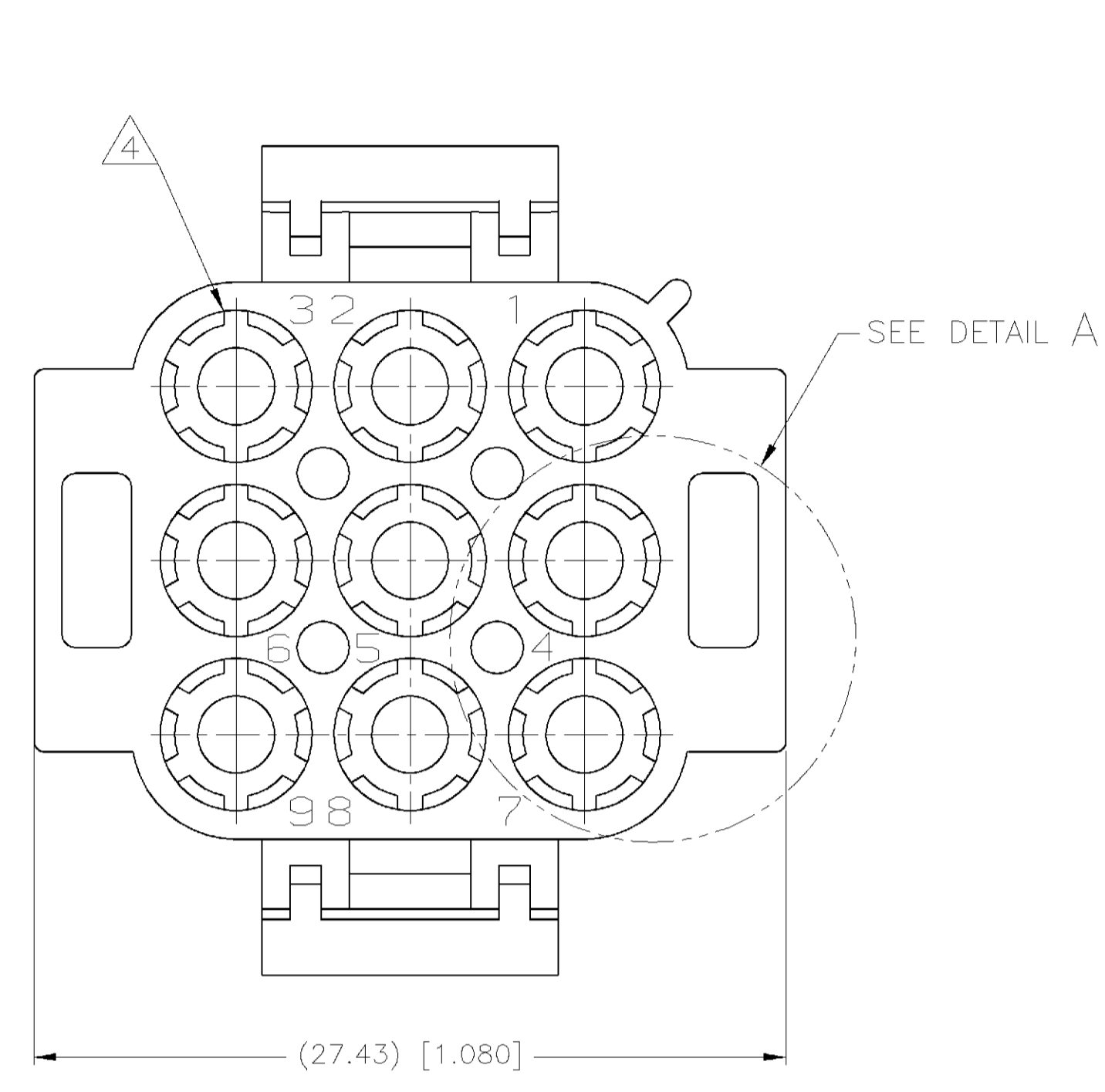
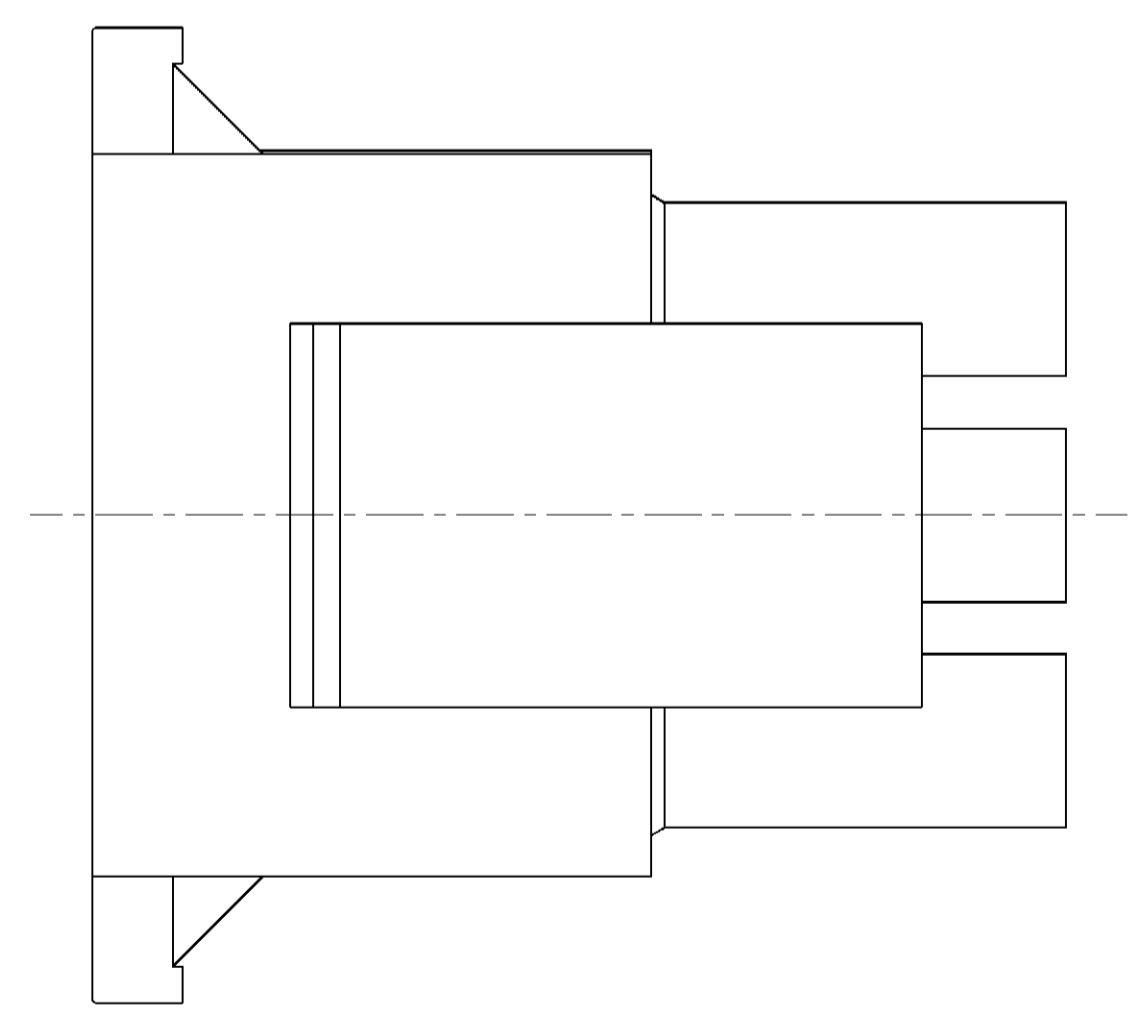
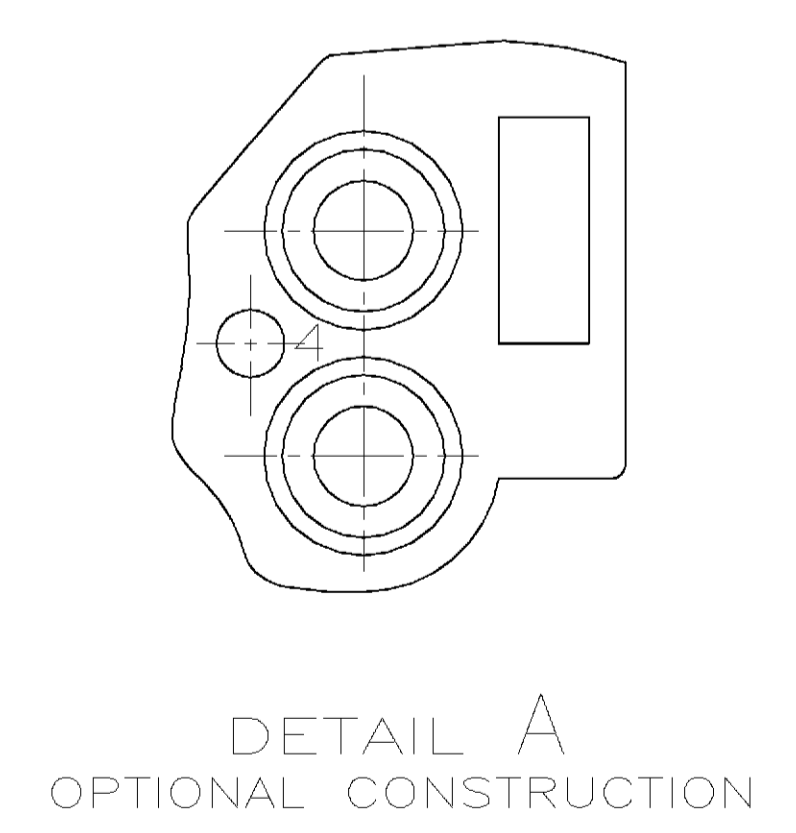


LOC		DIST		REVISONS			
P	LTR	DESCRIPTION	DATE	OWN	APVD		
C		REVISED PER 063B-0593-01	04-MAY-01	SH	SR		



- MATES WITH APPROPRIATE UNIVERSAL MATE-N-LOK™ CAP OR HEADER.
 - SMALL NICKS ARE PERMITTED ON THE CIRCUIT TOWERS WHICH COULD INCREASE THE INITIAL HOUSING MATING FORCE BY UP TO 4.45 NEWTONS [1.0] LBS. NO INDIVIDUAL NICKED TOWER SHALL INCREASE THIS FORCE BY OVER 2.22 NEWTONS [.5] LBS.
- 3 DIMENSION INDICATED IS AS MOLDED, ADDITIONAL GROWTH DUE TO SUBSEQUENT MOISTURE ABSORPTION MAY OCCUR.
- 4 SIX RIBS EQUALLY SPACED, NO SPECIFIC ORIENTATION.
- 5 UNDERWRITERS RECOGNIZED COMPONENT LOGO AND CSA CERTIFICATION LOGO TO BE LOCATED ONCE EACH ON SIDE OF HOUSING.
- 6 MATERIAL: NYLON, UL 94-V0, BLACK.



794372-1
PART NUMBER

METRIC

THIS DRAWING IS A CONTROLLED DOCUMENT.		DWN: S. HAMM 04-MAY-2001 CHK: S. RIDGILL 04-MAY-2001 APVD: S. RIDGILL 04-MAY-2001	tyco Electronics Tyco Electronics Corporation Harrisburg, PA 17105-3608
DIMENSIONS: MM [INCHES]	TOLERANCES UNLESS OTHERWISE SPECIFIED: 0 PLC ± - 1 PLC ± - 2 PLC ± - 3 PLC ± 0.13 [.005] 4 PLC ± - ANGLES ± 0° 30'	NAME: PLUG, 9 CIRCUIT, UNIVERSAL MATE-LOK™ APPLICATION SPEC:	SIZE: A1 CAGE CODE: 00779 DRAWING NO: 794372 RESTRICTED TO: -
MATERIAL: 6	FINISH:	WEIGHT:	SCALE: 4:1 SHEET 1 OF 1 REV C