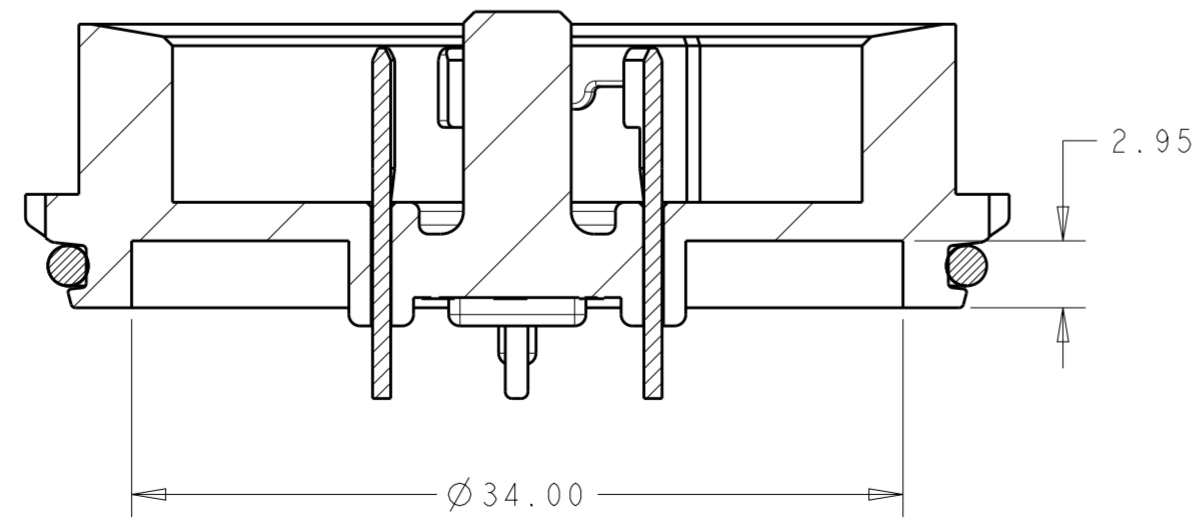
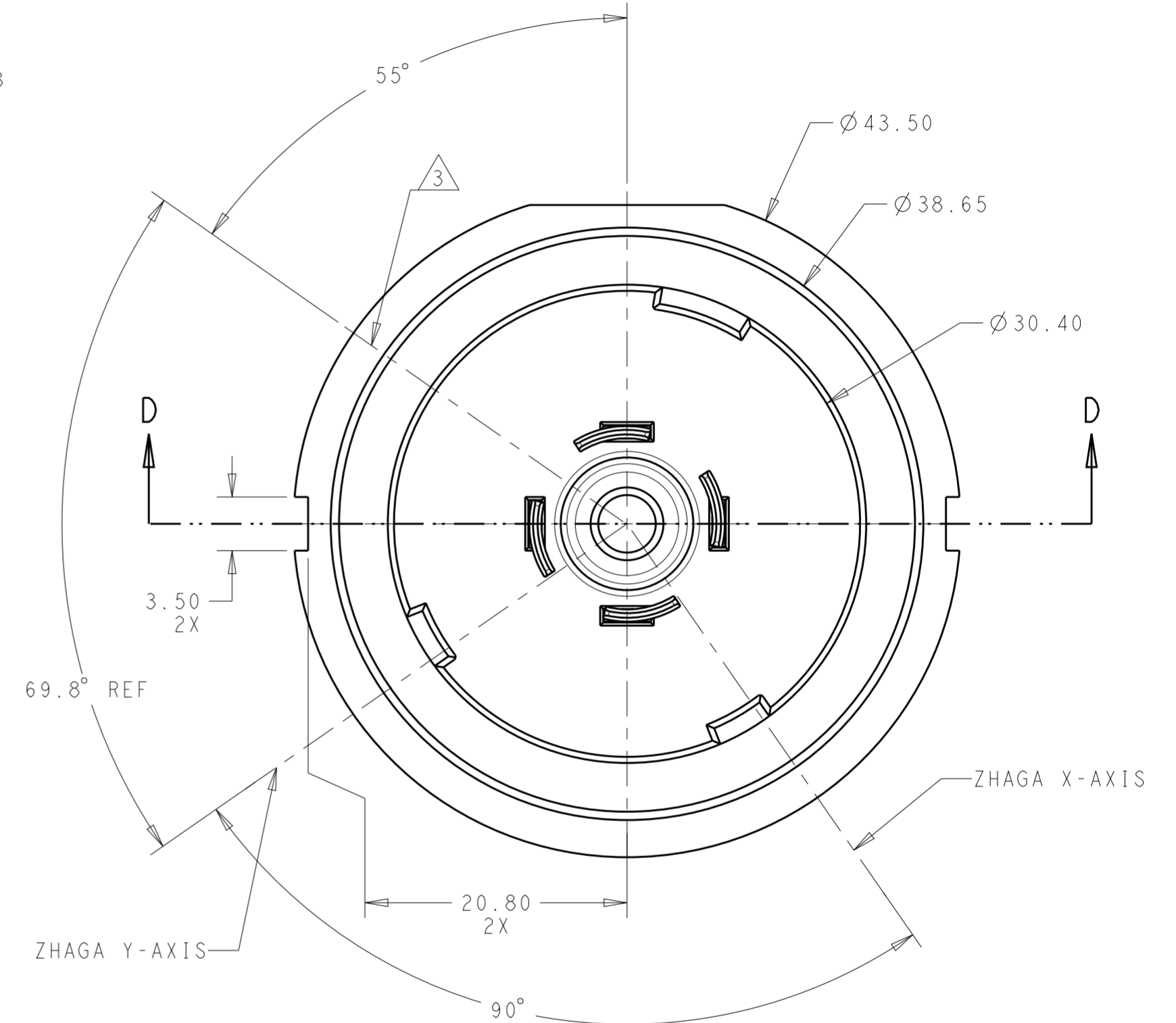
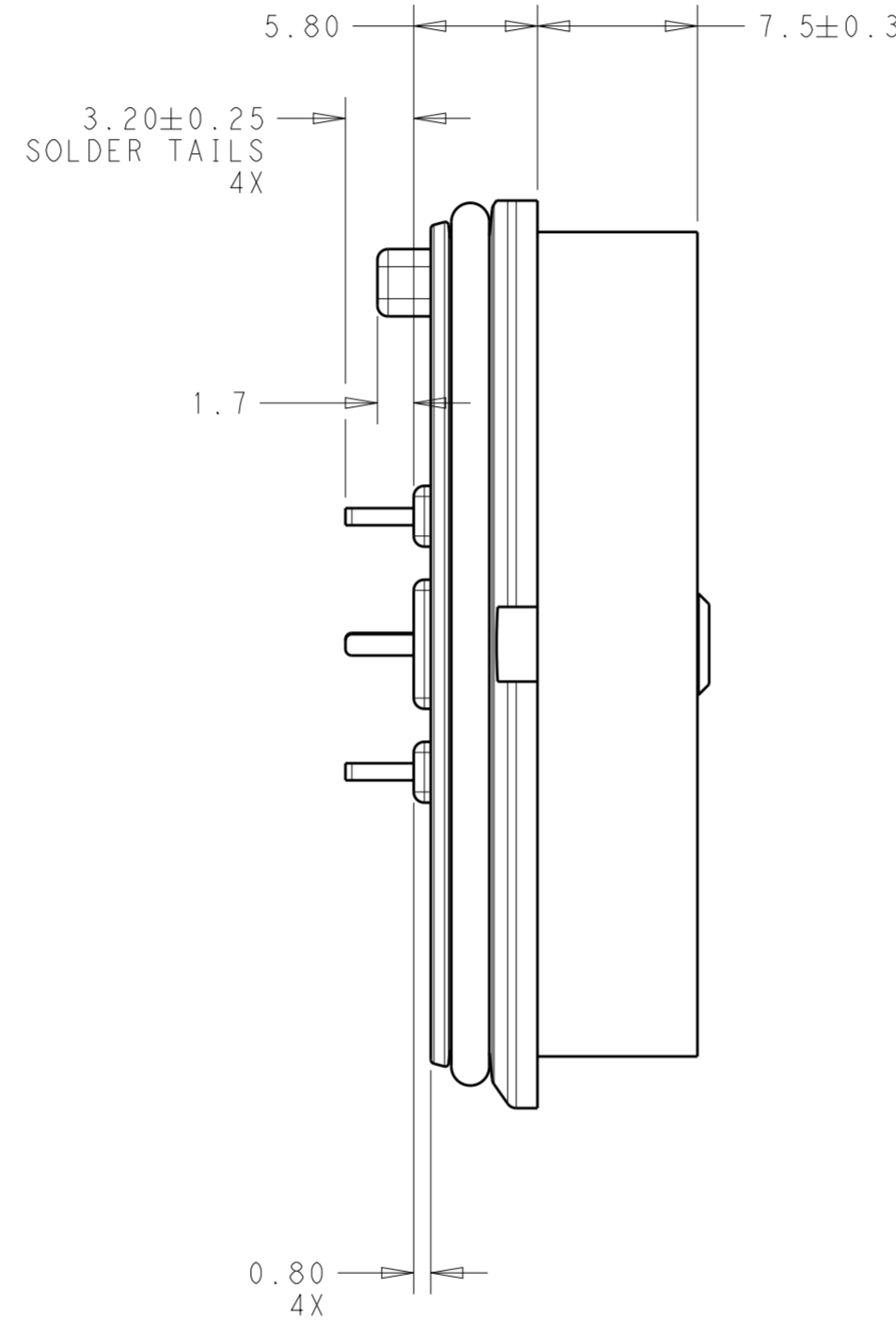
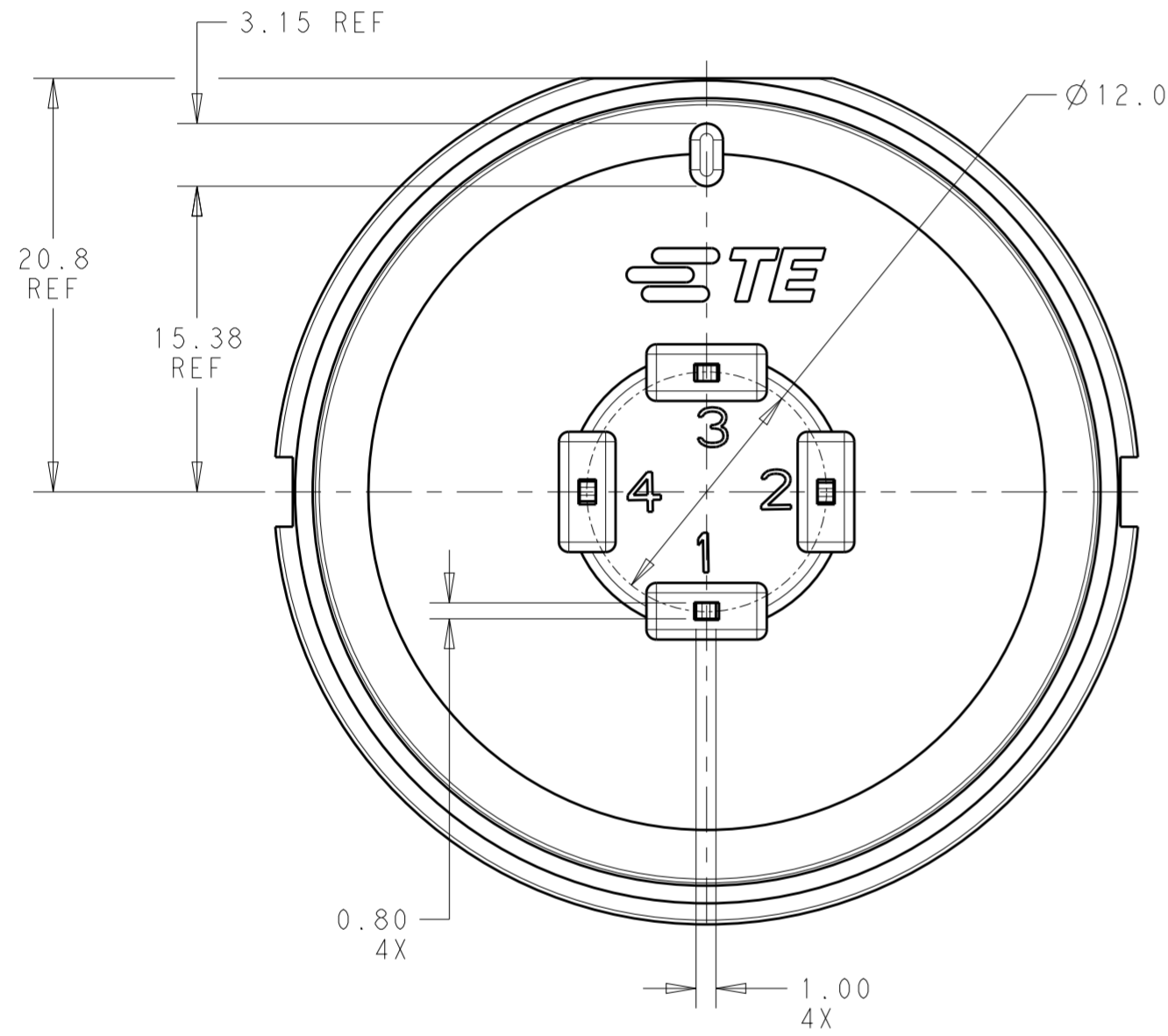


THIS DRAWING IS UNPUBLISHED. RELEASED FOR PUBLICATION 20
 © COPYRIGHT 20 BY - ALL RIGHTS RESERVED.

REVISIONS				
P	LTR	DESCRIPTION	DATE	APVD
7		REMOVE PRELIM NOTE	10AUG2017	MM MM
8		ADD DIMENSIONS	03JUL2018	JS EH

NOTES:

- 1 MATERIALS AND FINISH:
 -MODULE HOUSING: PBT, COLOR: GREY
 -CONTACTS: BRASS, FINISH: Sn OVER Ni
 -O-RING: SILICON RUBBER, COLOR: BLACK
- 2. MUST COMPLY WITH DIRECTIVE 2002/95/EC (ROHS)
- 3 LOCATION OF FLAT ON RECEPTACLE (TE P/N 2213858-1)
 THREAD SECTION IN FULL MATED POSITION
- 4. COMPATIBLE DOME IS 2329013-X.



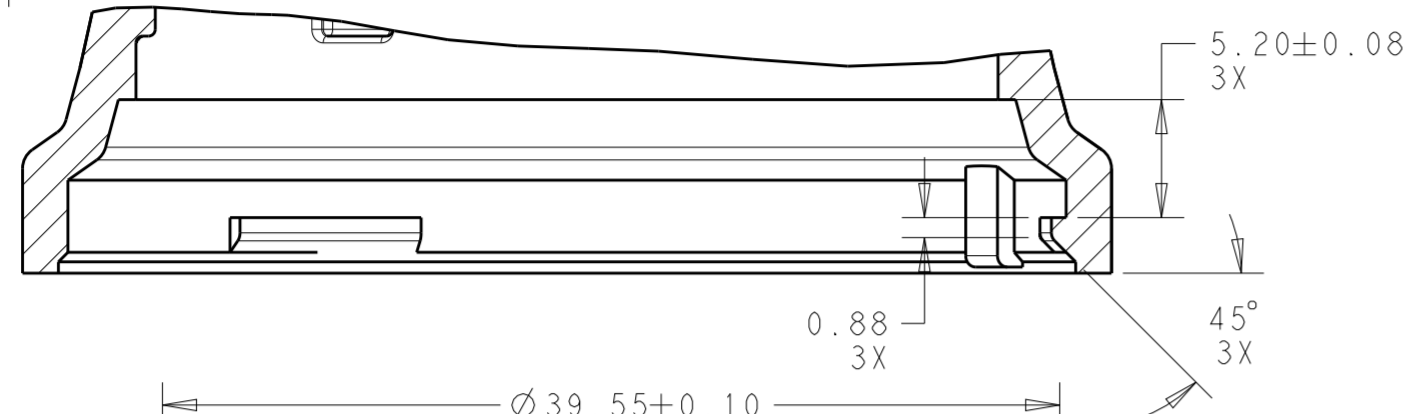
STANDARD	2213837-1
DESCRIPTION	PART NO.

THIS DRAWING IS A CONTROLLED DOCUMENT.		DWN C_DAILY 18MAY2016	STE TE Connectivity	
		CHK M_MOSTOLLER 18MAY2016		
DIMENSIONS:	TOLERANCES UNLESS OTHERWISE SPECIFIED:	APVD -	NAME	MODULE BASE ASSEMBLY, LUMAWISE ENDURANCE S 40mm DIAMETER
mm	0 PLC ±	PRODUCT SPEC	SIZE	A2
	1 PLC ±0.2	108-133073	CAGE CODE	-
	2 PLC ±0.15	APPLICATION SPEC	DRAWING NO	G-2213837
	3 PLC ±0	114-133074	RESTRICTED TO	-
	4 PLC ±0	WEIGHT	SCALE	3:1
	ANGLES ±1°	CUSTOMER DRAWING	SHEET	1 OF 2
MATERIAL	FINISH		REV	8
SEE NOTES	-			

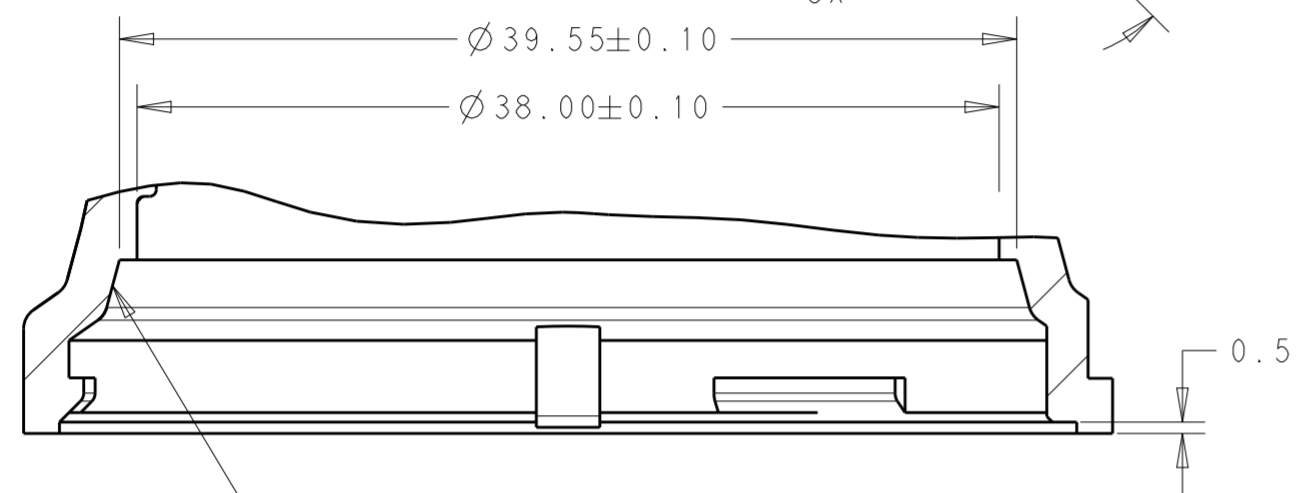
THIS DRAWING IS UNPUBLISHED. RELEASED FOR PUBLICATION 20
 © COPYRIGHT 20 BY - ALL RIGHTS RESERVED.

REVISIONS				
P	LTR	DESCRIPTION	DATE	APVD
-	-	SEE SHEET 1	-	-

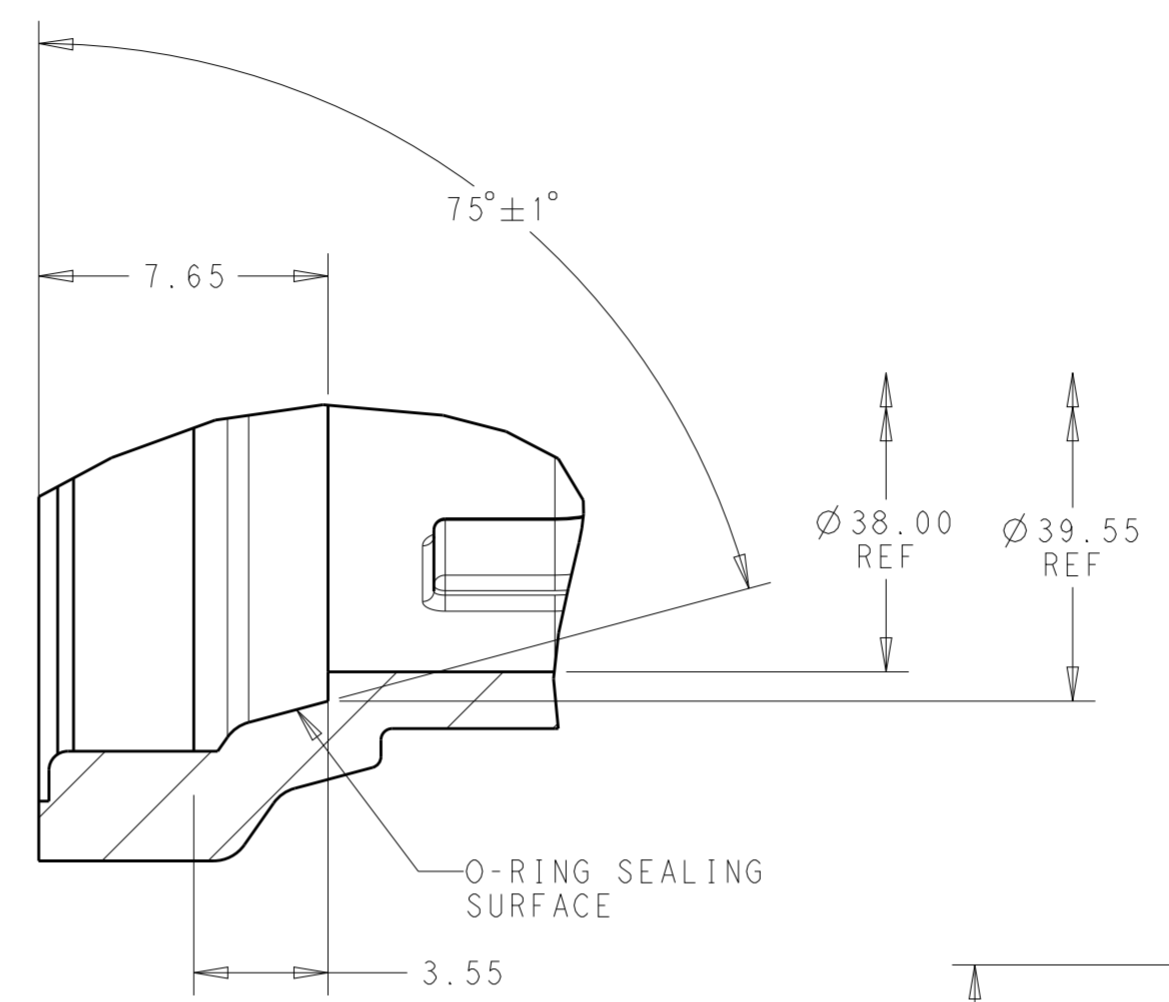
LATCH DETAIL
SECTION B-B
SCALE 3:1



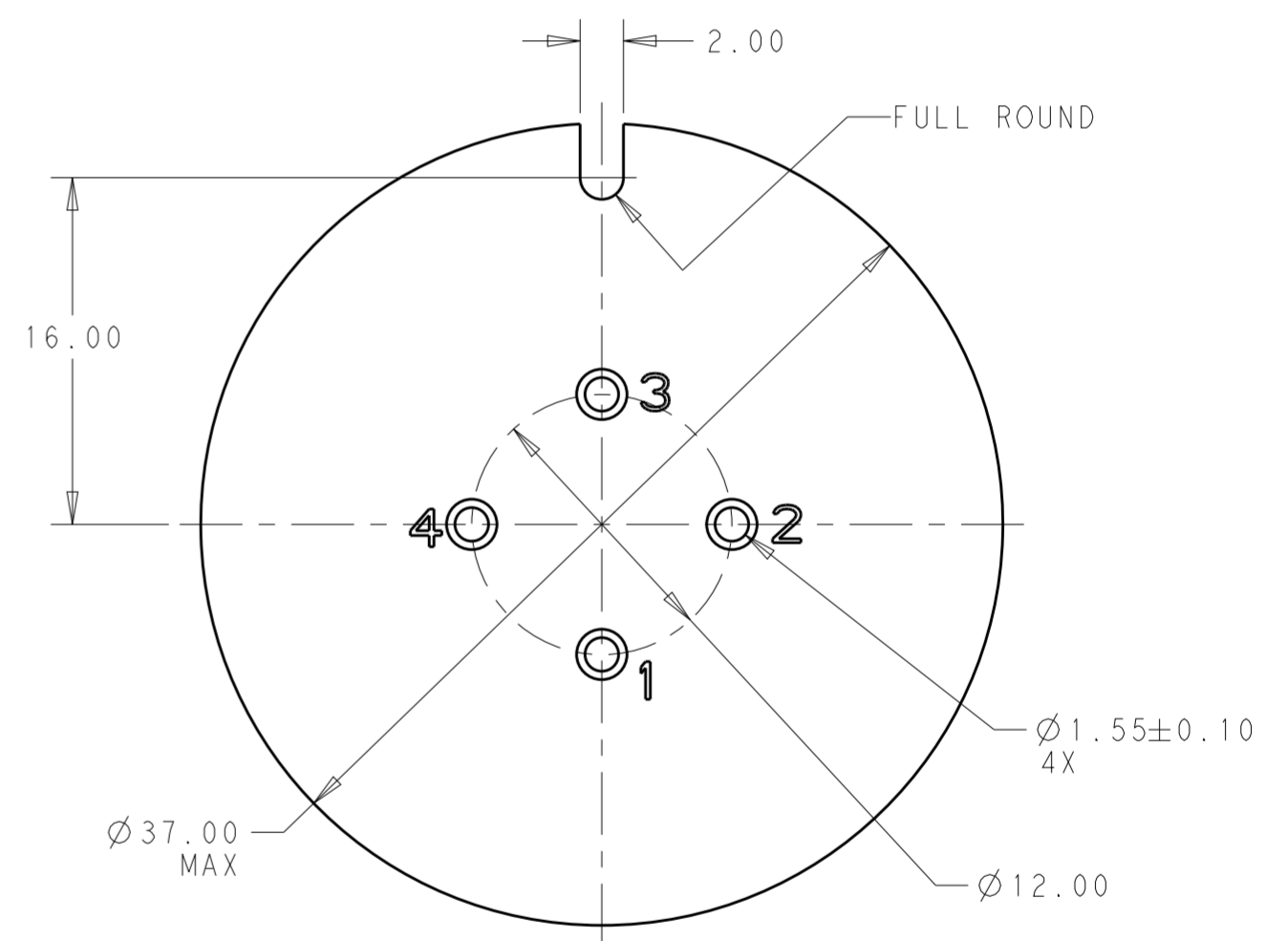
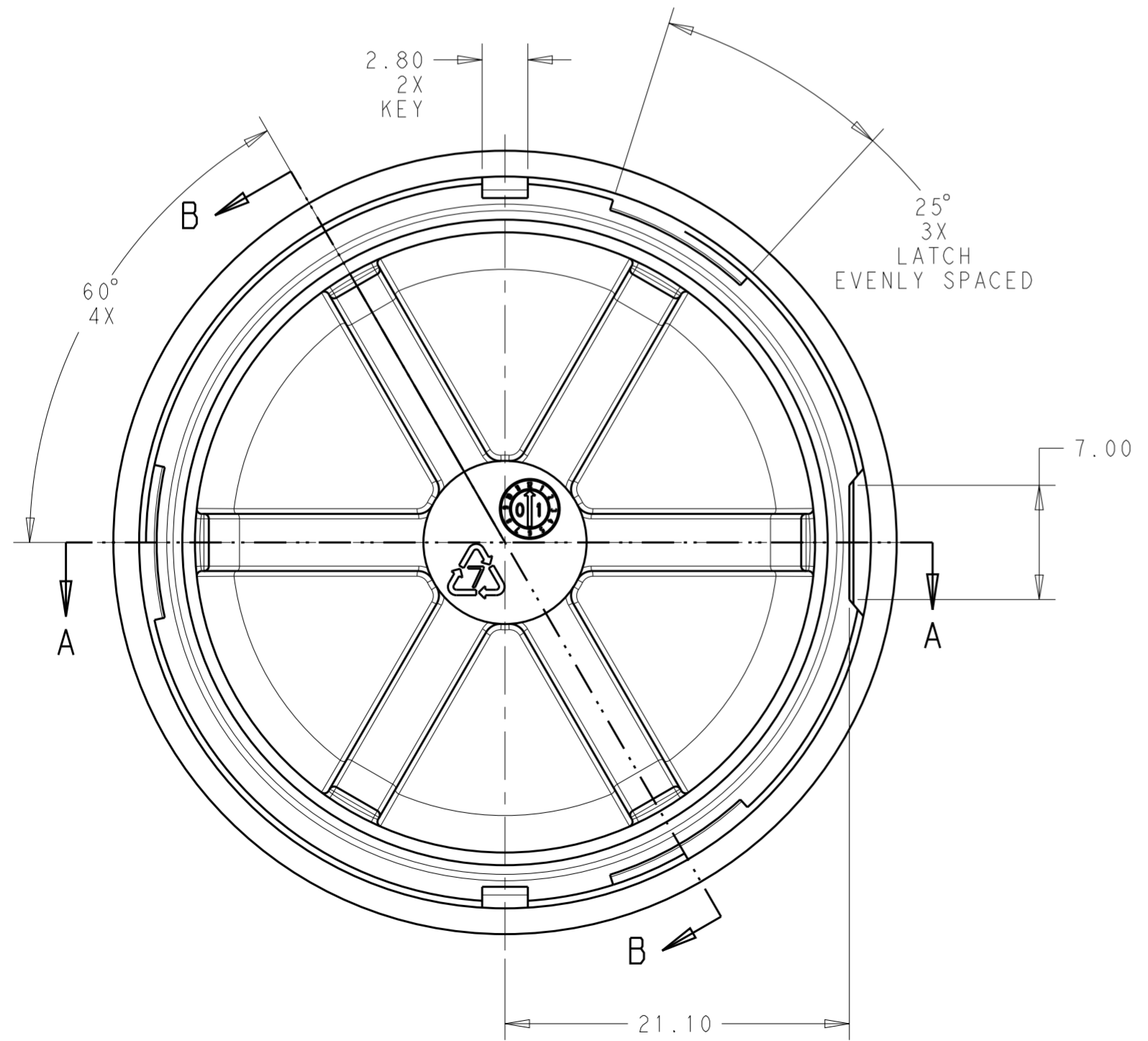
KEY DETAIL
SECTION A-A
SCALE 3:1



O-RING SEALING SURFACE
MUST BE SMOOTH AND
FREE OF DEFECTS



SECTION C-C
SCALE 5:1



PROPOSED PCB LAYOUT
SCALE 3:1

THIS DRAWING IS A CONTROLLED DOCUMENT.		DWN C. DAILY 18MAY2016	TE Connectivity	
		CHK M. MOSTOLLER 18MAY2016		
DIMENSIONS:	TOLERANCES UNLESS OTHERWISE SPECIFIED:	APVD -	NAME MODULE BASE ASSEMBLY, LUMAWISE ENDURANCE S 40mm DIAMETER	
mm	0 PLC ± 1 PLC ±0.2 2 PLC ±0.15 3 PLC ±0 4 PLC ±0	PRODUCT SPEC 108-133073	SIZE A2	CAGE CODE -
	ANGLES ±1° FINISH -	APPLICATION SPEC 114-133074	DRAWING NO C-2213837	RESTRICTED TO -
MATERIAL SEE NOTES	-	WEIGHT -	SCALE 3:1	SHEET 2 OF 2
		CUSTOMER DRAWING		REV 8